

SPECIFICATION SHEET

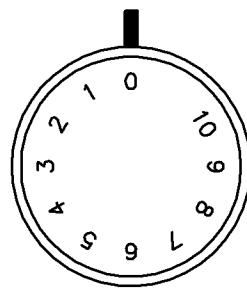
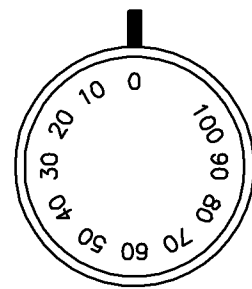
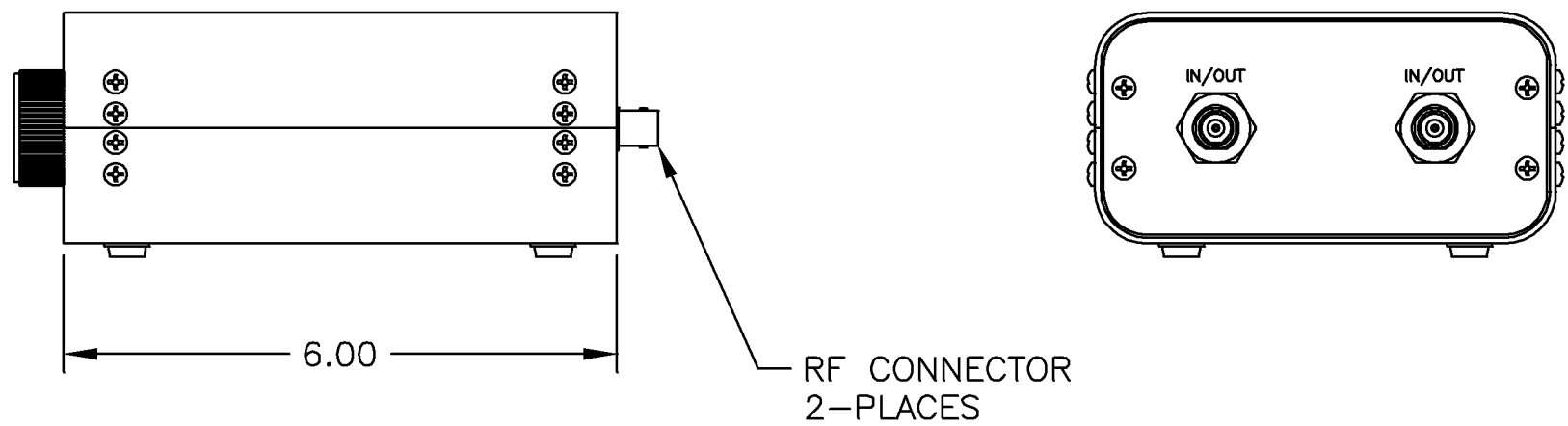
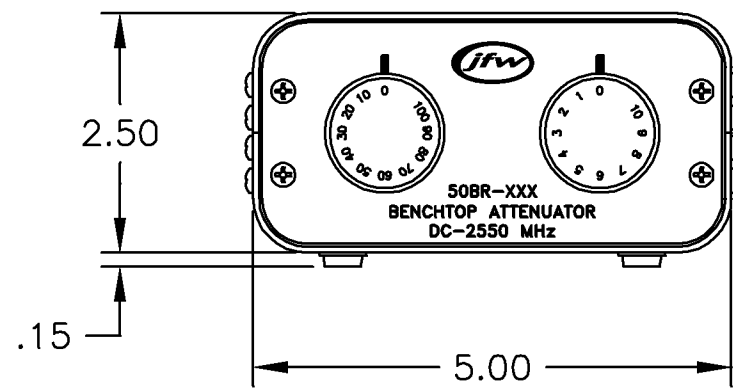
JFW MODEL 50BR-068

BENCH TOP ROTARY ATTENUATOR

JFW Industries, Inc.
Phone: 317-887-1340
sales@jfwindustries.com
www.jfwindustries.com


Frequency Range	DC-2550 MHz
Impedance	50 Ohms nominal
Attenuation Range	0-110 dB in 1 dB steps
VSWR	1.4:1 maximum DC-1000 MHz 1.6:1 maximum 1000-1500 MHz 1.8:1 maximum 1500-2550 MHz
Attenuation Accuracy	± 0.5 dB or 2% DC-1000 MHz ± 0.5 dB or 3% 1000-1500 MHz ± 0.5 dB or 4% 1500-2550 MHz (whichever is greater)
Insertion Loss	2.0 dB maximum 1.8 dB typical @ 2550 MHz
RF Input Power	2 Watts average 1000 Watts Peak
Direction of Rotation	Attenuation increases in a Clockwise direction
Indexing	30 degrees with stops at Minimum and maximum
RF Connector	BNC, N, SMA or TNC female
Operating Temperature Range	-20° to +85° C
Lifetime	500,000 attenuation steps (each knob)
Physical Size	See outline drawing 092-4394

ECR/ECN #	DATE	REV	APPR / DATE	ECR/ECN #	DATE	REV	APPR / DATE
14231	06/05/2007	A	TRS 06/05/2007	20173	05/26/2011	D	TRS 05/26/2011
17675	09/11/2009	B	TRS 09/11/2009	28157	10/05/2017	E	TRS 10/05/2017
19726	02/22/2011	C	TRS 02/22/2011	30591	08/12/2020	F	TRS 08/12/2020



KNOB DETAIL

REV	ECN	DATE	BY	APPR
-	ISSUED	2-2-04	TEZ	TEZ
A	28214	10-27-17	TEZ	TEZ

 JFW INDUSTRIES, INC. www.jfwindustries.com		PH: 317-887-1340	
		MATERIAL ALUMINUM ALLOY FINISH BLACK PAINT/FRONT & REAR: LIGHT GRAY PAINT MODEL 50BR-XXX DESCRIPTION 0-110dB BENCH MOUNT ATTEN.	
PROPRIETARY INFORMATION ALL SURFACES ARE TO BE FREE OF BURRS, PITS, & SCRATCHES TOLERANCES .XX±.010 .XXX±.005 XX±.5		SCALE 1/2 DWG # 092-4394	