

SPECIFICATION SHEET

JFW MODEL 50BR-092

BENCH TOP ROTARY ATTENUATOR

JFW Industries, Inc.
Phone: 317-887-1340
sales@jfwindustries.com
www.jfwindustries.com

Frequency Range DC-1000 MHz

Impedance 50 Ohms nominal

Attenuation Range 0-81 dB in 0.1 dB steps

VSWR 1.3:1 maximum DC-500 MHz
1.5:1 maximum 500-1000 MHz

Insertion Loss 1.9 dB maximum
0.5 dB typical @ DC
1.1 dB typical @ 500 MHz
1.5 dB typical @ 1000 MHz

Attenuation Accuracy ± 0.06 dB (0.1 dB steps)
± 0.3 dB (1 dB steps)
± 0.8 dB (10 dB steps)

RF Input Power 2 Watts average
1000 Watts peak

Direction of Rotation Attenuation increases in a Clockwise direction

Indexing 30 degrees with stops at Minimum and maximum

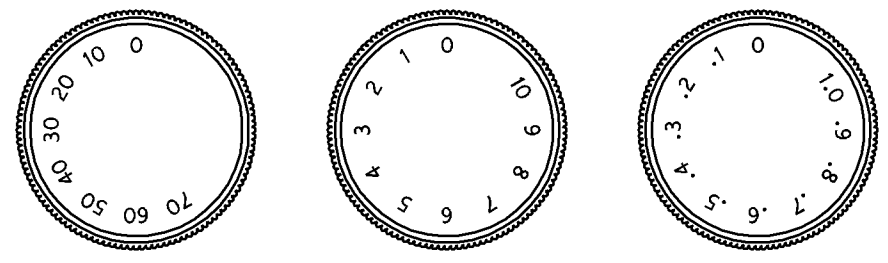
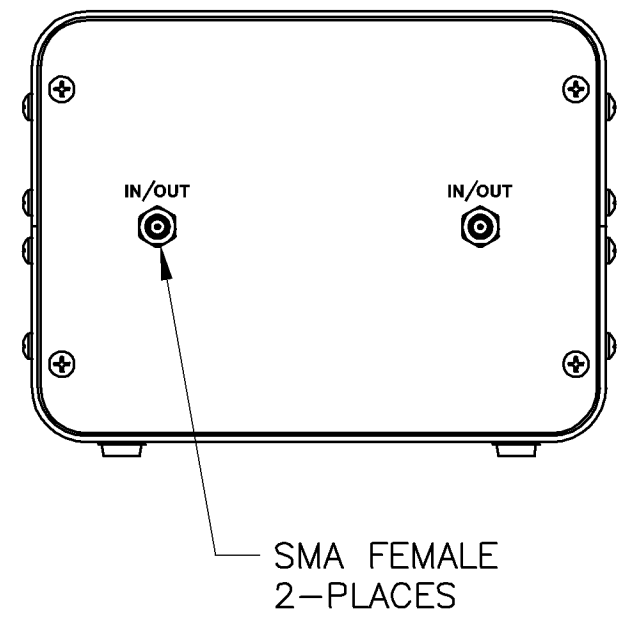
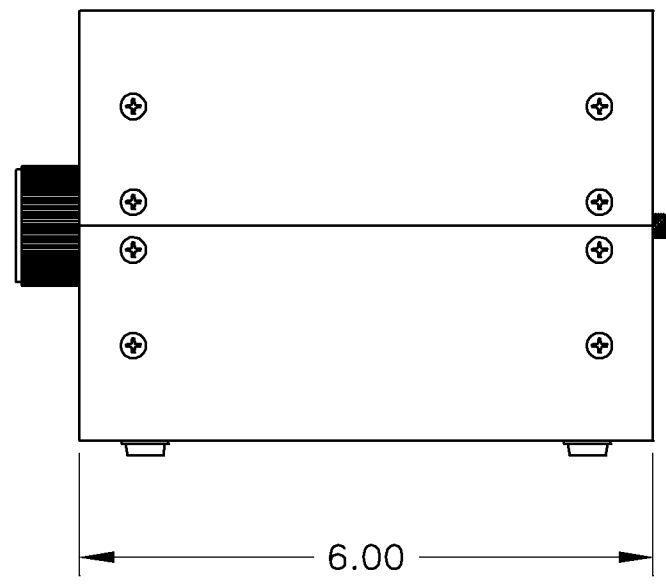
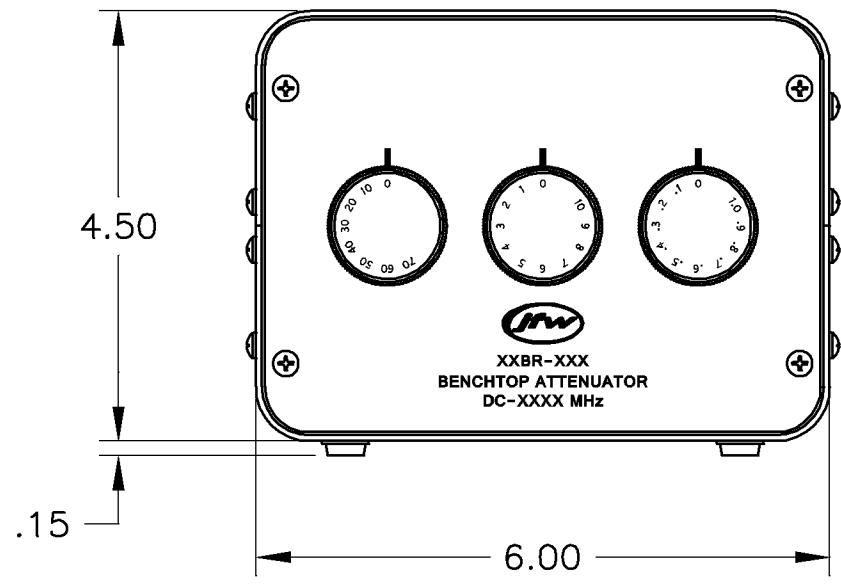
RF Connector N, BNC, SMA or TNC female

Operating Temperature Range -20°C to +85°C


Lifetime 500,000 attenuation steps (each knob)

Physical Size See outline drawing 092-5273

ECR/ECN #	DATE	REV	APPR / DATE	ECR/ECN #	DATE	REV	APPR / DATE
17479	07/28/2009	C	TRS 07/28/2009	28157	10/05/2017	F	TRS 10/05/2017
18099	01/14/2010	D	TRS 01/14/2010	28934	08/07/2018	G	TRS 08/07/2018
24784	12/09/2014	E	TRS 12/09/2014	30571	08/04/2020	H	TRS 08/04/2020



KNOB DETAIL

REV	ECN	DATE	BY	APPR	 JFW INDUSTRIES, INC. www.jfwindustries.com PH: 317-887-1340	
-	ISSUED	12-12-06	BZ	TEZ	MATERIAL ALUMINUM ALLOY FINISH CASE: BLACK PAINT / FRONT & REAR: GRAY PAINT MODEL 50BR-XXX SCALE 1/2 DESCRIPTION BENCH ROTARY ATTENUATOR	
A	25260	2-3-21	JZ	JZ		