

**SPECIFICATION SHEET**

**JFW MODEL 50BR-112**

**BENCH TOP ROTARY ATTENUATOR**

JFW Industries, Inc.  
Phone: 317-887-1340  
sales@jfwindustries.com  
www.jfwindustries.com

Frequency Range DC-2700 MHz

Impedance 50 Ohms nominal

Attenuation Range 0-110 dB in 1 dB steps

VSWR  
1.5:1 maximum DC-700 MHz  
1.8:1 maximum 700-2700 MHz  
  
< 1.3:1 typical @ 700 MHz  
< 1.6:1 typical @ 2700 MHz

Attenuation Accuracy  
1 dB steps ± 0.5 dB  
10 dB steps ± 0.7 dB or 3%

Insertion Loss  
2.2 dB maximum  
0.75 dB typical @ 700 MHz  
1.95 dB typical @ 2700 MHz

RF Input Power  
2 Watts average  
1000 Watts Peak

Direction of Rotation  
Attenuation increases in a Clockwise direction

Indexing  
30 degrees with stops at  
Minimum and maximum

RF Connector  
BNC, N, SMA or TNC

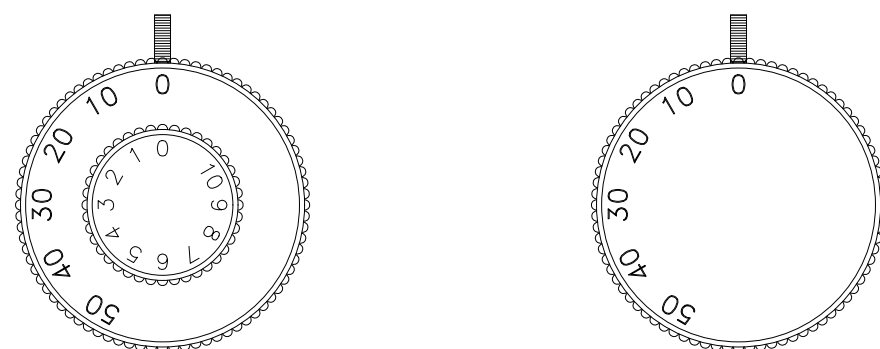
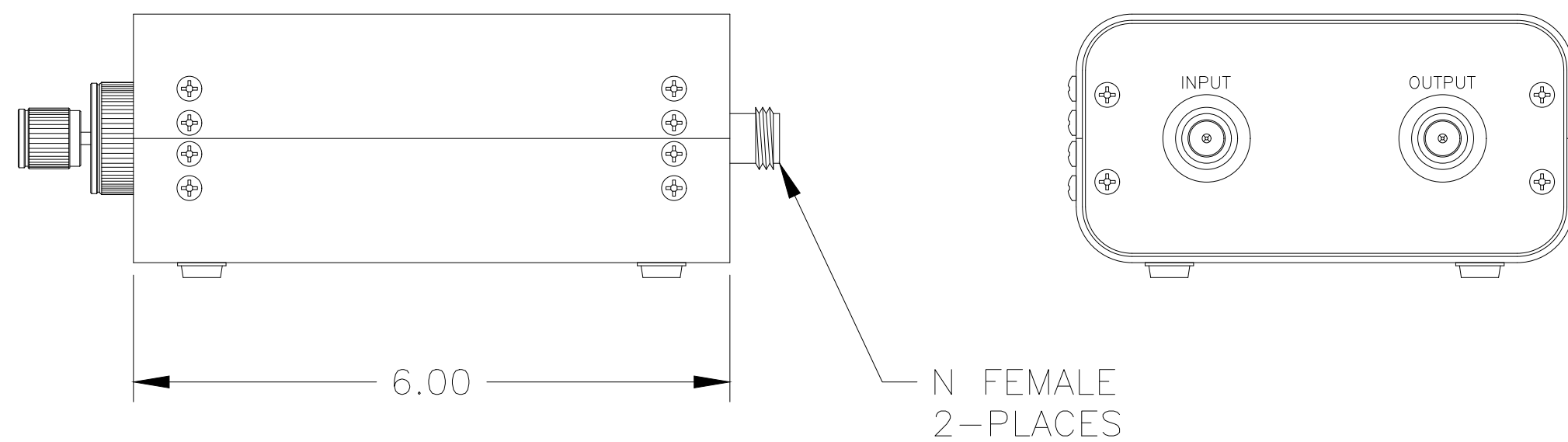
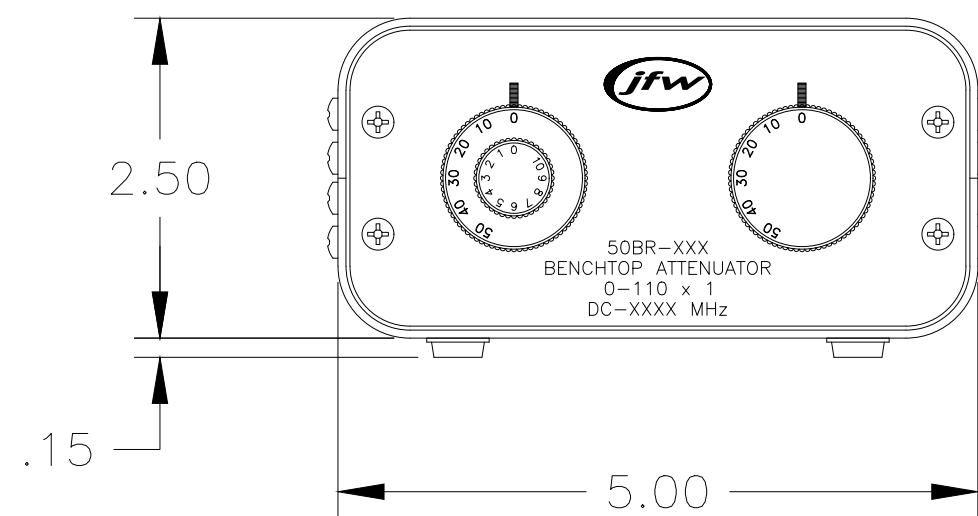
Available Model Numbers  
50BR-112 BNC (BNC female/female)  
50BR-112 N (N female/female)  
50BR-112 N M/M (N male/male)  
50BR-112 SMA (SMA female/female)  
50BR-112 TNC (TNC female/female)

Operating Temperature Range -20°C to +85°C


Lifetime 500,000 attenuation steps (each knob)

Physical Size  
See outline drawings:  
092-6147 (50BR-112 N)  
092-8099 (50BR-112 N M/M)

ECR/ECN #	DATE	REV	APPR / DATE	ECR/ECN #	DATE	REV	APPR / DATE
	04/28/2009		TRS 04/28/2009	28157	10/05/2017	C	TRS 10/05/2017
20060	05/04/2011	A	TRS 05/04/2011				
24553	09/23/2014	B	TRS 09/23/2014				



KNOB DETAIL

REV	ECN	DATE	BY	APPR	 <b>JFW INDUSTRIES, INC.</b> <a href="http://www.jfwindustries.com">www.jfwindustries.com</a> PH: 317-887-1340	
-	ISSUED	3-25-09	BZ	TRS		
					MATERIAL	ALUMINUM ALLOY
					FINISH	CASE: BLACK PAINT / FRONT & REAR: GRAY PAINT
					MODEL	50BR-XXX
					SCALE	1/2
					DESCRIPTION	BENCH MOUNT ATTENUATOR 0-110X1dB
						PROPRIETARY INFORMATION ALL SURFACES ARE TO BE FREE OF BURRS, PITS, & SCRATCHES TOLERANCES .XX±.010 .XXX±.005 XX'±.5' DWG # 092-6147