

SPECIFICATION SHEET

JFW MODEL 50BR-147

BENCH TOP ROTARY ATTENUATOR

JFW Industries, Inc.
Phone: 317-887-1340
sales@jfwindustries.com
www.jfwindustries.com

Frequency Range DC-3000 MHz

Impedance 50 Ohms nominal

Attenuation Range 0-110 dB in 1 dB steps

VSWR
1.9:1 maximum
1.7:1 typical (up to 20 dB)
1.6:1 typical (up to 50 dB)
1.2:1 typical (up to 110 dB)

Attenuation Accuracy
1 dB steps: ± 0.5 dB maximum
10 dB steps: ± 1.0 dB or 4% maximum
± 0.5 dB or 2% typical

Insertion Loss
3.0 dB maximum
0.8 dB typical @ 700 MHz
2.2 dB typical @ 3000 MHz

RF Input Power
2 Watts average
1000 Watts Peak

Direction of Rotation
Attenuation increases in a Clockwise direction

Indexing
30 degrees with stops at
Minimum and maximum

RF Connector
N, SMA or TNC

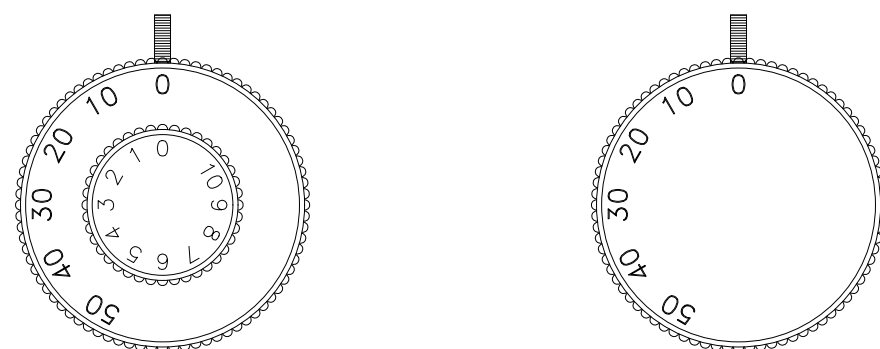
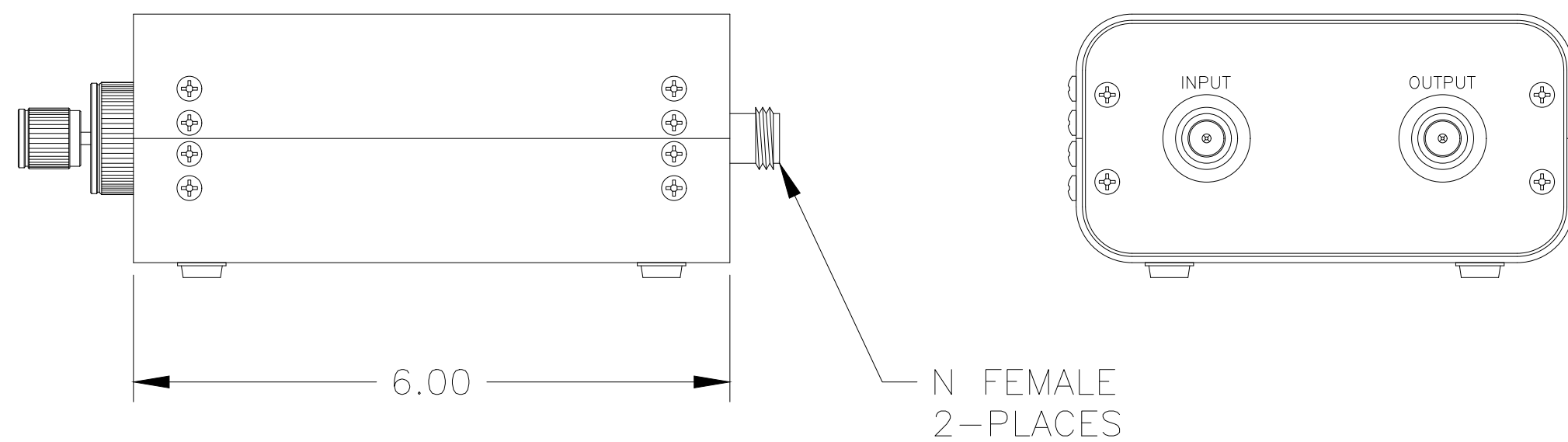
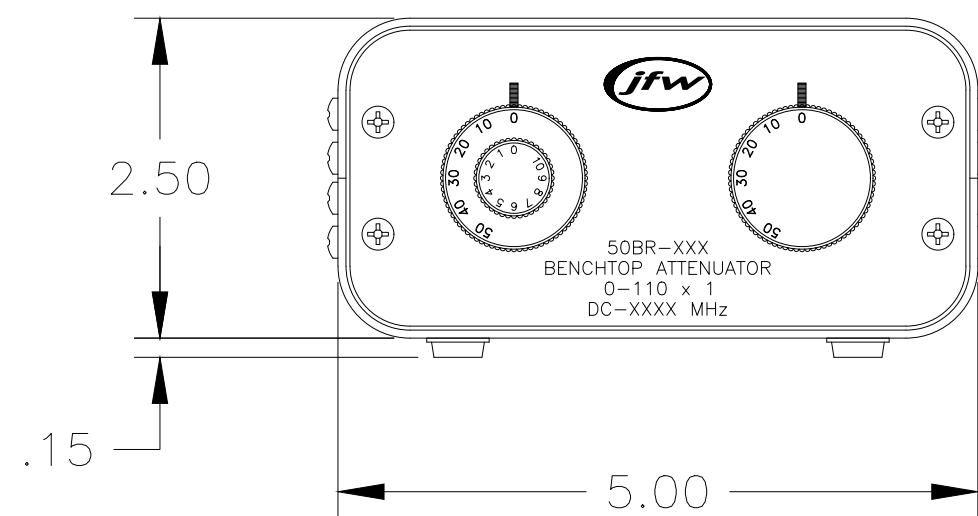
Available Model Numbers
50BR-147 N (N female/female)
50BR-147 SMA (SMA female/female)
50BR-147 TNC (TNC female/female)

Operating Temperature Range -20°C to +85°C


Lifetime
500,000 attenuation steps (each knob)

Outline Drawing Number
092-6147 (50BR-147 N)

ECR/ECN #	DATE	REV	APPR / DATE	ECR/ECN #	DATE	REV	APPR / DATE
	04/22/2016		TRS 04/22/2016				
28157	10/05/2017	A	TRS 10/05/2017				
30503	07/02/2020	B	TRS 07/02/2020				



KNOB DETAIL

REV	ECN	DATE	BY	APPR	 JFW INDUSTRIES, INC. www.jfwindustries.com PH: 317-887-1340	
-	ISSUED	3-25-09	BZ	TRS		
					MATERIAL	ALUMINUM ALLOY PROPRIETARY INFORMATION
					FINISH	CASE: BLACK PAINT / FRONT & REAR: GRAY PAINT ALL SURFACES ARE TO BE FREE OF BURRS, PITS, & SCRATCHES
					MODEL	50BR-XXX SCALE 1/2 TOLERANCES .XX±.010 .XXX±.005 XX'±.5'
					DESCRIPTION	BENCH MOUNT ATTENUATOR 0-110X1dB DWG # 092-6147