

SPECIFICATION SHEET

JFW MODEL 50C-045-XX

BI-DIRECTIONAL RESISTIVE COUPLER

JFW Industries, Inc.
Phone: 317-887-1340
sales@jfwindustries.com
www.jfwindustries.com

Frequency Range DC-6 GHz

Impedance 50 Ohms nominal

Coupling Value 25 dB

VSWR IN/OUT Ports 1.35:1 maximum
1.25:1 typical

Coupled Port 1.5:1 maximum
1.3:1 typical

Insertion Loss 1.0 dB maximum
0.53 dB typical @ DC
0.62 dB typical @ 2 GHz
0.74 dB typical @ 6 GHz

Coupling Flatness ± 1.5 dB DC-2 GHz
± 1.0 dB 2-6 GHz

24.43 dB typical @ DC
25.09 dB typical @ 2 GHz
25.59 dB typical @ 6 GHz

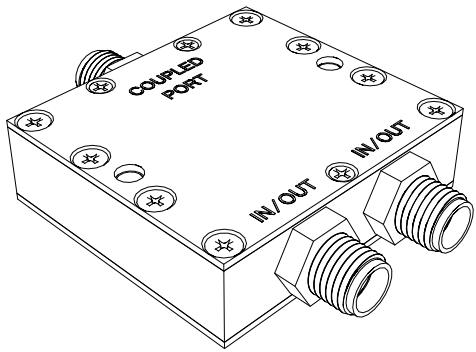
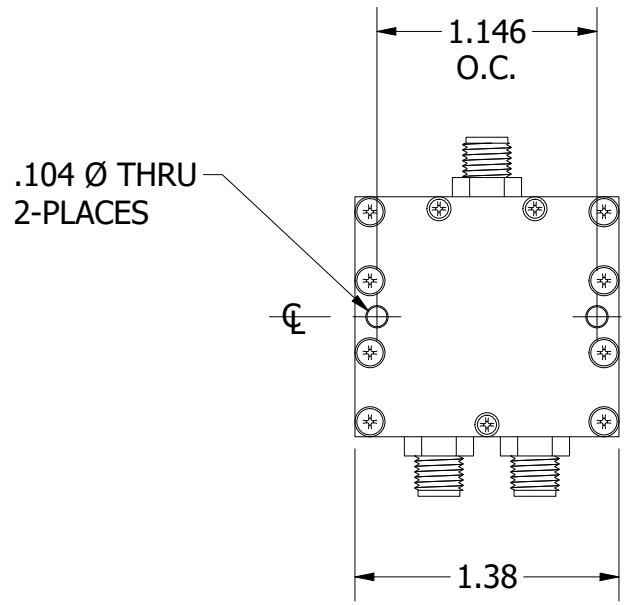
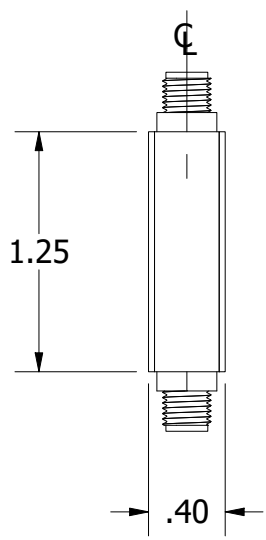
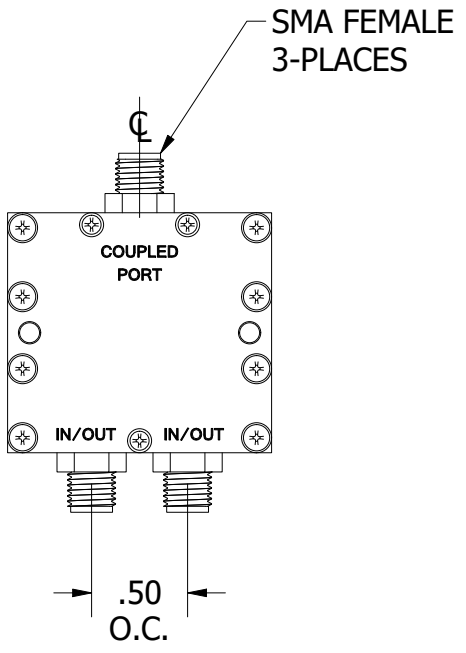
RF Input Power 1 Watt average

RF Connector SMA


Operating Temperature Range -40°C to +85°C

Physical Size See outline drawing 092-6392

ECR/ECN #	DATE	REV	APPR / DATE	ECR/ECN #	DATE	REV	APPR / DATE
	12/01/2009		TRS 12/01/2009				
18630	05/07/2010	A	TRS 05/07/2010				
30585	08/12/2020	B	TRS 08/12/2020				



REV	ECN	DATE	BY	APPR
-	ISSUED	12-01-09	DTS	TRS
A	24444	9-18-19	GM	XX

		<h1>JFW INDUSTRIES, INC.</h1>	
		www.jfwindustries.com	
<p>PH: 317-887-1340</p>		<p>PROPRIETARY INFORMATION</p>	
<p>MATERIAL</p>		<p>ALUMINUM ALLOY</p>	
<p>FINISH</p>		<p>ELECTROLESS NICKEL</p>	
<p>MODEL</p>		<p>50C-XXX-XX</p>	
<p>DESCRIPTION</p>		<p>RESISTIVE COUPLER</p>	
<p>SCALE</p>		<p>FULL</p>	
<p>TOLERANCES</p>		<p>.XX±.010 .XXX±.005 XX°±.5°</p>	
<p>DWG #</p>		<p>092-6392</p>	