

SPECIFICATION SHEET

JFW MODEL 50D-050

DETECTOR

JFW Industries, Inc.
Phone: 317-887-1340
sales@jfwindustries.com
www.jfwindustries.com

Frequency Range 1-1000 MHz

Impedance 50 Ohms nominal

VSWR 1.2:1 maximum 1-1000 MHz

Flatness ± 0.2 dB

Typical Output Voltage

(-20 dBm)	0.006 V
(-10 dBm)	0.050 V
(0 dBm)	0.220 V
(+10 dBm)	0.840 V
(+20 dBm)	2.650 V

Output Capacitance 1000 pF nominal

DC Output Polarity Positive or Negative
(customer to specify)

RF Input Power 100 mW maximum

RF Input Connector BNC, TNC, N or SMA male or female

DC Output Connector BNC, TNC, N, or SMA female

Operating Temperature Range -40°C to +85°C

Storage Temperature Range -55°C to +85°C

Humidity 0 to 95% (Non-Condensing)

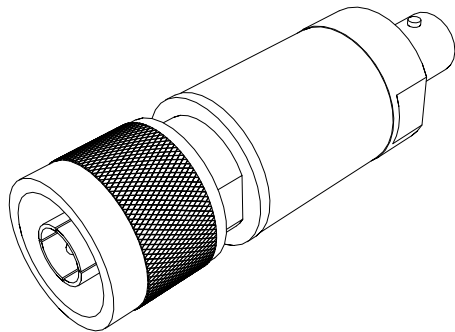
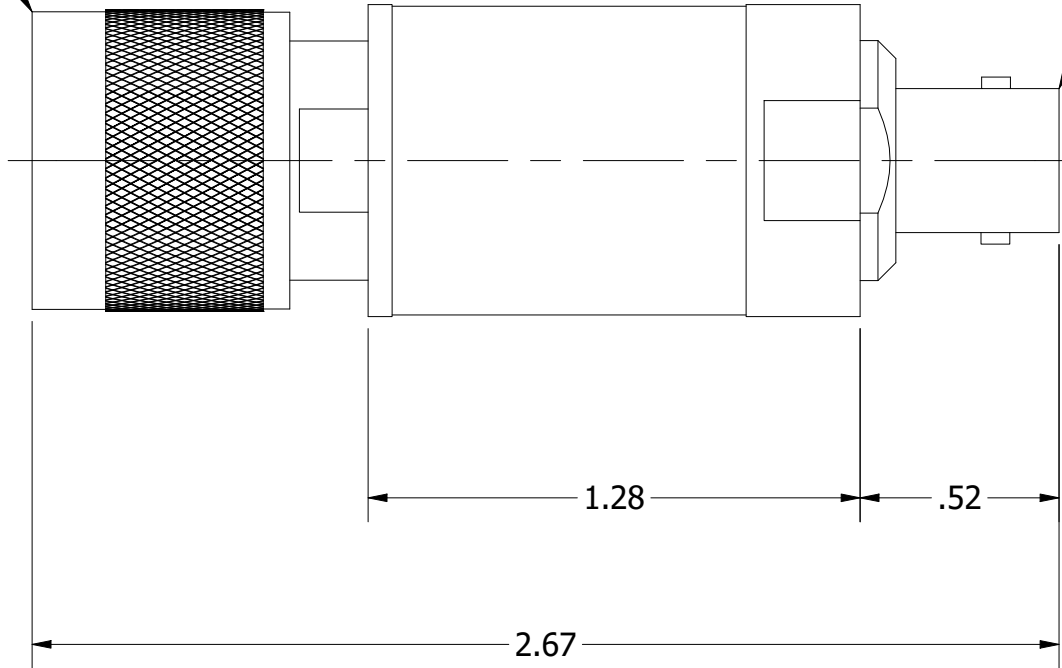
Outline Drawing Numbers 092-3134 (Connector Chart)

092-5252 (BNC M / BNC F)
092-5251 (N M / BNC F)
092-5402 (SMA M / BNC F)
092-4276 (SMA M / SMA F)

ECR/ECN #	DATE	REV	APPR / DATE	ECR/ECN #	DATE	REV	APPR / DATE
15350	02/11/2008	B	CLK 02/11/2008	23449	11/11/2013	E	BAC 11/11/2013
18130	01/19/2010	C	SMR 01/19/2010	26700	06/08/2016	F	CLK 06/08/2016
23218	09/05/2013	D	BAC 09/05/2013	27494	01/23/2017	G	TRS 01/23/2017

N MALE

BNC FEMALE



REV	ECN	DATE	BY	APPR
-	ISSUED	11-20-06	TEZ	TEZ
A	24444	9-16-19	GM	TEZ



JFW INDUSTRIES, INC.

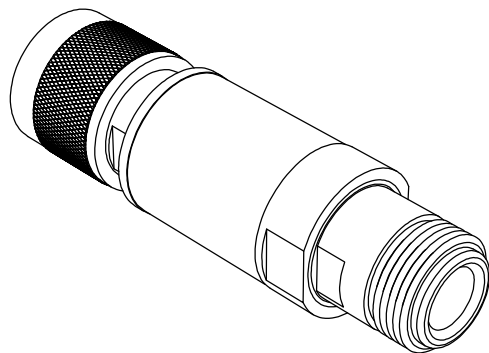
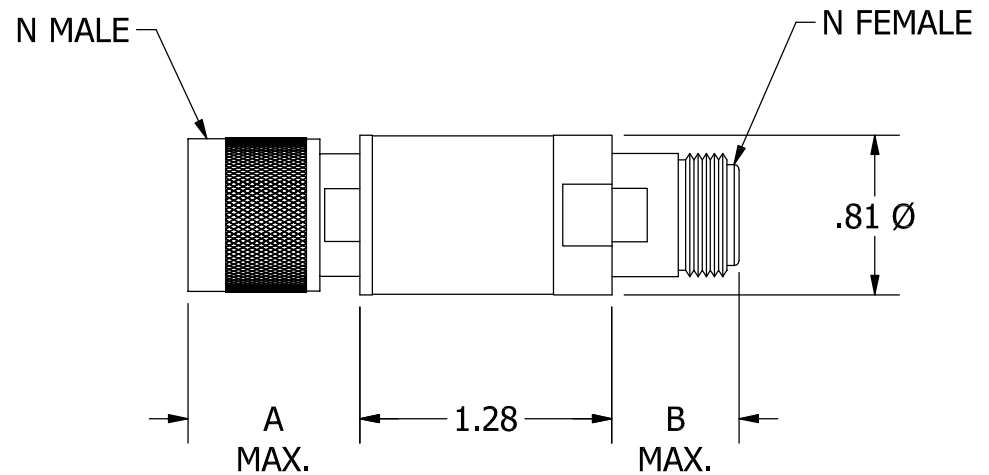
www.jfwindustries.com

PH: 317-887-1340

MATERIAL	BRASS	PROPRIETARY INFORMATION
FINISH	NICKEL	ALL SURFACES ARE TO BE FREE OF BURRS, PITS & SCRATCHES
MODEL	50D-XXX	TOLERANCES .XX±.010 .XXX±.005 XX°±.5°
DESCRIPTION	N MALE / BNC FEMALE	DWG # 092-5251

SCALE FULL

CONNECTOR	DIM. A	DIM. B
SMA MALE	.51	.51
SMA FEMALE	.47	.47
BNC MALE	.78	.75
BNC FEMALE	.61	.61
TNC MALE	.75	.75
TNC FEMALE	.55	.55
N MALE	.91	N/A
N FEMALE	.68	.68
7/16 MALE	1.26	N/A
7/16 FEMALE	1.17	N/A
4.1/9.5 MALE	.91	N/A
4.1/9.5 FEMALE	.91	N/A
4.3/10 MALE	1.02	N/A
4.3/10 FEMALE	.96	N/A
F MALE	.47	.47
F FEMALE	.56	.56



REV	ECN	DATE	BY	APPR
-	ISSUED	9-1-99	MH	FDW
A	6144	11-15-99	TEZ	FDW
B	6941	12-12-01	MAH	TEZ
C	23948	3-27-14	JZ	TEZ
D	26370	3-7-16	JZ	TEZ
E	26706	6-9-16	JZ	CLK
F	26796	6-7-16	JZ	TEZ
G	26869	7-26-16	TB	TEZ
H	27494	1-23-17	JZ	TRS



JFW INDUSTRIES, INC.

www.jfwindustries.com

PH: 317-887-1340

MATERIAL	PROPRIETARY INFORMATION
FINISH	ALL SURFACES ARE TO BE FREE OF BURRS, PITS & SCRATCHES
MODEL	TOLERANCES .XX±.010 .XXX±.005 XX°±.5°
DESCRIPTION	DWG #
VARIOUS	092-3134

SCALE
FULL