

SPECIFICATION SHEET

JFW MODEL 50D-052

DETECTOR

JFW Industries, Inc.
Phone: 317-887-1340
sales@jfwindustries.com
www.jfwindustries.com

Frequency Range 1-3000 MHz

Impedance 50 Ohms nominal

VSWR 1.2:1 maximum 1-1000 MHz
1.3:1 maximum 1000-2000 MHz
1.4:1 maximum 2000-3000 MHz

Flatness ± 0.2 dB 1-500 MHz
± 0.3 dB 500-2000 MHz
± 0.5 dB 2000-3000 MHz

Typical Sensitivity
(-20 dBm) 0.006 V
(-10 dBm) 0.050 V
(0 dBm) 0.220 V
(+10 dBm) 0.840 V
(+20 dBm) 2.650 V

Output Capacitance 1000 pF nominal

DC Output Polarity Positive or Negative
(customer to specify)

RF Input Power 100 mW

RF Input Connector TNC, N, BNC or SMA male

DC Output Connector TNC, SMA, BNC or N female

Operating Temperature Range -40°C to +85°C

Storage Temperature Range -55°C to +85°C

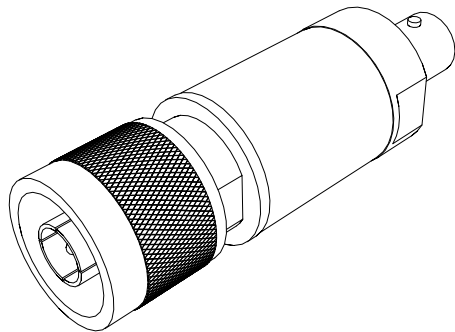
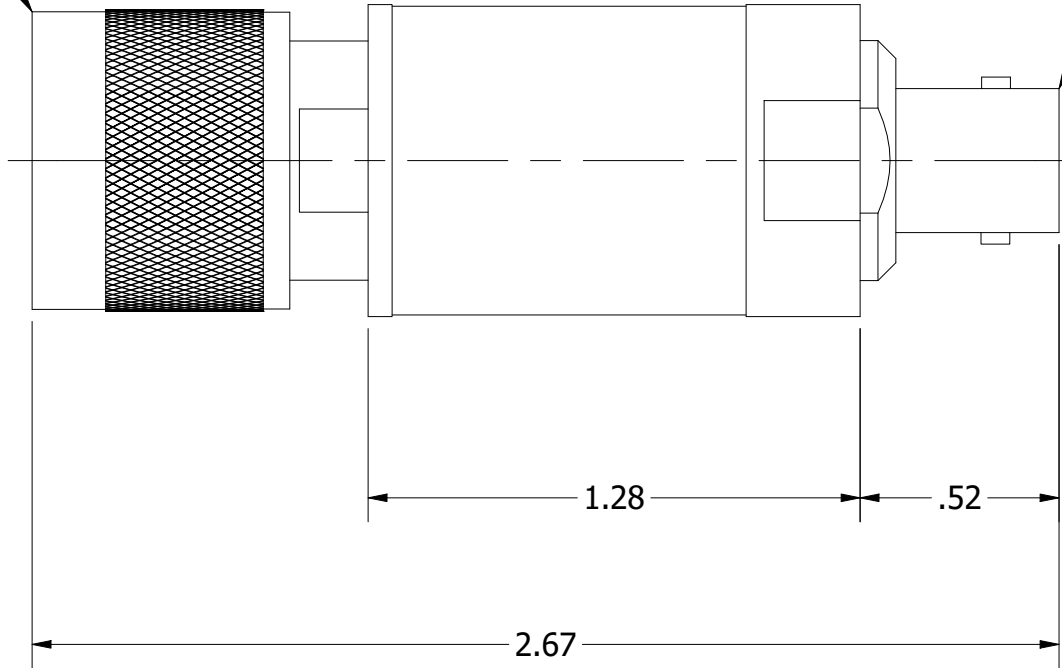
Humidity 0 to 95% (Non-Condensing)

Outline Drawing Numbers 092-3134 (Connector Chart)
092-5251 (N M / BNC F)
092-5252 (BNC M / BNC F)
092-5402 (SMA M / BNC F)

| ECR/ECN # | DATE | REV | APPR / DATE | ECR/ECN # | DATE | REV | APPR / DATE |
|-----------|------------|-----|----------------|-----------|------------|-----|----------------|
| 14148 | 05/02/2007 | A | CLK 05/02/2007 | 23449 | 11/11/2013 | D | BAC 11/11/2013 |
| 15350 | 02/11/2008 | B | CLK 02/11/2008 | 26700 | 06/08/2016 | E | CLK 06/08/2016 |
| 23218 | 09/05/2013 | C | BAC 09/05/2013 | 27494 | 01/23/2017 | F | TRS 01/23/2017 |

N MALE

BNC FEMALE



| REV | ECN | DATE | BY | APPR |
|-----|--------|----------|-----|------|
| - | ISSUED | 11-20-06 | TEZ | TEZ |
| A | 24444 | 9-16-19 | GM | TEZ |
| | | | | |
| | | | | |
| | | | | |
| | | | | |
| | | | | |
| | | | | |
| | | | | |
| | | | | |



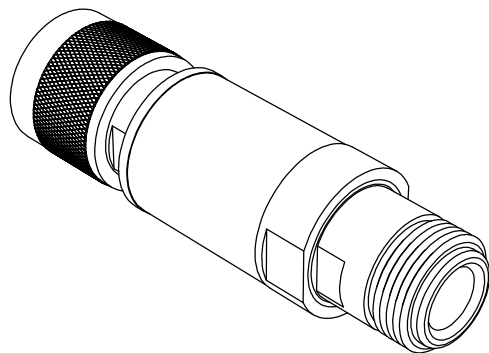
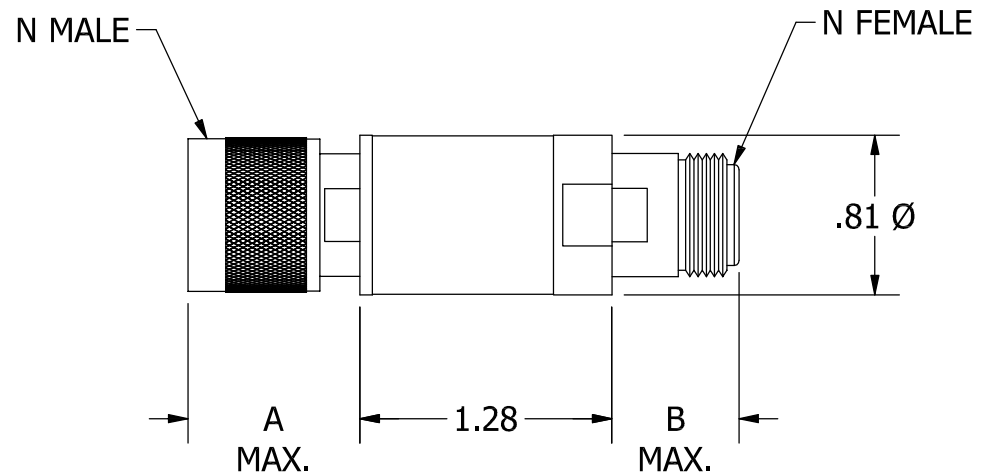
JFW INDUSTRIES, INC.

www.jfwindustries.com

PH: 317-887-1340

| | | |
|-------------|---------------------|--|
| MATERIAL | BRASS | PROPRIETARY INFORMATION |
| FINISH | NICKEL | ALL SURFACES ARE TO BE FREE OF BURRS, PITS & SCRATCHES |
| MODEL | 50D-XXX | TOLERANCES .XX±.010 .XXX±.005 XX°±.5° |
| DESCRIPTION | N MALE / BNC FEMALE | DWG # 092-5251 |
| SCALE | FULL | |

| CONNECTOR | DIM. A | DIM. B |
|----------------|--------|--------|
| SMA MALE | .51 | .51 |
| SMA FEMALE | .47 | .47 |
| BNC MALE | .78 | .75 |
| BNC FEMALE | .61 | .61 |
| TNC MALE | .75 | .75 |
| TNC FEMALE | .55 | .55 |
| N MALE | .91 | N/A |
| N FEMALE | .68 | .68 |
| 7/16 MALE | 1.26 | N/A |
| 7/16 FEMALE | 1.17 | N/A |
| 4.1/9.5 MALE | .91 | N/A |
| 4.1/9.5 FEMALE | .91 | N/A |
| 4.3/10 MALE | 1.02 | N/A |
| 4.3/10 FEMALE | .96 | N/A |
| F MALE | .47 | .47 |
| F FEMALE | .56 | .56 |



| REV | ECN | DATE | BY | APPR |
|-----|--------|----------|-----|------|
| - | ISSUED | 9-1-99 | MH | FDW |
| A | 6144 | 11-15-99 | TEZ | FDW |
| B | 6941 | 12-12-01 | MAH | TEZ |
| C | 23948 | 3-27-14 | JZ | TEZ |
| D | 26370 | 3-7-16 | JZ | TEZ |
| E | 26706 | 6-9-16 | JZ | CLK |
| F | 26796 | 6-7-16 | JZ | TEZ |
| G | 26869 | 7-26-16 | TB | TEZ |
| H | 27494 | 1-23-17 | JZ | TRS |
| | | | | |
| | | | | |
| | | | | |
| | | | | |



JFW INDUSTRIES, INC.

www.jfwindustries.com

PH: 317-887-1340

| | |
|-------------|--|
| MATERIAL | PROPRIETARY INFORMATION |
| FINISH | ALL SURFACES ARE TO BE FREE OF BURRS, PITS & SCRATCHES |
| MODEL | TOLERANCES .XX±.010 .XXX±.005 XX°±.5° |
| DESCRIPTION | DWG # |
| VARIOUS | 092-3134 |

SCALE
FULL