

SPECIFICATION SHEET
JFW MODEL 50DR-055
DUAL ROTARY ATTENUATOR

JFW Industries, Inc.
 Phone: 317-887-1340
 sales@jfwindustries.com
 www.jfwindustries.com

Frequency Range DC-2000 MHz

Impedance 50 Ohms nominal

Attenuation Range 0-30 dB in 1 dB steps

VSWR 1.3:1 maximum DC-1000 MHz
 1.5:1 maximum 1000-2000 MHz

Insertion Loss 0.8 dB maximum

Attenuation Accuracy ± 0.25 dB or 2% DC-1000 MHz
 ± 0.40 dB or 3% 1000-2000 MHz
 (whichever is greater)

RF Input Power 2 Watts average
 1000 Watts peak

Direction of Rotation Attenuation increases in a Clockwise direction

Indexing 30 degrees with stops at
 Minimum and maximum

RF Connector* SMA, BNC, TNC, RPT, N or 4.1/9.5 Mini-DIN
 female
 RPT female = Reverse Polarity TNC female
 (female body/male pin)

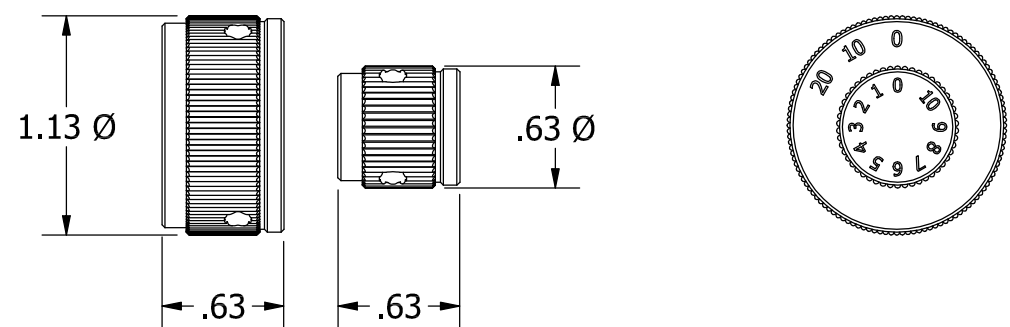
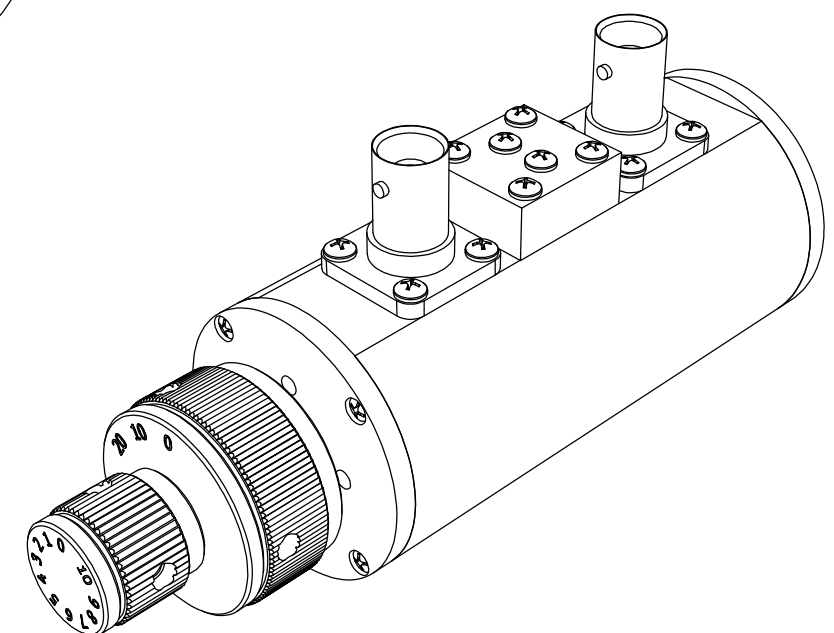
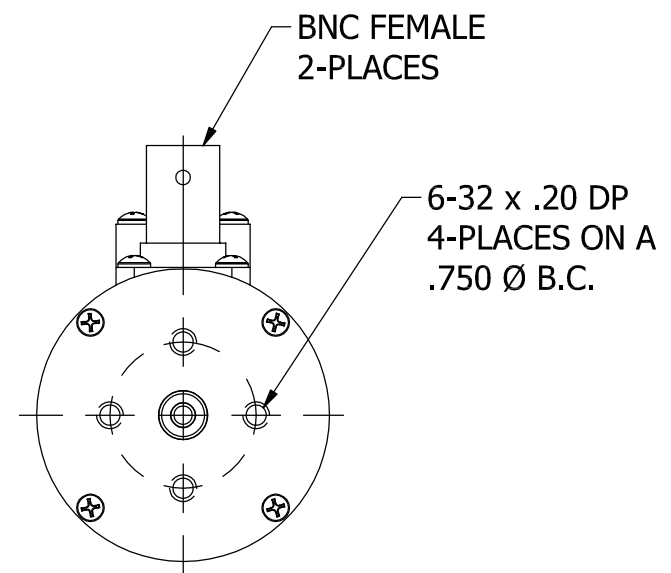
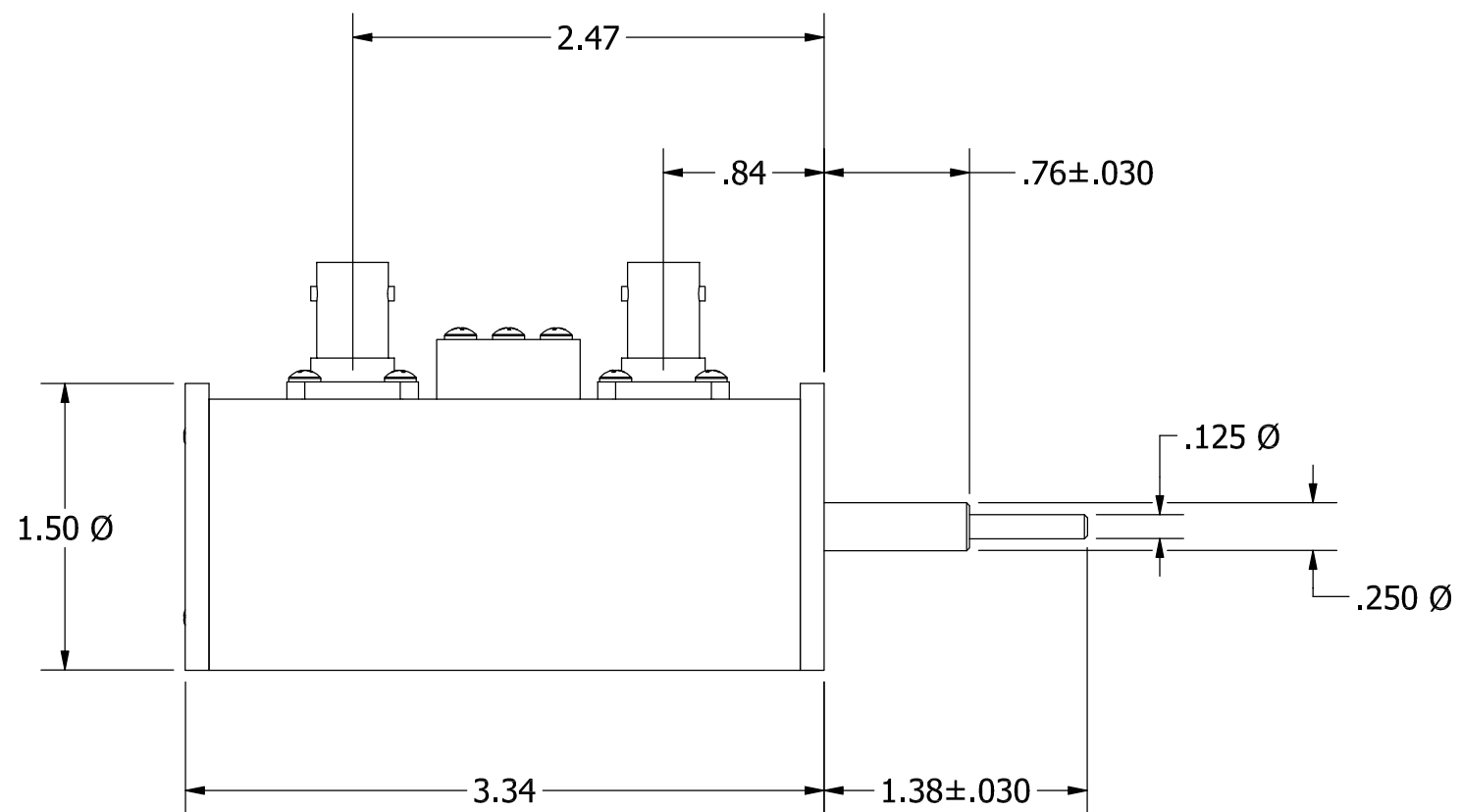
Operating Temperature Range -20°C to +85°C

Lifetime 500,000 attenuation steps (each knob)

Knob/Panel Mounting Drawing 092-8435-02


Outline Drawings 092-1748 (50DR-055 SMA)
 092-5760 (50DR-055 BNC)
 092-6720 (50DR-055 N)
 092-6733 (50DR-055 RPT)
 092-8367 (50DR-055 4.1/9.5)

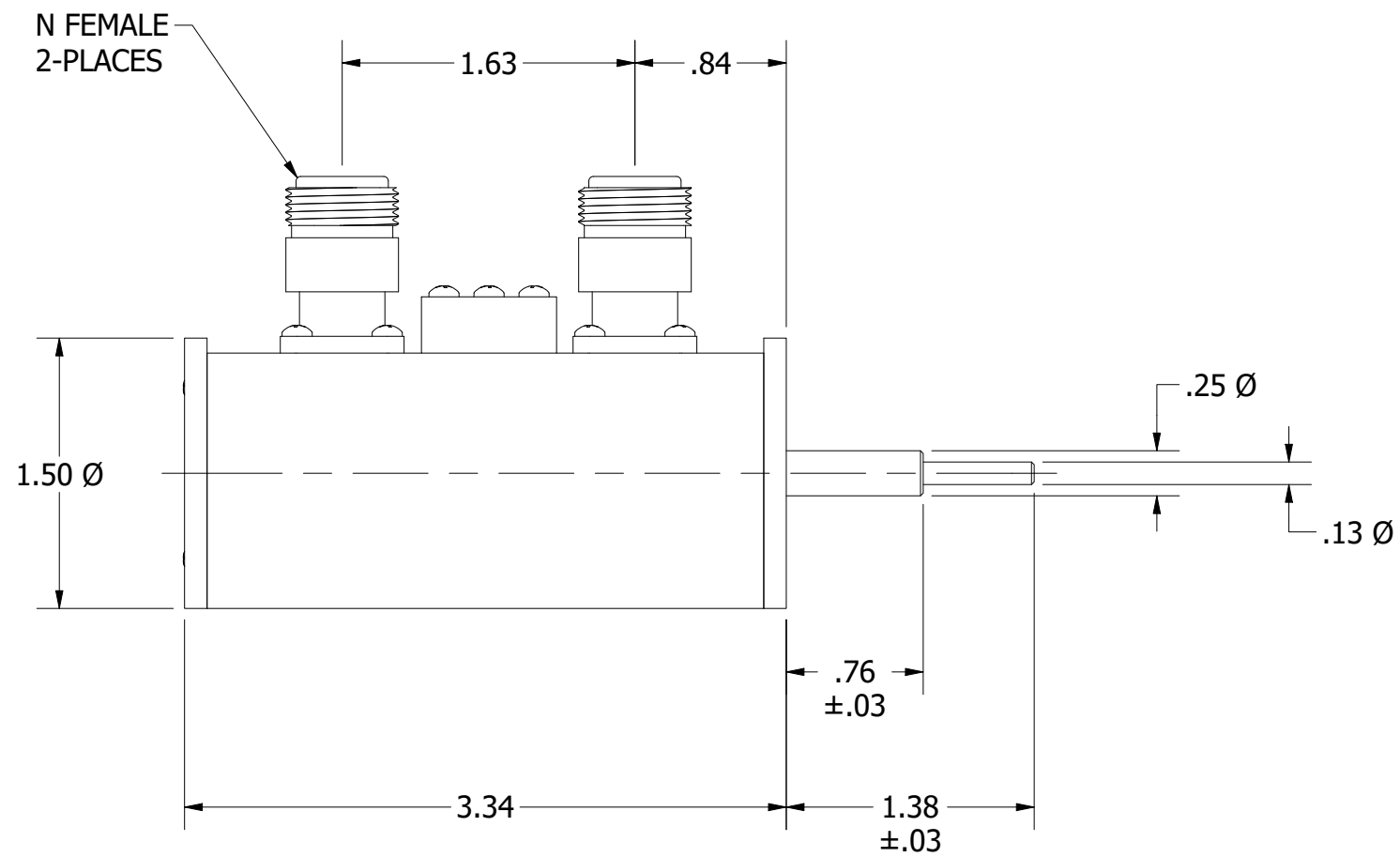
ECR/ECN #	DATE	REV	APPR / DATE	ECR/ECN #	DATE	REV	APPR / DATE
15655	04/09/2008	C	TRS 04/09/2008	25572	07/28/2015	F	TRS 07/28/2015
19163	09/22/2010	D	TRS 09/22/2010	25776	09/28/2015	G	TRS 09/29/2015
19178	09/28/2010	E	TRS 09/28/2010	28157	10/05/2017	H	TRS 10/05/2017



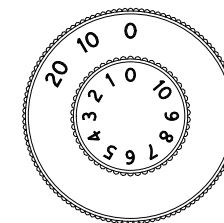
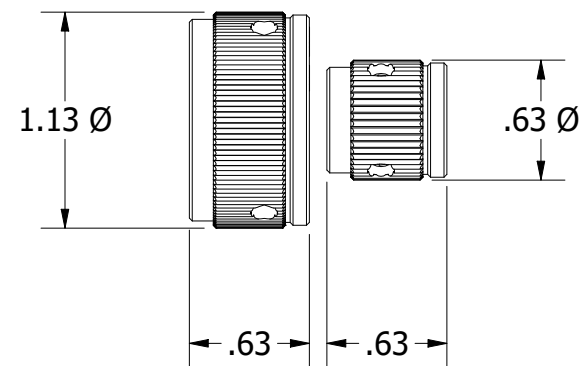
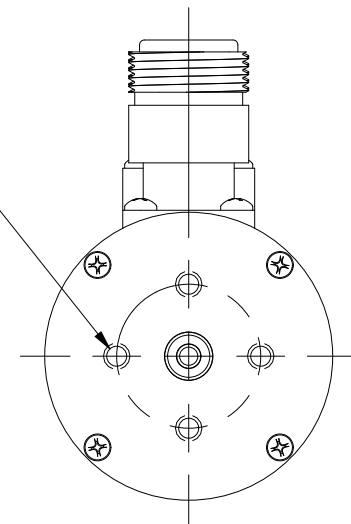
KNOB DETAIL

REV	ECN	DATE	BY	APPR
-	ISSUED	4-9-08	TEZ	TRS
A	24444	9-17-15	JZ	TEZ

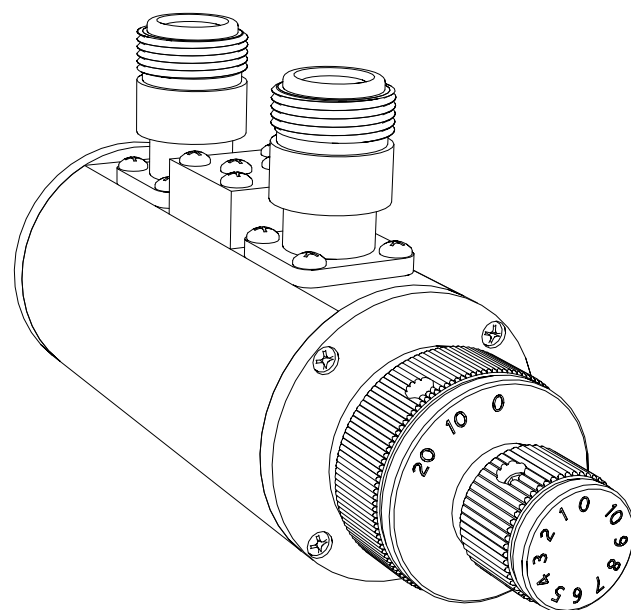
		JFW INDUSTRIES, INC. www.jfwindustries.com		PH: 317-887-1340
		MATERIAL ALUMINUM ALLOY		PROPRIETARY INFORMATION
FINISH CHEMFILM TCP		MODEL 50DR-XXX		SCALE FULL
DESCRIPTION 0-30dB ROTARY ATTEN.		TOLERANCES .XX±.010 .XXX±.005 XX°±.5°		DWG # 092-5760



6-32 x .20 DP
4-PLACES ON
A .750 Ø B.C.



Knob Detail



REV	ECN	DATE	BY	APPR
-	ISSUED	9-22-10	TEZ	TEZ
A	24444	9-18-19	GM	TEZ



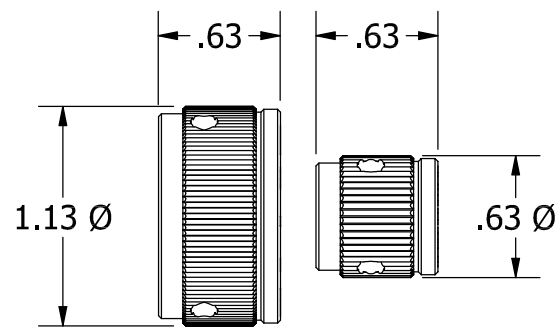
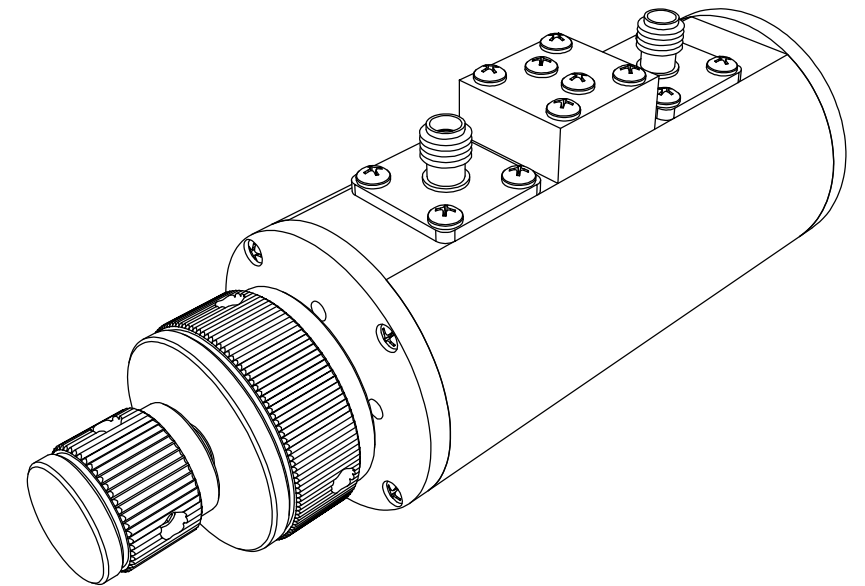
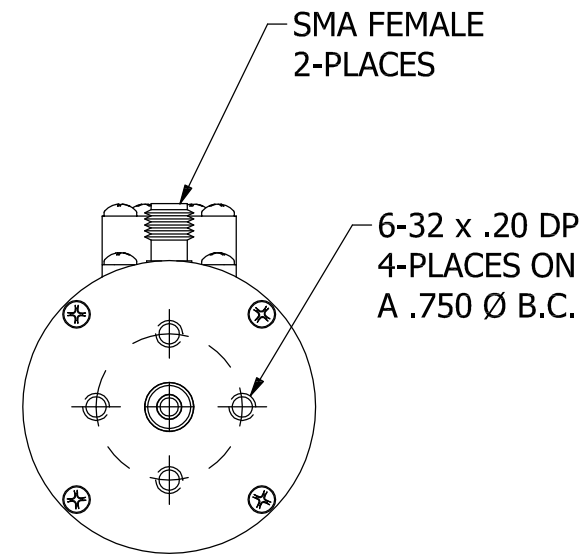
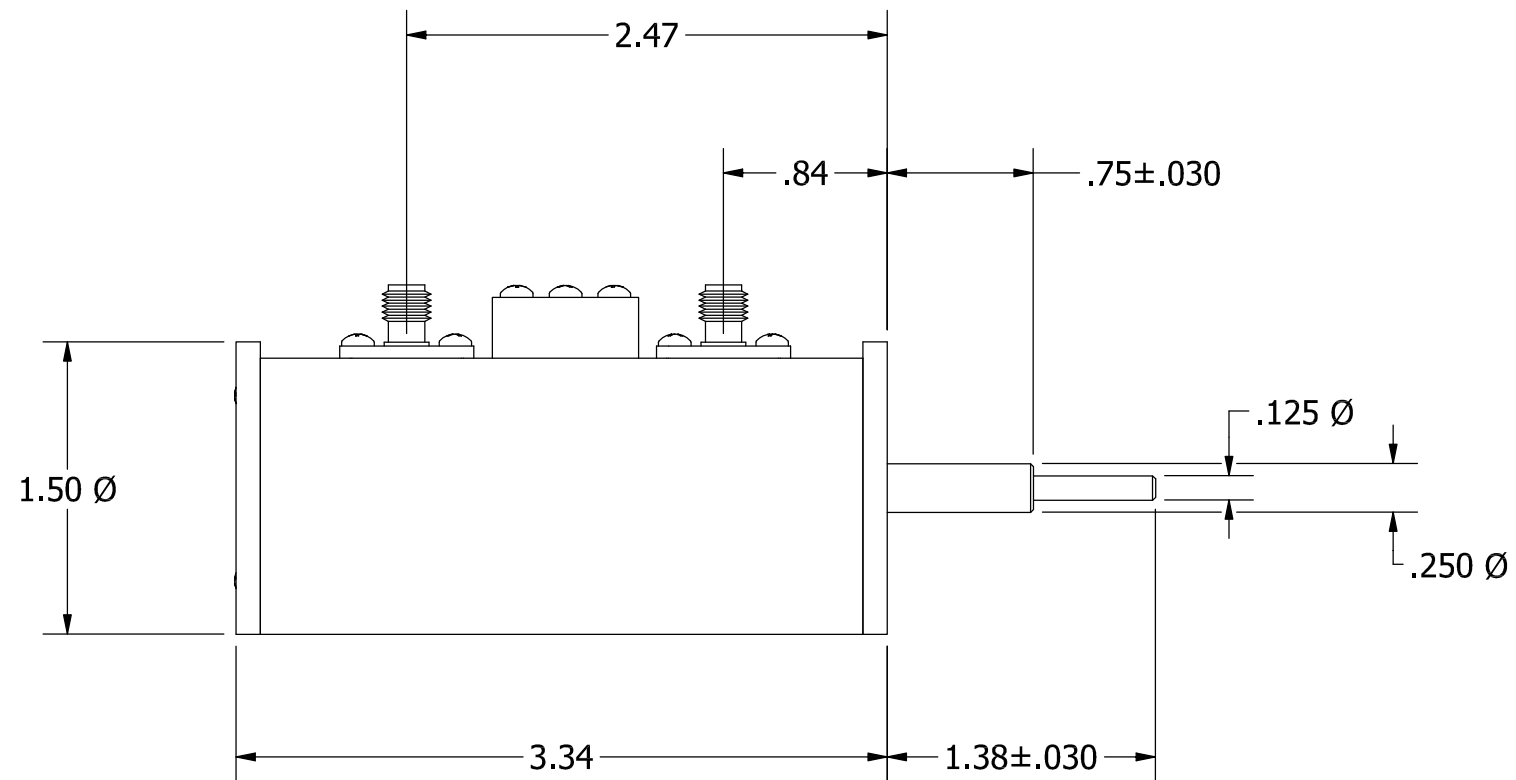
JFW INDUSTRIES, INC.

www.jfwindustries.com

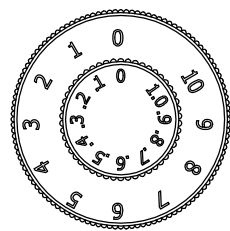
PH: 317-887-1340

MATERIAL	ALUMINUM ALLOY	PROPRIETARY INFORMATION
FINISH	CHEMFILM TCP	ALL SURFACES ARE TO BE FREE OF BURRS, PITS & SCRATCHES
MODEL	50DR-XXX	TOLERANCES
DESCRIPTION	ROTARY ATTENUATOR	.XX±.010 .XXX±.005 XX°±.5°
		DWG #
		092-6720

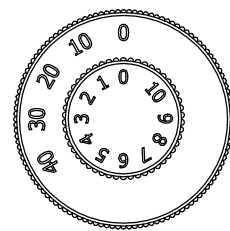
SCALE FULL



KNOB DETAIL



0-11 x 0.1 MODELS



0-50 x 1 MODELS

REV	ECN	DATE	BY	APPR
-	ISSUED	11-2-92	TEZ	FDW
A	3934	4-15-93	TEZ	FDW
B	6166	1-19-00	TEZ	FDW
C	6594	1-24-01	CDJ	TEZ
D	6750	6-11-01	CDJ	TEZ
E	12635	4-20-06	ETW	TEZ
F	23329	10-3-13	JZ	TEZ
G	24444	11-24-15	JZ	TEZ



JFW INDUSTRIES, INC.

www.jfwindustries.com

PH: 317-887-1340

MATERIAL	ALUMINUM ALLOY	PROPRIETARY INFORMATION
FINISH	CHEMFILM TCP	ALL SURFACES ARE TO BE FREE OF BURRS, PITS & SCRATCHES
MODEL	50DR-XXX	SCALE FULL
DESCRIPTION	ROTARY ATTENUATOR	TOLERANCES .XX±.010 .XXX±.005 XX°±.5°
		DWG # 092-1919

