

**SPECIFICATION SHEET**

**JFW MODEL 50DR-060**

**DUAL ROTARY ATTENUATOR**

JFW Industries, Inc.  
Phone: 317-887-1340  
sales@jfwindustries.com  
www.jfwindustries.com

Frequency Range DC-2000 MHz

Impedance 50 Ohms nominal

Attenuation Range 0-11 dB in 0.1 dB steps

VSWR 1.3:1 maximum DC-1000 MHz  
1.5:1 maximum 1000-2000 MHz

Insertion Loss 1.35 dB maximum  
1.20 dB typical @ 2000 MHz

Attenuation Accuracy ± 0.06 dB maximum (0.1 dB steps)  
± 0.40 dB maximum (1 dB steps)

RF Input Power 2 Watts average  
1000 Watts peak

Direction of Rotation Attenuation increases in a Clockwise direction

Indexing 30 degrees with stops at Minimum and maximum

RF Connector BNC, N, SMA, TNC female or RPT female  
RPT female = Reverse Polarity TNC female (female body/male pin)

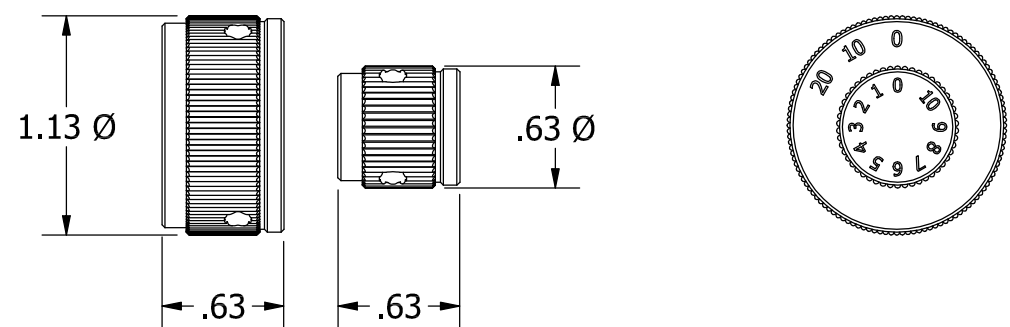
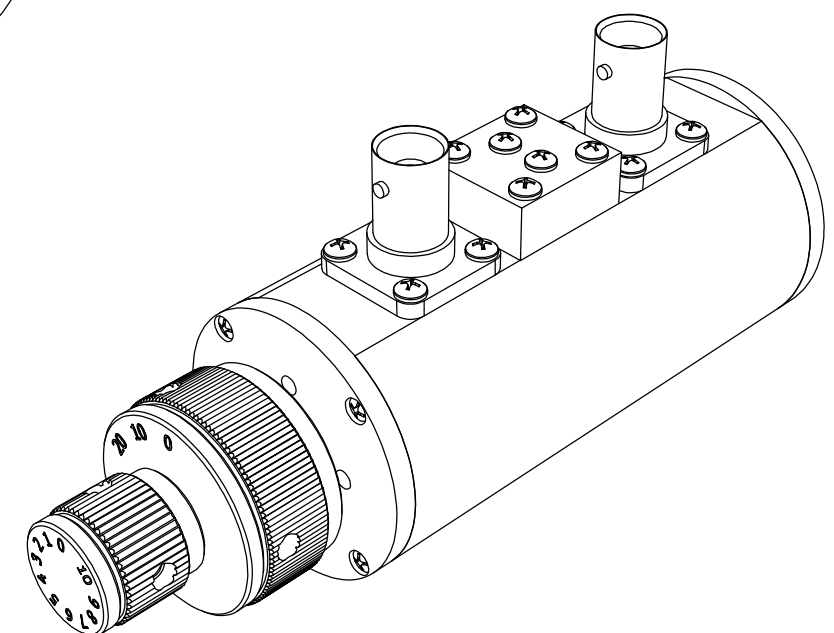
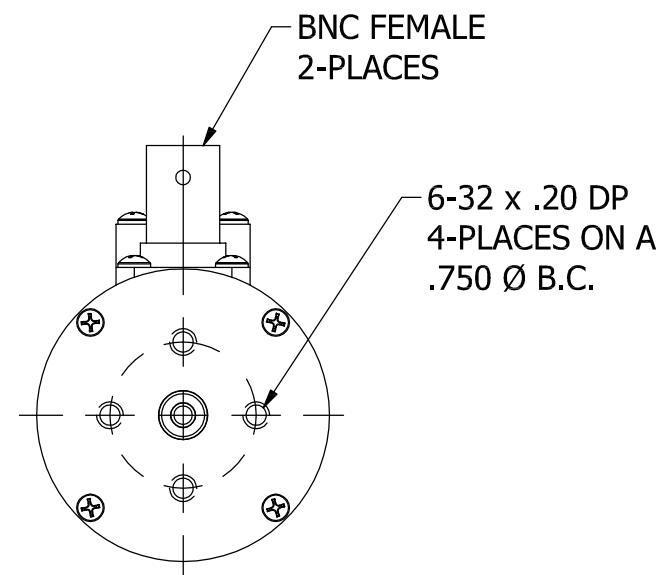
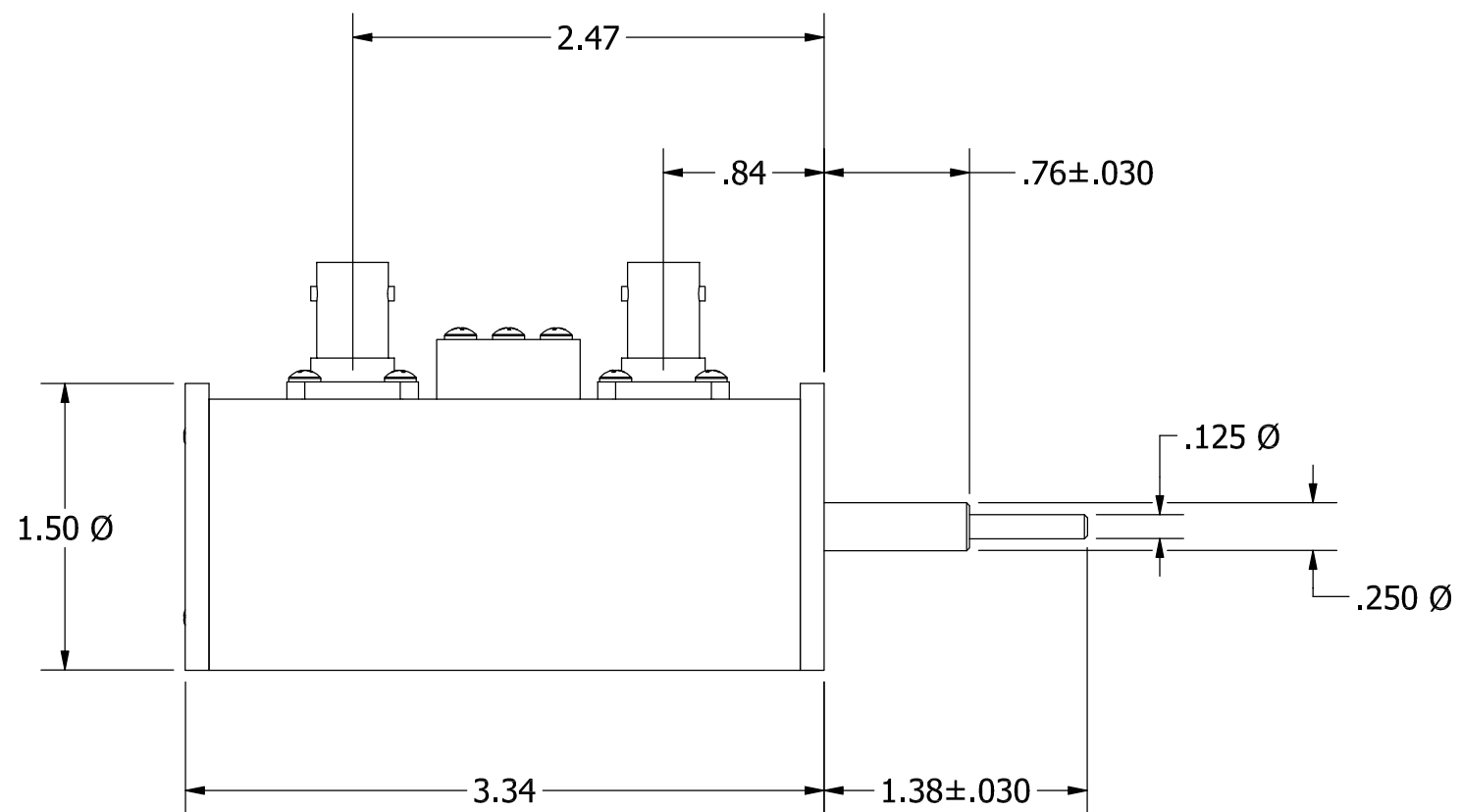
Operating Temperature Range -20°C to +85°C

Lifetime 500,000 attenuation steps (each knob)

Knob/Panel Mounting Drawing 092-8435-02


Outline Drawing Numbers 092-1919 (50DR-060 SMA)  
092-1919-01 (50DR-060 N)

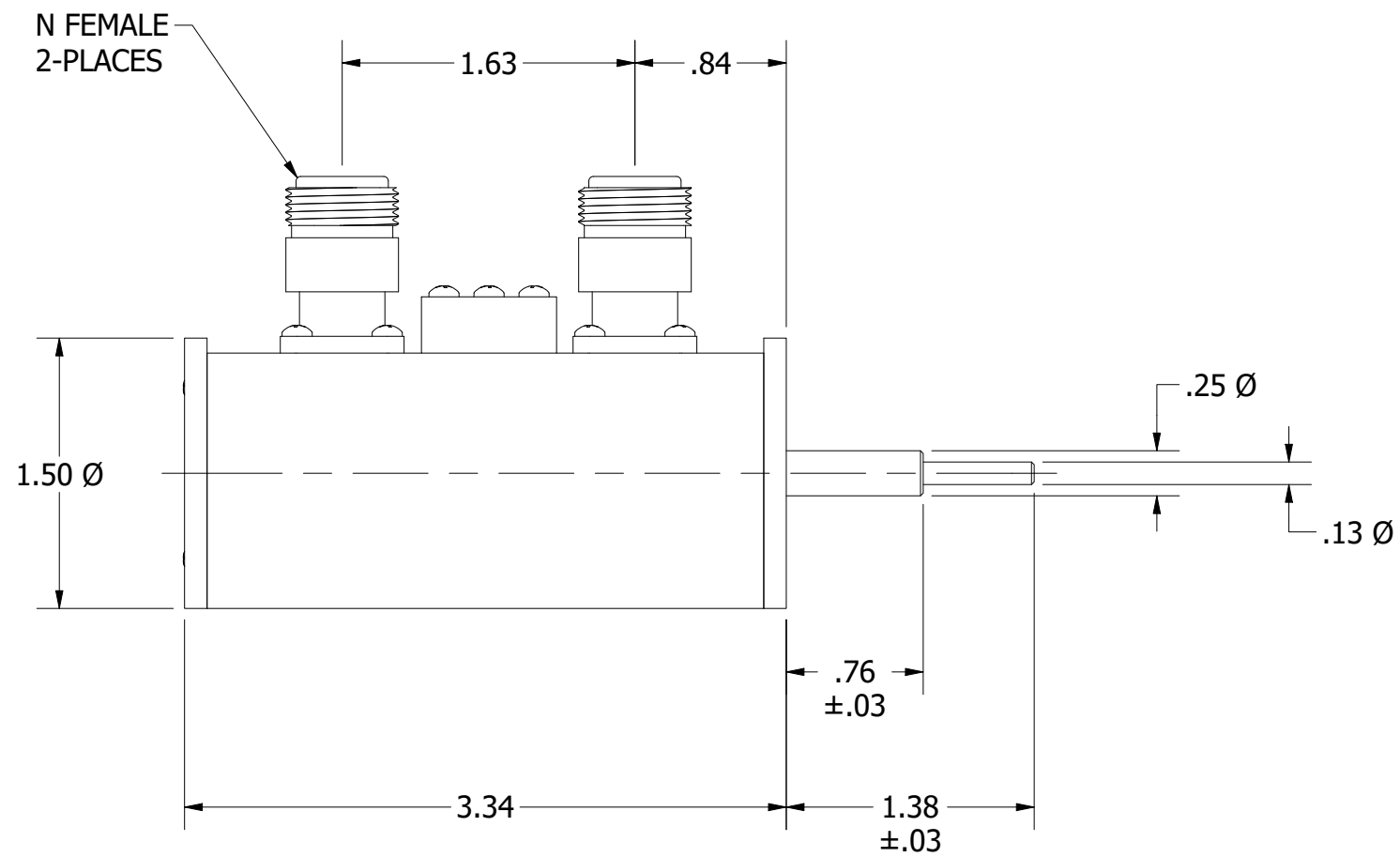
ECR/ECN #	DATE	REV	APPR / DATE	ECR/ECN #	DATE	REV	APPR / DATE
17706	09/23/2009	G	TRS 09/23/2009	28157	10/05/2017	J	TRS 10/05/2017
23479	11/26/2013	H	TRS 11/27/2013	28805	06/12/2018	K	TRS 06/12/2018
25776	09/28/2015	I	TRS 09/29/2015	31330	09/01/2021	L	TRS 09/01/2021



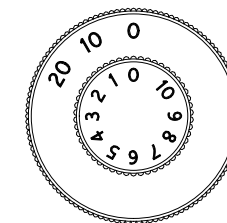
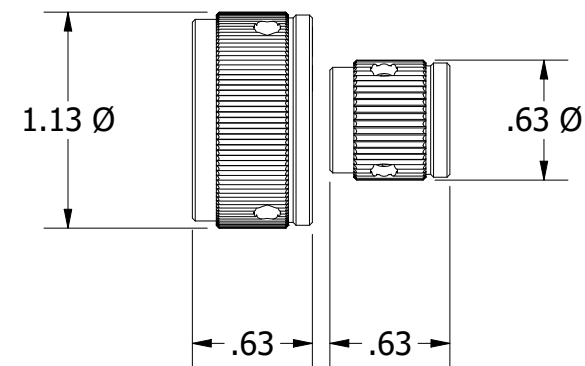
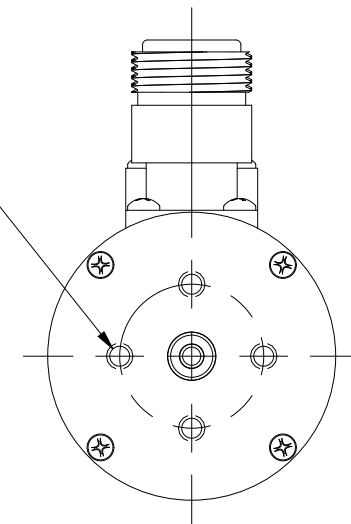
**KNOB DETAIL**

REV	ECN	DATE	BY	APPR
-	ISSUED	4-9-08	TEZ	TRS
A	24444	9-17-15	JZ	TEZ

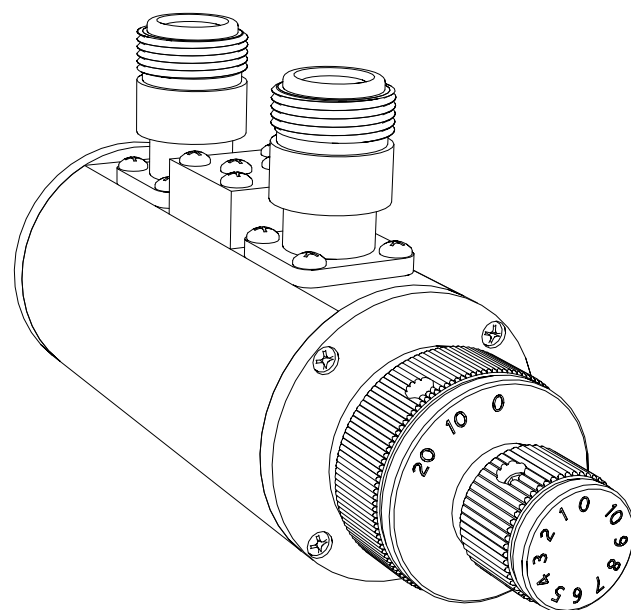
		<b>JFW INDUSTRIES, INC.</b> <a href="http://www.jfwindustries.com">www.jfwindustries.com</a>		PH: 317-887-1340
		MATERIAL ALUMINUM ALLOY		PROPRIETARY INFORMATION
FINISH CHEMFILM TCP		MODEL 50DR-XXX		SCALE FULL
DESCRIPTION 0-30dB ROTARY ATTEN.		TOLERANCES .XX±.010 .XXX±.005 XX°±.5°		DWG # 092-5760



6-32 x .20 DP  
4-PLACES ON  
A .750 Ø B.C.



**KNOB DETAIL**



REV	ECN	DATE	BY	APPR
-	ISSUED	9-22-10	TEZ	TEZ
A	24444	9-18-19	GM	TEZ



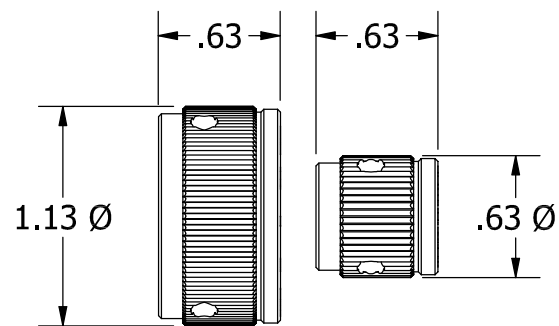
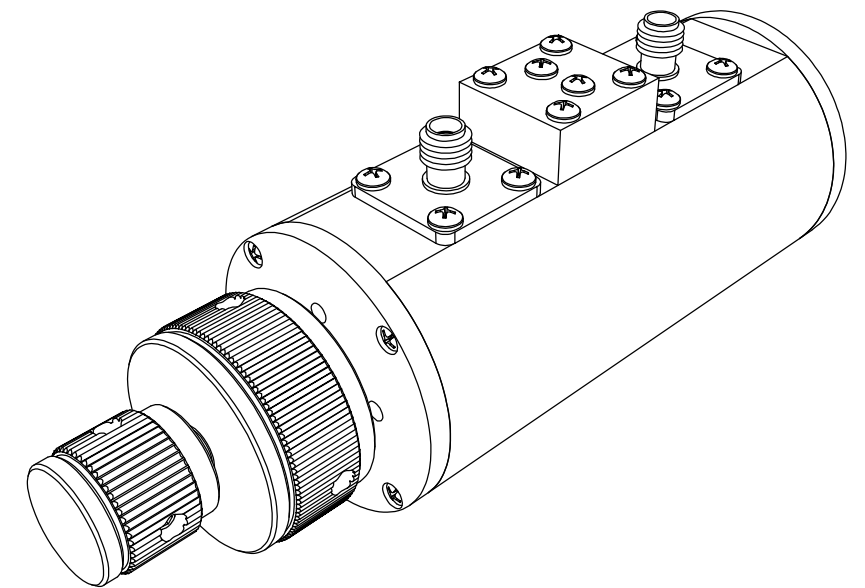
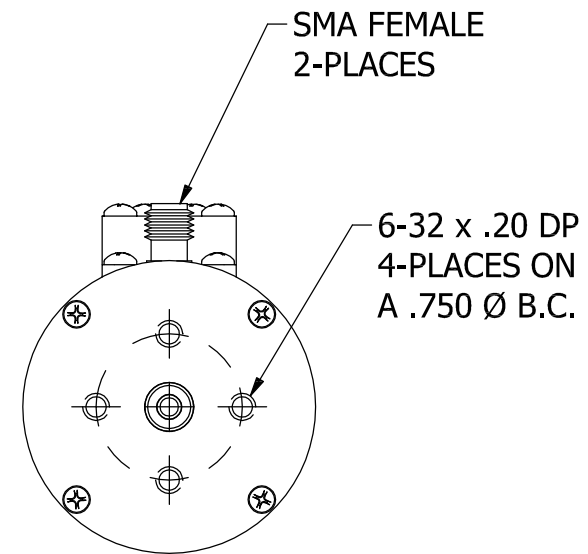
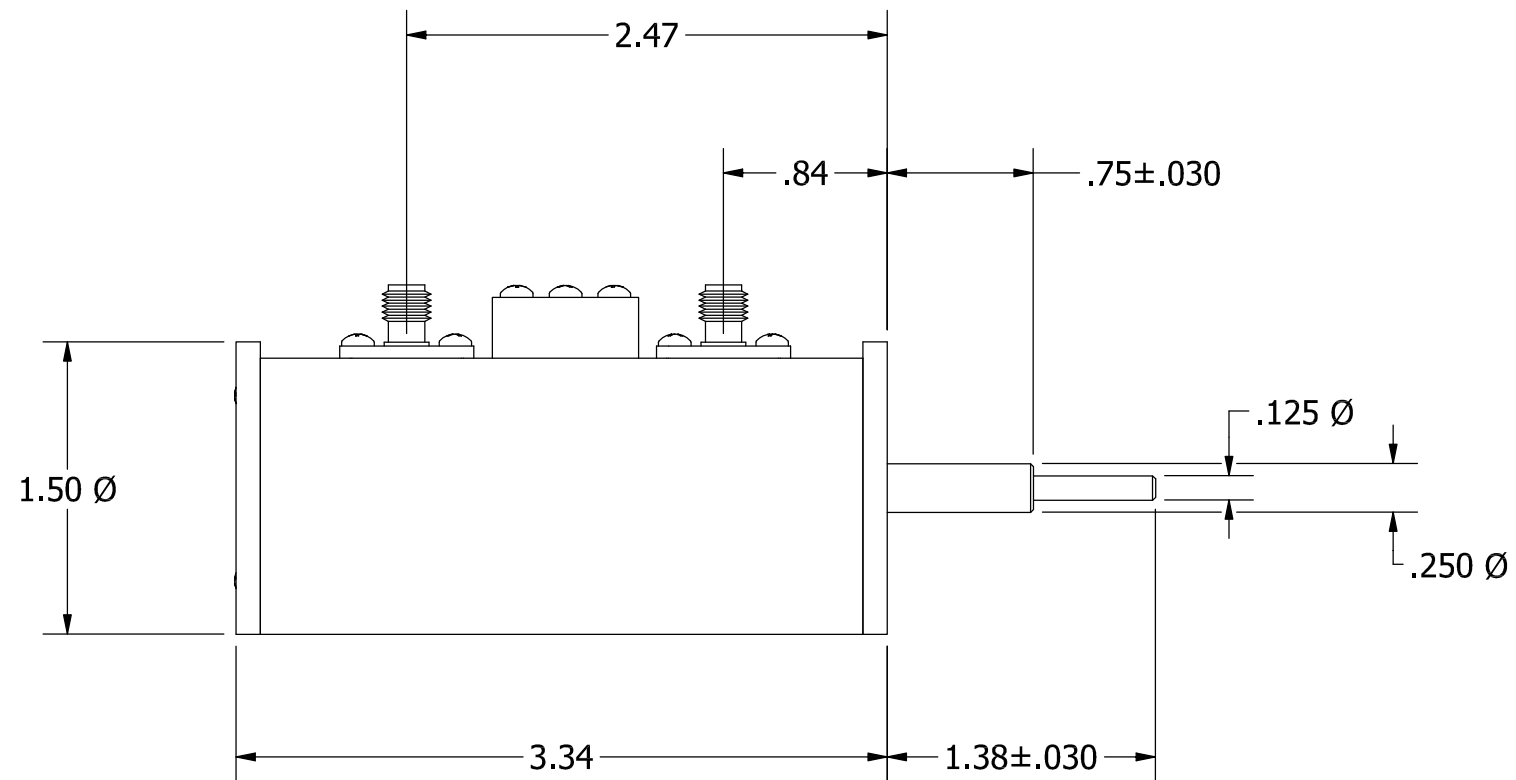
**JFW INDUSTRIES, INC.**

www.jfwindustries.com

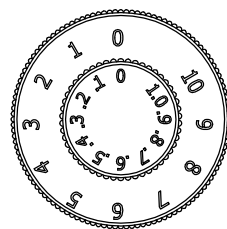
PH: 317-887-1340

MATERIAL	ALUMINUM ALLOY	PROPRIETARY INFORMATION
FINISH	CHEMFILM TCP	ALL SURFACES ARE TO BE FREE OF BURRS, PITS & SCRATCHES
MODEL	50DR-XXX	TOLERANCES
DESCRIPTION	ROTARY ATTENUATOR	.XX±.010 .XXX±.005 XX°±.5°
		DWG #
		092-6720

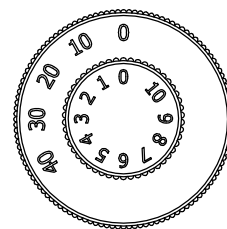
SCALE FULL



**KNOB DETAIL**



**0-11 x 0.1 MODELS**



**0-50 x 1 MODELS**

REV	ECN	DATE	BY	APPR		
-	ISSUED	11-2-92	TEZ	FDW		
A	3934	4-15-93	TEZ	FDW		
B	6166	1-19-00	TEZ	FDW		
C	6594	1-24-01	CDJ	TEZ		
D	6750	6-11-01	CDJ	TEZ		
E	12635	4-20-06	ETW	TEZ		
F	23329	10-3-13	JZ	TEZ		
G	24444	11-24-15	JZ	TEZ		
					<b>JFW INDUSTRIES, INC.</b>	
					<i>www.jfwindustries.com</i> PH: 317-887-1340	
					MATERIAL	ALUMINUM ALLOY
					FINISH	CHEMFILM TCP
					MODEL	50DR-XXX
					SCALE	FULL
					DESCRIPTION	ROTARY ATTENUATOR
					PROPRIETARY INFORMATION ALL SURFACES ARE TO BE FREE OF BURRS, PITS & SCRATCHES TOLERANCES .XX±.010 .XXX±.005 XX°±.5° DWG #	
					<b>092-1919</b>	

