

SPECIFICATION SHEET

JFW MODEL 50DR-061

DUAL ROTARY ATTENUATOR

JFW Industries, Inc.
Phone: 317-887-1340
sales@jfwindustries.com
www.jfwindustries.com

Frequency Range DC-2200 MHz

Impedance 50 Ohms nominal

Attenuation Range 0-80 dB in 1 dB steps

VSWR 1.25:1 maximum DC-1000 MHz
1.5:1 maximum 1000-2200 MHz

Insertion Loss 0.6 dB DC-1000 MHz
1.0 dB 1000-2200 MHz

Attenuation Accuracy ± 0.5 dB or 3%
(whichever is greater)

RF Input Power 2 Watts average
1000 Watts peak

Direction of Rotation Attenuation increases in a Clockwise
direction

Indexing 30 degrees with stops at
Minimum and maximum

RF Connector BNC, SMA or N female

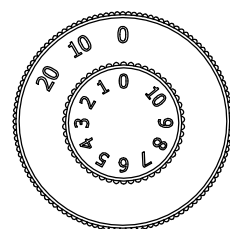
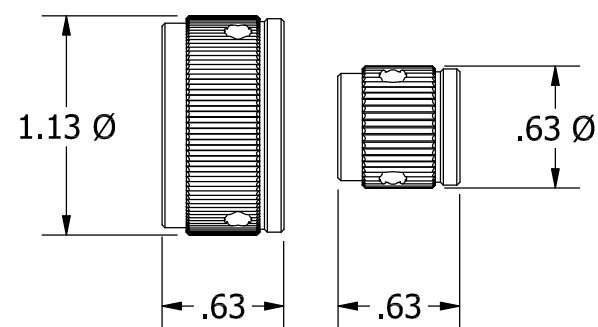
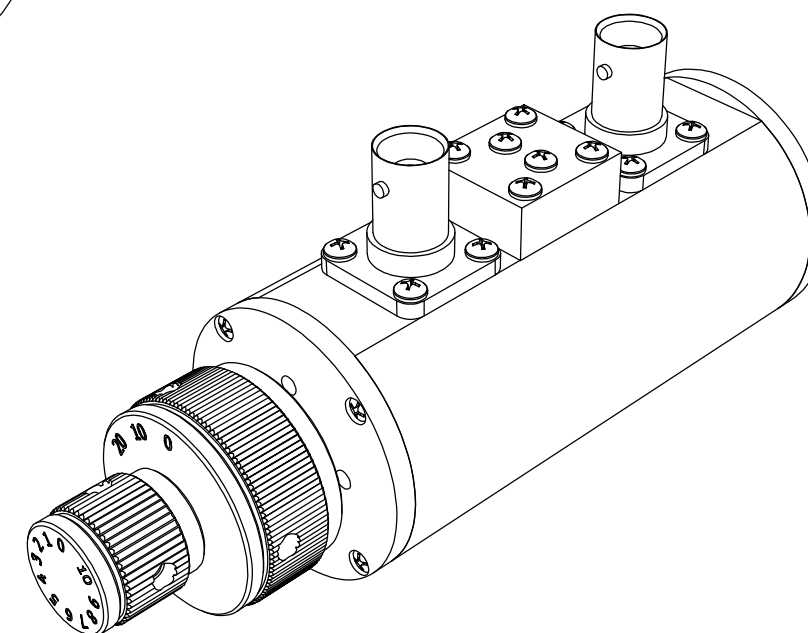
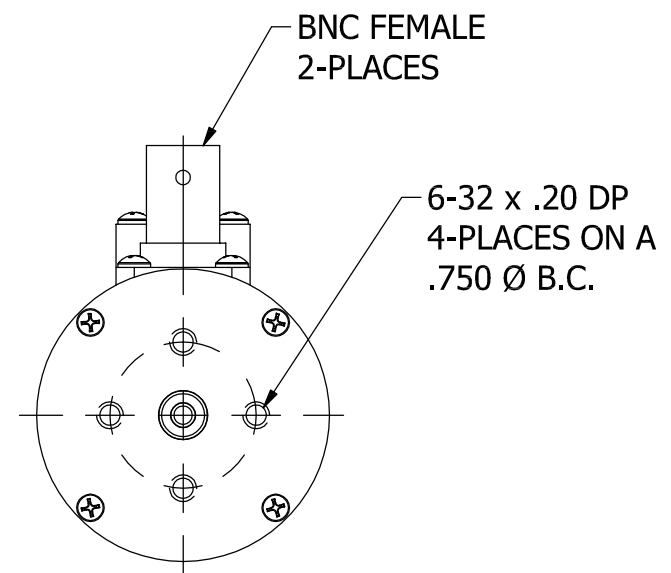
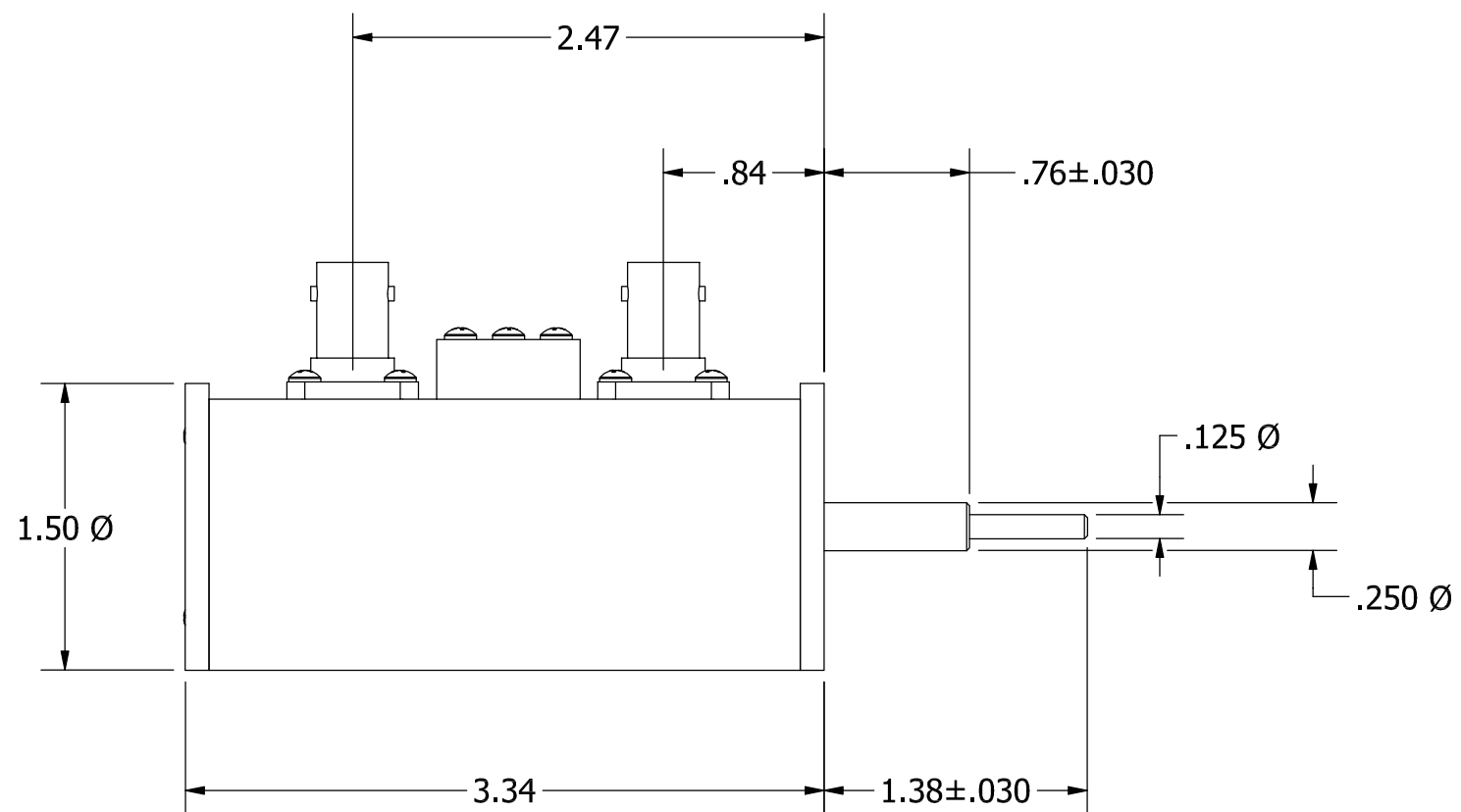
Temperature Range -20°C to +85°C (operating)
-40°C to +85°C (storage)

Lifetime 500,000 attenuation steps (each knob)

Knob/Panel Mounting Drawing 092-8435-02

Outline Drawings 092-327-03 (50DR-061 N)
092-440-03 (50DR-061 SMA)
092-1513-03 (50DR-061 BNC)

ECR/ECN #	DATE	REV	APPR / DATE	ECR/ECN #	DATE	REV	APPR / DATE
9999	05/12/2003	C	TRS 03/05/2004	23929	03/25/2014	F	TRS 03/25/2014
13601	11/14/2006	D	CLK 11/14/2006	25776	09/28/2015	G	TRS 09/29/2015
17251	05/26/2009	E	TRS 05/26/2009	28157	10/05/2017	H	TRS 10/05/2017

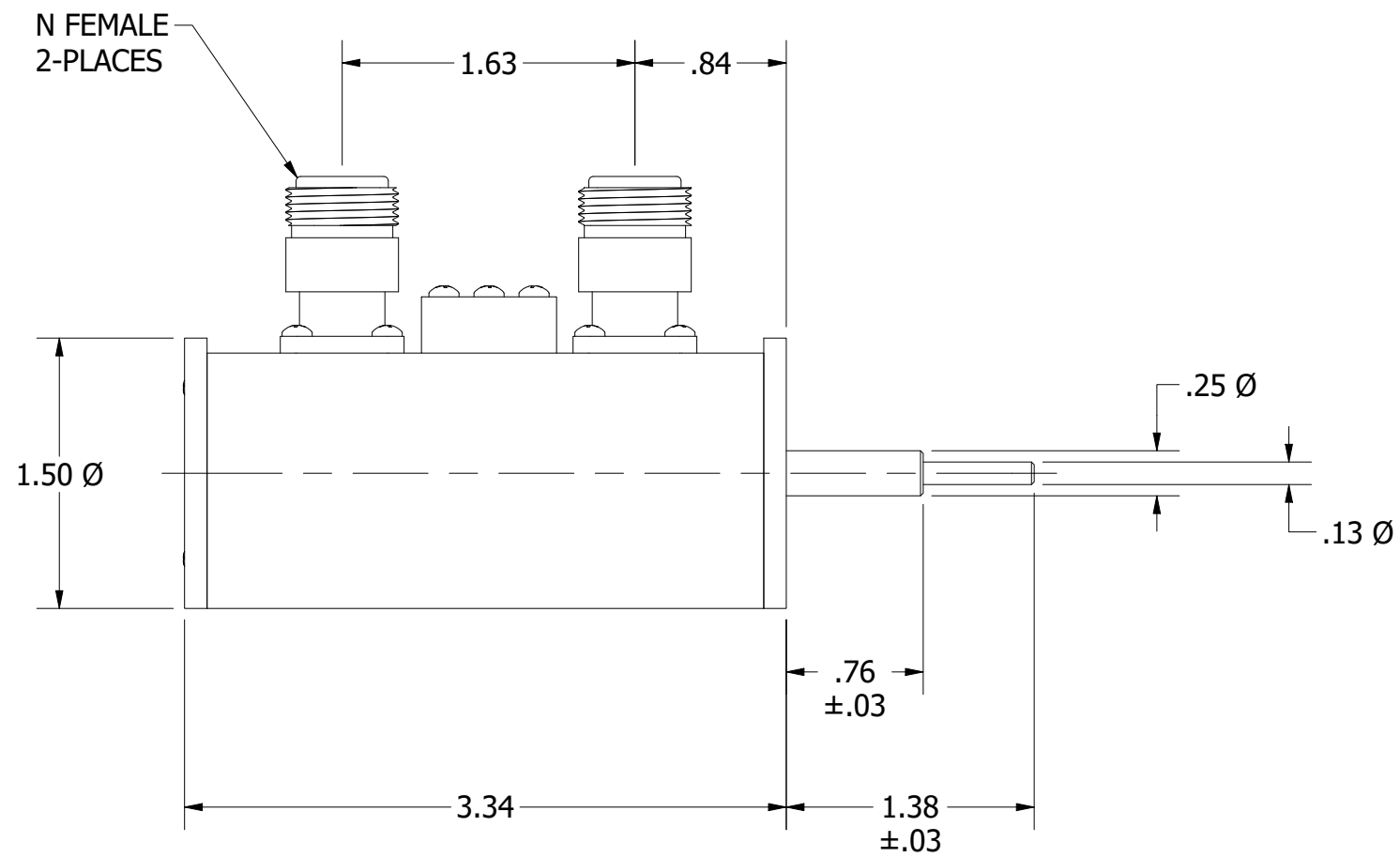


KNOB DETAIL

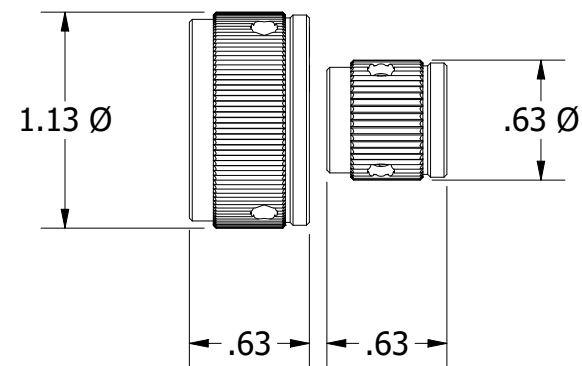
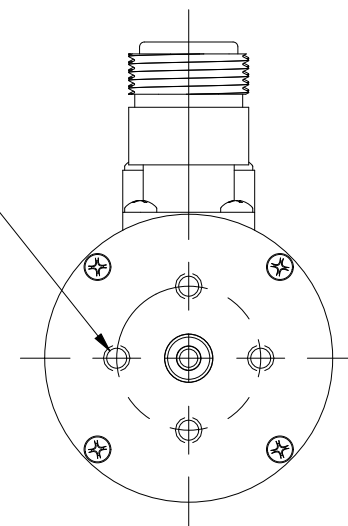
REV	ECN	DATE	BY	APPR
-	ISSUED	4-9-08	TEZ	TRS
A	24444	9-17-15	JZ	TEZ

JFW INDUSTRIES, INC.
www.jfwindustries.com PH: 317-887-1340

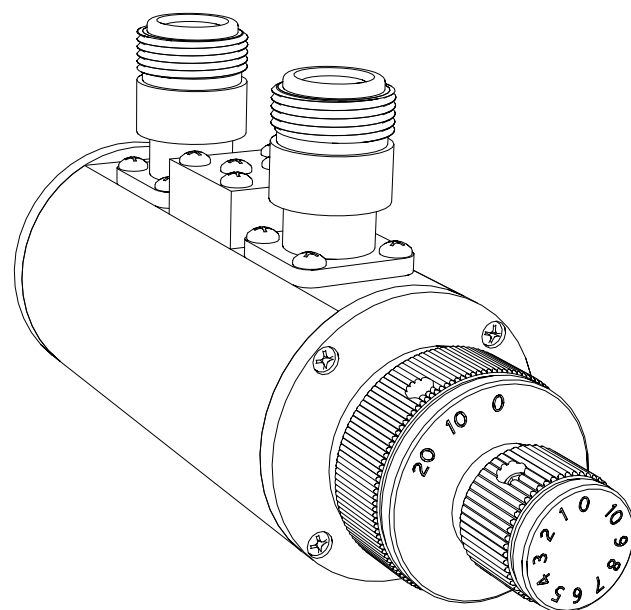
MATERIAL	ALUMINUM ALLOY	PROPRIETARY INFORMATION
FINISH	CHEMFILM TCP	ALL SURFACES ARE TO BE FREE OF BURRS, PITS & SCRATCHES
MODEL	50DR-XXX	SCALE FULL TOLERANCES .XX±.010 .XXX±.005 XX°±.5°
DESCRIPTION	0-30dB ROTARY ATTEN.	DWG # 092-5760



6-32 x .20 DP
4-PLACES ON
A .750 Ø B.C.



KNOB DETAIL



REV	ECN	DATE	BY	APPR
-	ISSUED	9-22-10	TEZ	TEZ
A	24444	9-18-19	GM	TEZ



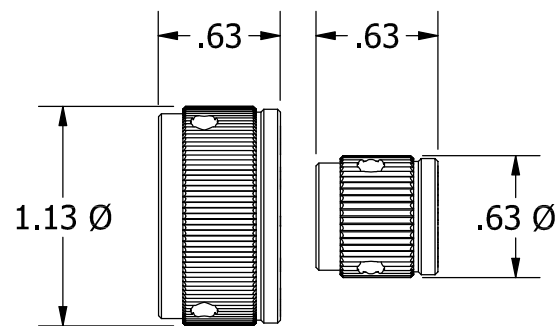
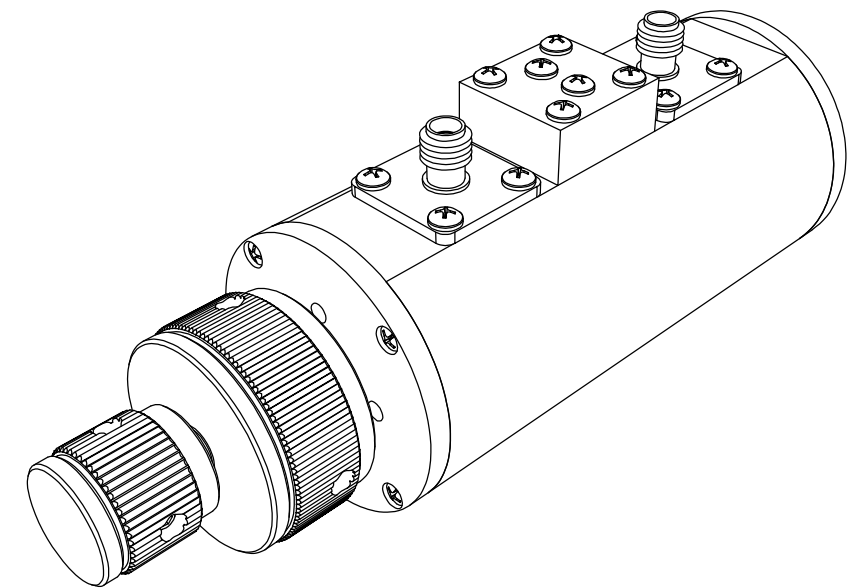
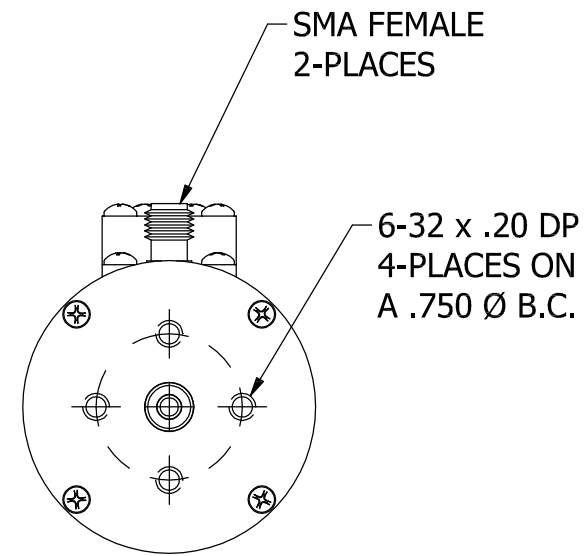
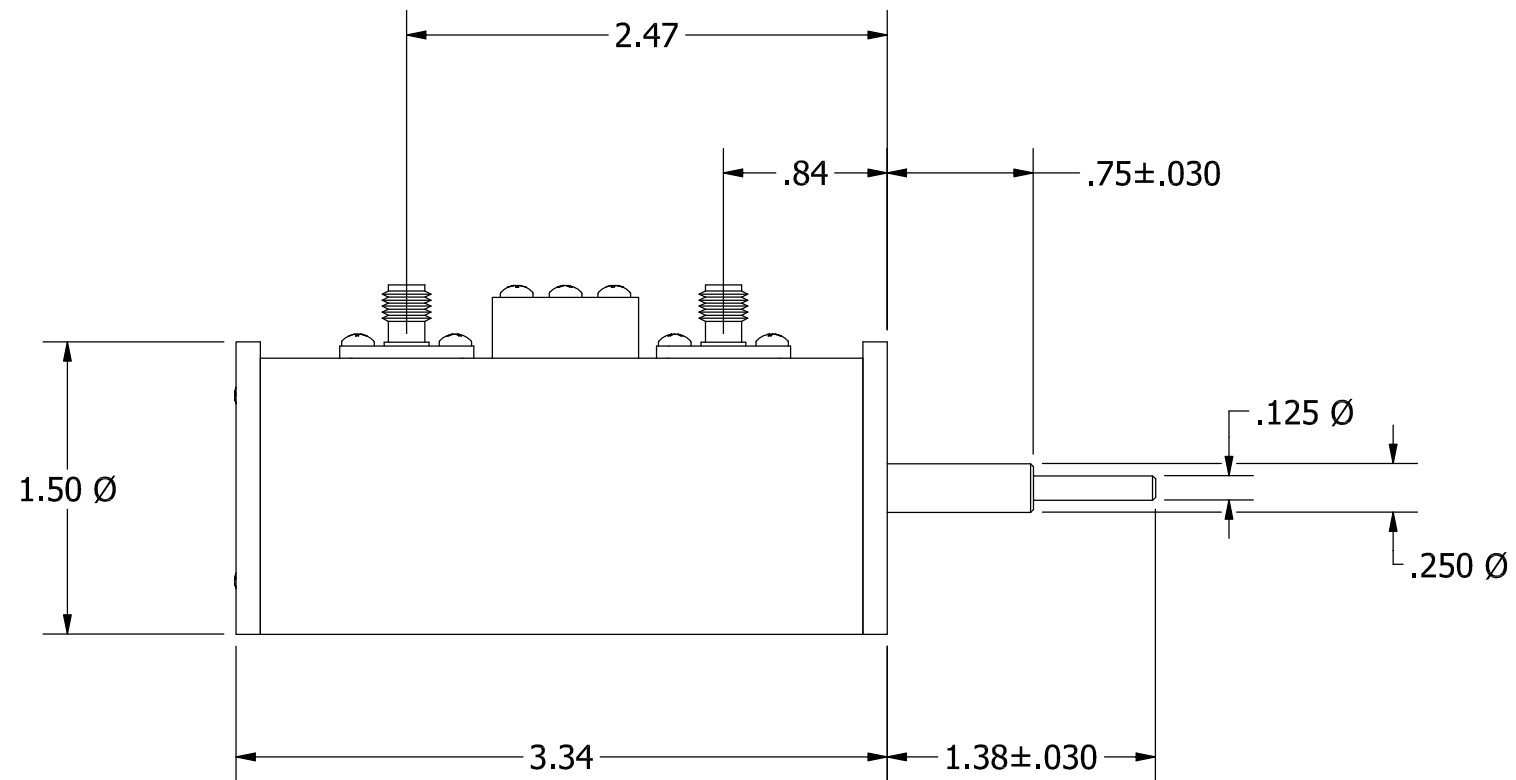
JFW INDUSTRIES, INC.

www.jfwindustries.com

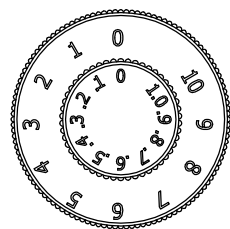
PH: 317-887-1340

MATERIAL	ALUMINUM ALLOY	PROPRIETARY INFORMATION
FINISH	CHEMFILM TCP	ALL SURFACES ARE TO BE FREE OF BURRS, PITS & SCRATCHES
MODEL	50DR-XXX	TOLERANCES
DESCRIPTION	ROTARY ATTENUATOR	.XX±.010 .XXX±.005 XX°±.5°
		DWG #
		092-6720

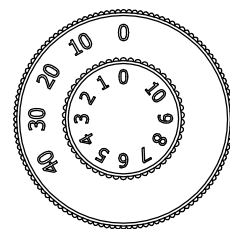
SCALE FULL



KNOB DETAIL

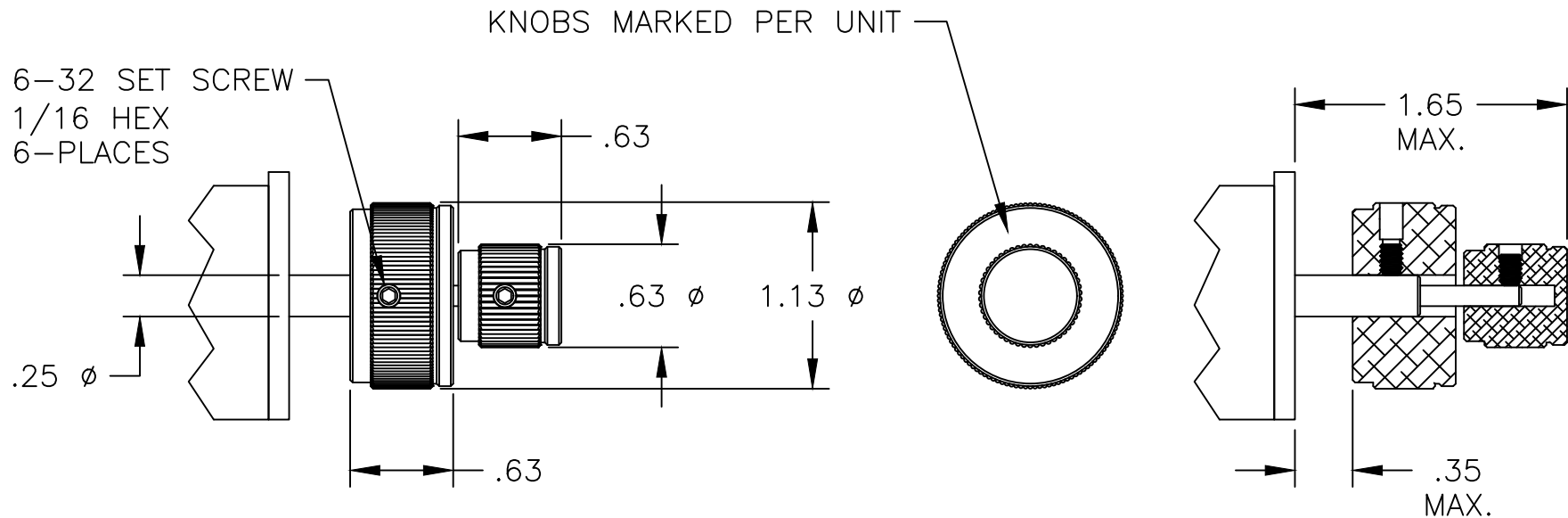


0-11 x 0.1 MODELS



0-50 x 1 MODELS


REV	ECN	DATE	BY	APPR		
-	ISSUED	11-2-92	TEZ	FDW		
A	3934	4-15-93	TEZ	FDW		
B	6166	1-19-00	TEZ	FDW		
C	6594	1-24-01	CDJ	TEZ		
D	6750	6-11-01	CDJ	TEZ		
E	12635	4-20-06	ETW	TEZ		
F	23329	10-3-13	JZ	TEZ		
G	24444	11-24-15	JZ	TEZ		
					JFW INDUSTRIES, INC.	
					<i>www.jfwindustries.com</i> PH: 317-887-1340	
					MATERIAL	ALUMINUM ALLOY
					FINISH	CHEMFILM TCP
					MODEL	50DR-XXX
					SCALE	FULL
					DESCRIPTION	ROTARY ATTENUATOR
					PROPRIETARY INFORMATION ALL SURFACES ARE TO BE FREE OF BURRS, PITS & SCRATCHES TOLERANCES .XX±.010 .XXX±.005 XX°±.5° DWG #	
					092-1919	



NOTE: PANEL THICKNESS IN ADDITION TO SCREW HEAD MUST NOT EXCEED .35 INCH MAXIMUM.

SET SCREWS FOR SMALL KNOB: 6-32 x 3/16 WITH 1/16 HEX HEAD (JFW #027-318)

SET SCREWS FOR LARGE KNOB: 6-32 x 5/16 WITH 1/16 HEX HEAD (JFW #027-319)

REV	ECN	DATE	BY	APPR				
-	ISSUED	9-24-2015	JZ	TEZ	 JFW INDUSTRIES, INC. www.jfwindustries.com PH: 317-887-1340			
A	28025	8-14-2017	DTS	TRS				
					MATERIAL	ALUMINUM ALLOY	PROPRIETARY INFORMATION	
					FINISH	BLACK ANODIZE		ALL SURFACES ARE TO BE FREE OF BURRS, PITS, & SCRATCHES
					MODEL	132-002 & 132-003	SCALE FULL	TOLERANCES
					DESCRIPTION	ROTOR KNOB MOUNTING		.XX±.010 .XXX±.005 XX±.5'
							DWG #	092-8435-02