

SPECIFICATION SHEET

JFW MODEL 50DR-119

DUAL ROTARY ATTENUATOR

JFW Industries, Inc.
Phone: 317-887-1340
sales@jfwindustries.com
www.jfwindustries.com

Frequency Range DC-2200 MHz

Impedance 50 Ohms nominal

Attenuation Range 0-110 dB in 1 dB steps

VSWR 1.2:1 maximum DC-500 MHz
1.4:1 maximum 500-1000 MHz
1.5:1 maximum 1000-2200 MHz

Insertion Loss 0.5 dB maximum DC-1000 MHz
1.0 dB maximum 1000-2200 MHz

Attenuation Accuracy ± 0.5 dB or 2% DC-500 MHz
± 0.5 dB or 3% 500-2000 MHz
± 0.5 dB or 4% 2000-2200 MHz
(whichever is greater)

RF Input Power 2 Watts average
1000 Watts peak

Direction of Rotation Attenuation increases in a Clockwise direction

Indexing 30 degrees with stops at Minimum and maximum

RF Connector TNC, N, SMA or BNC female

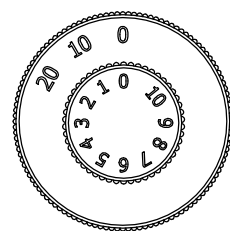
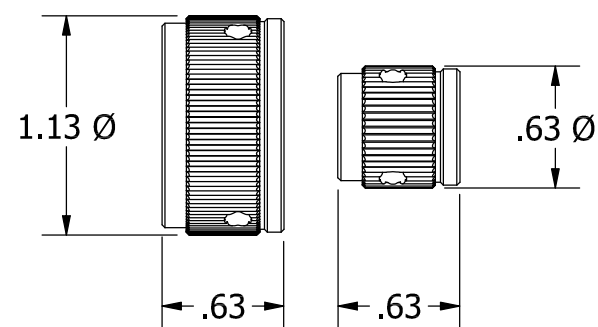
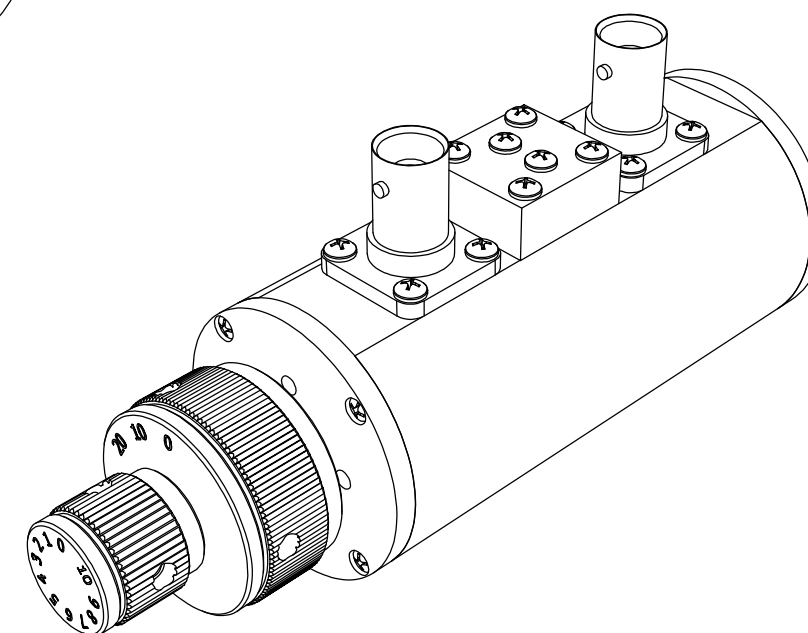
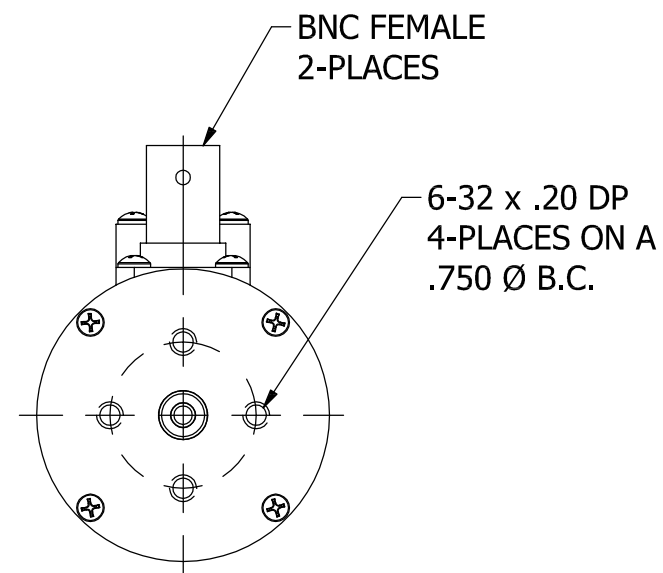
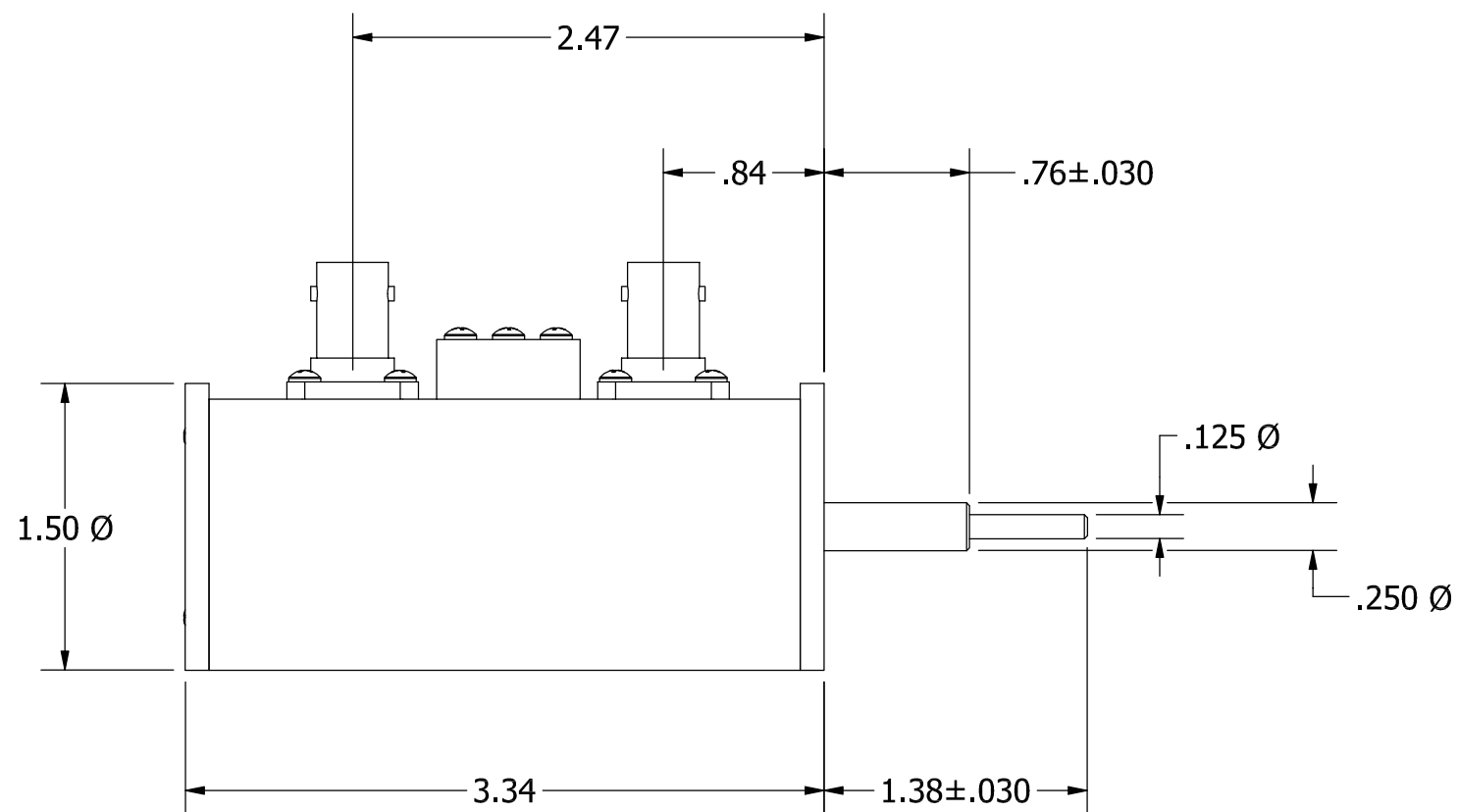
Operating Temperature Range -20°C to +85°C

Lifetime 500,000 attenuation steps (each knob)

Knob/Panel Mounting Drawing 092-8435-02


Outline Drawings 092-327-01 (50DR-119 N)
092-440-01 (50DR-119 SMA)
092-1513-01 (50DR-119 BNC)

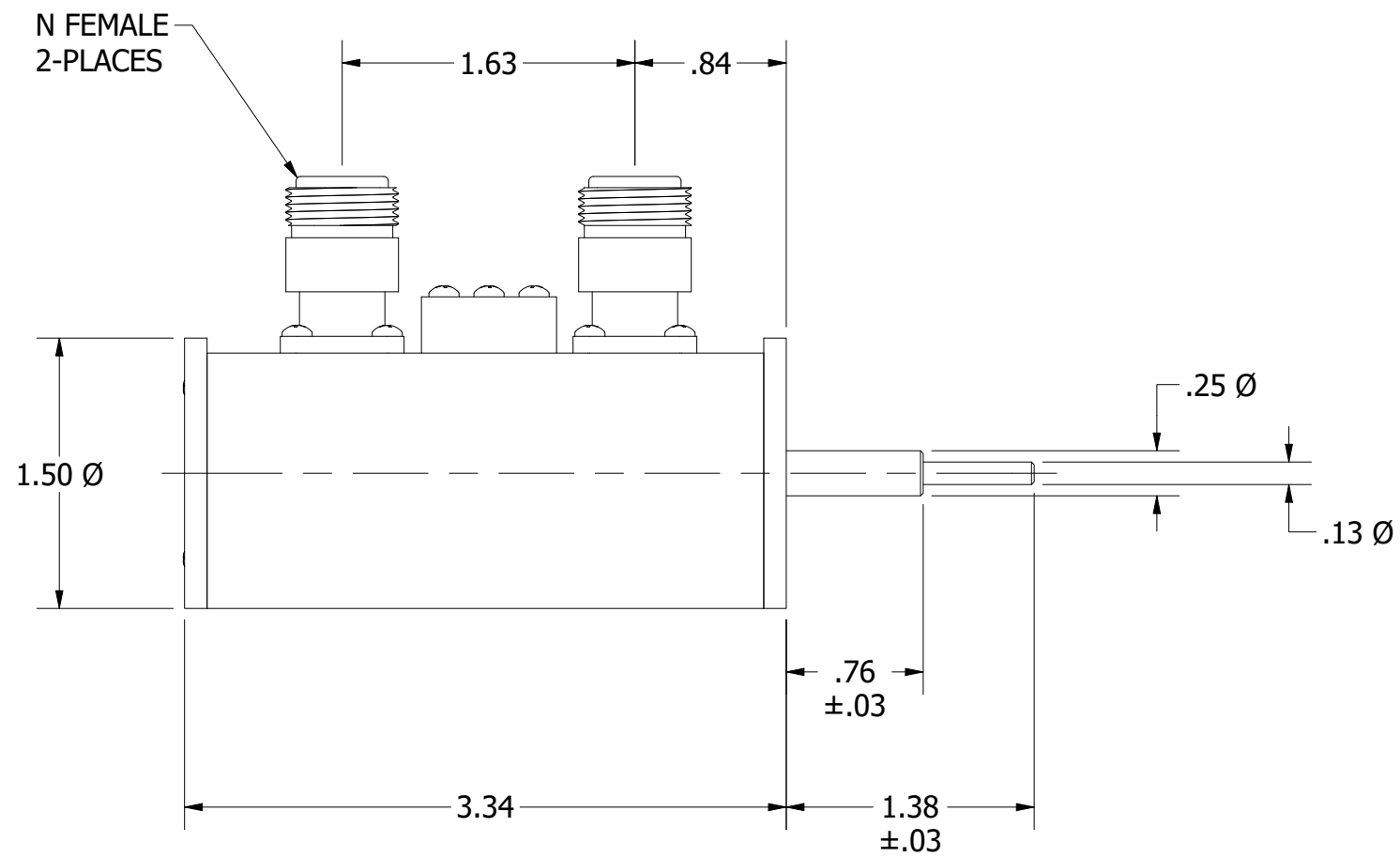
ECR/ECN #	DATE	REV	APPR / DATE	ECR/ECN #	DATE	REV	APPR / DATE
	09/21/2009		TRS 09/21/2009				
25776	09/28/2015	A	TRS 09/29/2015				
28157	10/05/2017	B	TRS 10/05/2017				



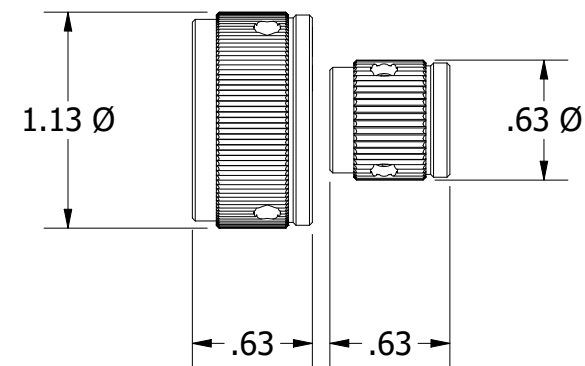
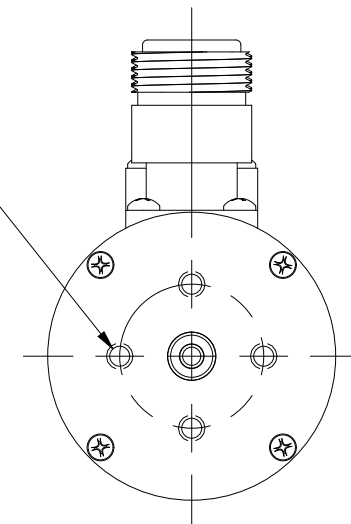
KNOB DETAIL

REV	ECN	DATE	BY	APPR
-	ISSUED	4-9-08	TEZ	TRS
A	24444	9-17-15	JZ	TEZ

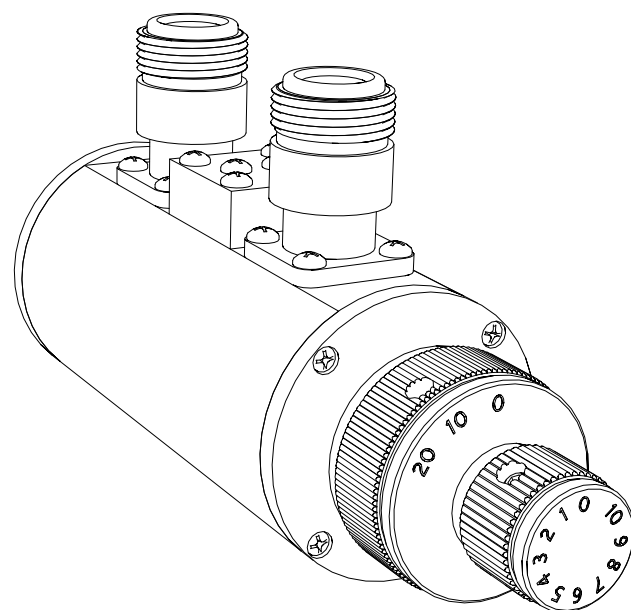
	JFW INDUSTRIES, INC. www.jfwindustries.com PH: 317-887-1340	
	MATERIAL	ALUMINUM ALLOY
FINISH	CHEMFILM TCP	PROPRIETARY INFORMATION
MODEL	50DR-XXX	ALL SURFACES ARE TO BE FREE OF BURRS, PITS & SCRATCHES
DESCRIPTION	0-30dB ROTARY ATTEN.	TOLERANCES .XX±.010 .XXX±.005 XX°±.5°
		DWG #
		092-5760



6-32 x .20 DP
4-PLACES ON
A .750 Ø B.C.



KNOB DETAIL



REV	ECN	DATE	BY	APPR
-	ISSUED	9-22-10	TEZ	TEZ
A	24444	9-18-19	GM	TEZ



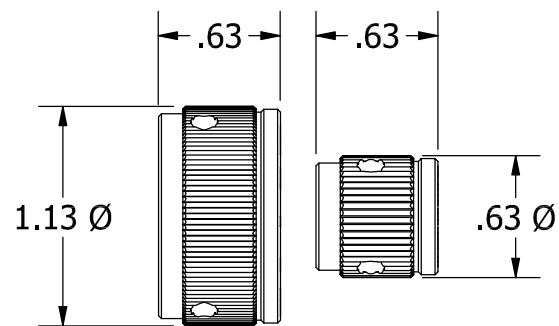
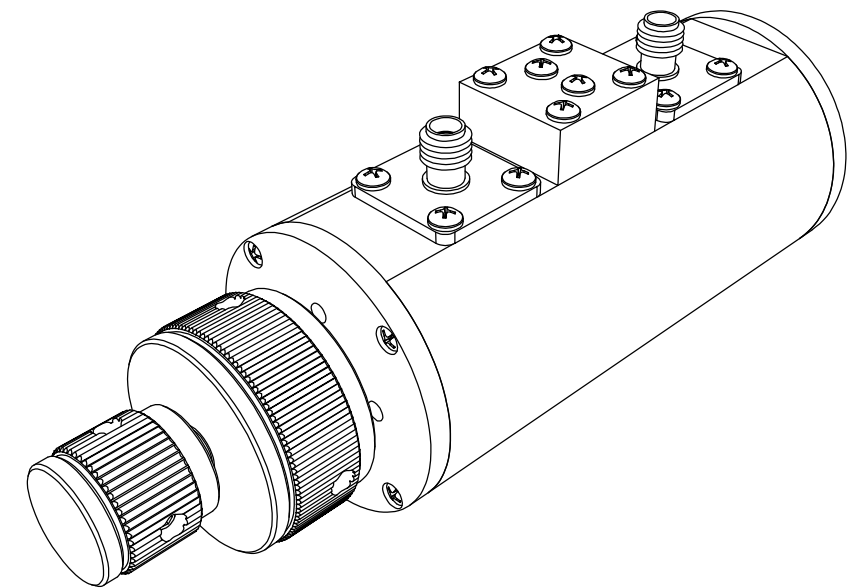
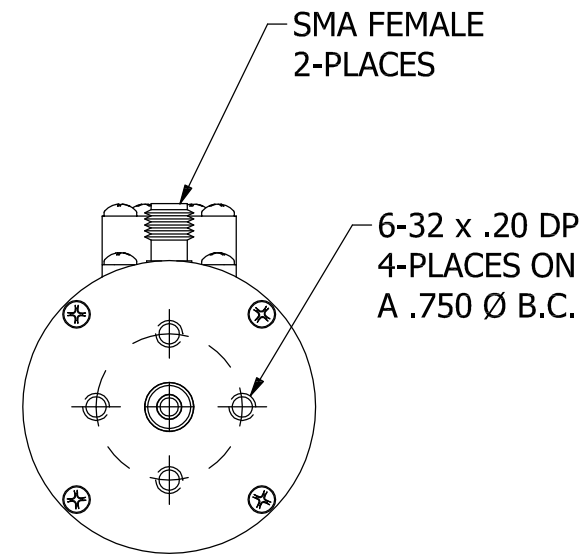
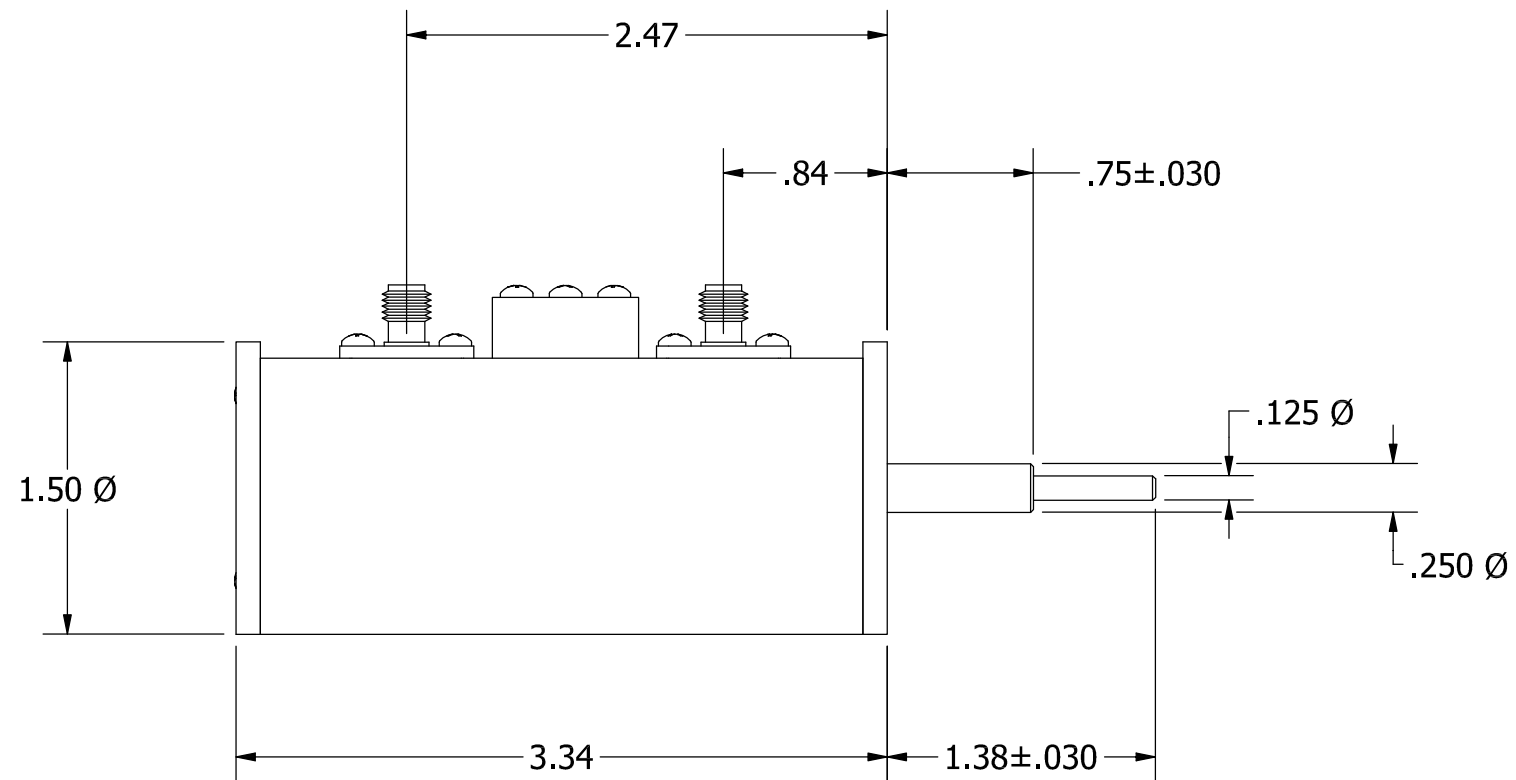
JFW INDUSTRIES, INC.

www.jfwindustries.com

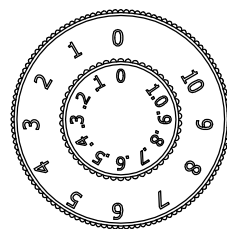
PH: 317-887-1340

MATERIAL	ALUMINUM ALLOY	PROPRIETARY INFORMATION
FINISH	CHEMFILM TCP	ALL SURFACES ARE TO BE FREE OF BURRS, PITS & SCRATCHES
MODEL	50DR-XXX	TOLERANCES
DESCRIPTION	ROTARY ATTENUATOR	.XX±.010 .XXX±.005 XX°±.5°
		DWG #
		092-6720

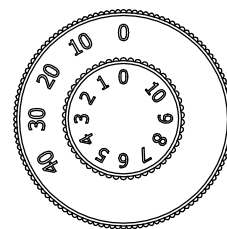
SCALE FULL



KNOB DETAIL

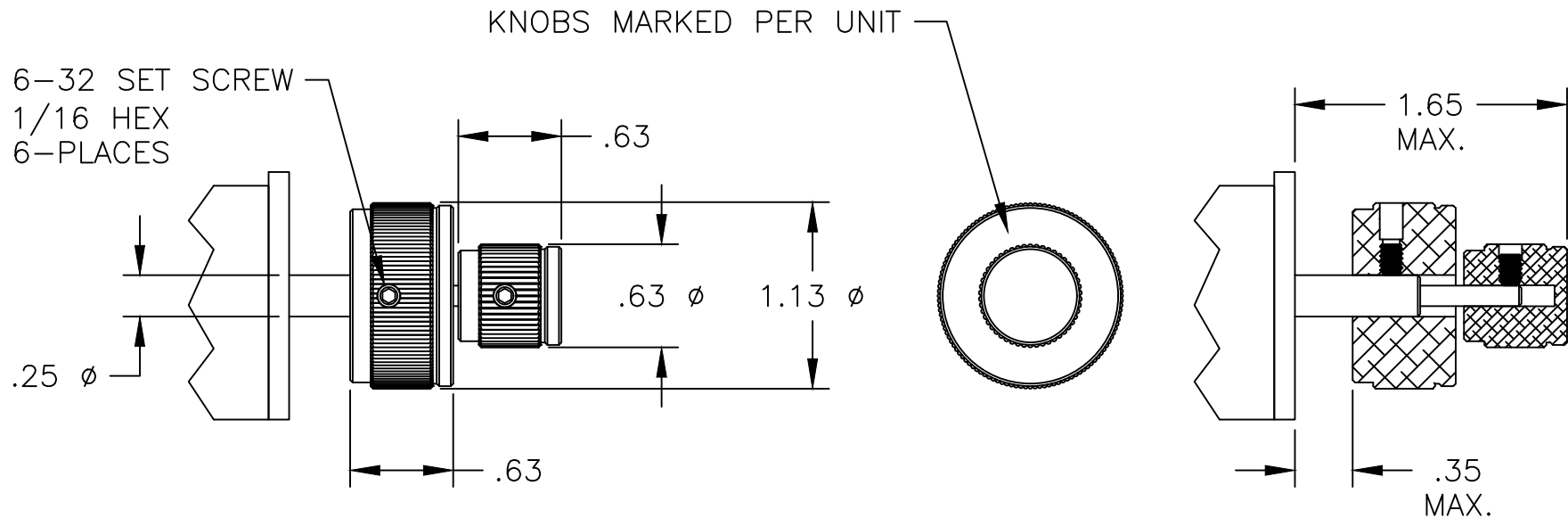


**0-11 x 0.1
MODELS**



**0-50 x 1
MODELS**


REV	ECN	DATE	BY	APPR		
-	ISSUED	11-2-92	TEZ	FDW		
A	3934	4-15-93	TEZ	FDW		
B	6166	1-19-00	TEZ	FDW		
C	6594	1-24-01	CDJ	TEZ		
D	6750	6-11-01	CDJ	TEZ		
E	12635	4-20-06	ETW	TEZ		
F	23329	10-3-13	JZ	TEZ		
G	24444	11-24-15	JZ	TEZ		
					JFW INDUSTRIES, INC.	
					<i>www.jfwindustries.com</i> PH: 317-887-1340	
					MATERIAL	ALUMINUM ALLOY
					FINISH	CHEMFILM TCP
					MODEL	50DR-XXX
					SCALE	FULL
					DESCRIPTION	ROTARY ATTENUATOR
					PROPRIETARY INFORMATION ALL SURFACES ARE TO BE FREE OF BURRS, PITS & SCRATCHES TOLERANCES .XX±.010 .XXX±.005 XX°±.5° DWG #	
					092-1919	



NOTE: PANEL THICKNESS IN ADDITION TO SCREW HEAD MUST NOT EXCEED .35 INCH MAXIMUM.

SET SCREWS FOR SMALL KNOB: 6-32 x 3/16 WITH 1/16 HEX HEAD (JFW #027-318)

SET SCREWS FOR LARGE KNOB: 6-32 x 5/16 WITH 1/16 HEX HEAD (JFW #027-319)

REV	ECN	DATE	BY	APPR				
-	ISSUED	9-24-2015	JZ	TEZ	 JFW INDUSTRIES, INC. www.jfwindustries.com PH: 317-887-1340			
A	28025	8-14-2017	DTS	TRS				
					MATERIAL	ALUMINUM ALLOY	PROPRIETARY INFORMATION	
					FINISH	BLACK ANODIZE		ALL SURFACES ARE TO BE FREE OF BURRS, PITS, & SCRATCHES
					MODEL	132-002 & 132-003	SCALE FULL	TOLERANCES
					DESCRIPTION	ROTOR KNOB MOUNTING		.XX±.010 .XXX±.005 XX±.5'
							DWG #	092-8435-02