

SPECIFICATION SHEET

JFW MODEL 50DR-141

DUAL ROTARY ATTENUATOR

JFW Industries, Inc.
Phone: 317-887-1340
sales@jfwindustries.com
www.jfwindustries.com

Frequency Range DC-3600 MHz

Impedance 50 Ohms nominal

Attenuation Range 0-40 dB in 1 dB steps

VSWR 1.9:1 maximum
1.6:1 typical

Insertion Loss 1.9 dB maximum
0.4 dB typical @ 698 MHz
1.2 dB typical @ 3600 MHz

Attenuation Accuracy (1 dB steps)
± 1.0 dB maximum
± 0.5 dB typical

(10 dB steps)
± 1.5 dB maximum
± 1.0 dB typical

RF Input Power 2 Watts average
1000 Watts peak

Direction of Rotation Attenuation increases in a Clockwise direction

RF Connector N or SMA female

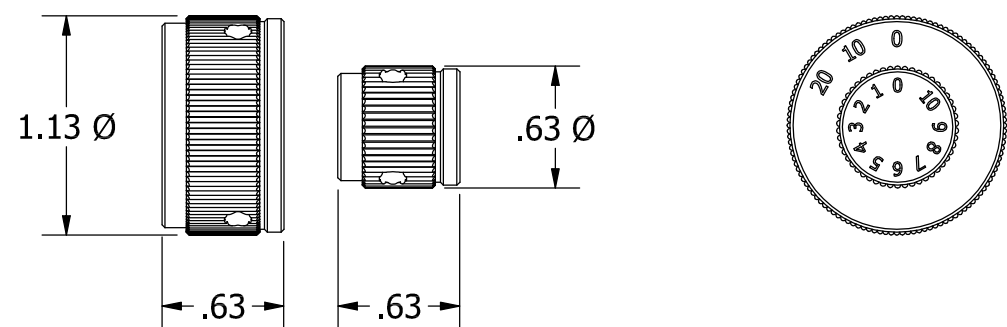
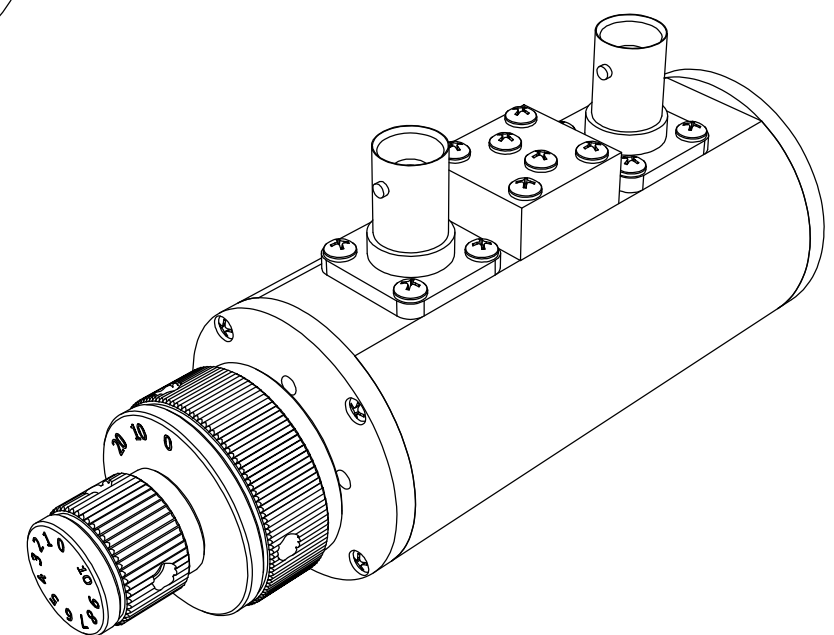
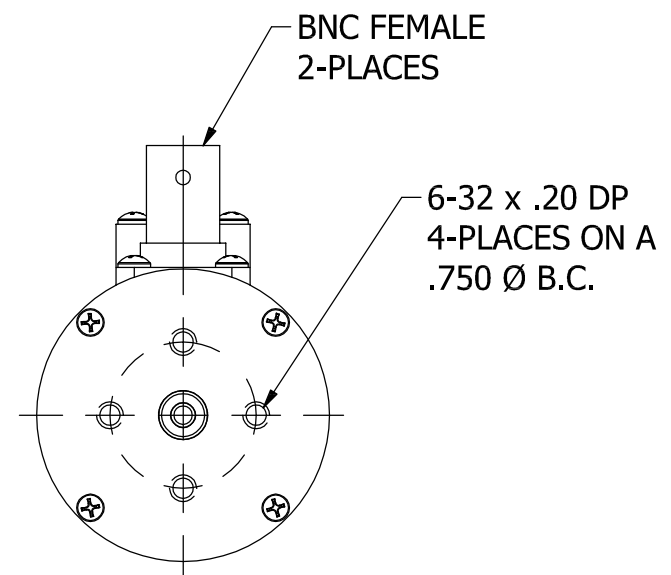
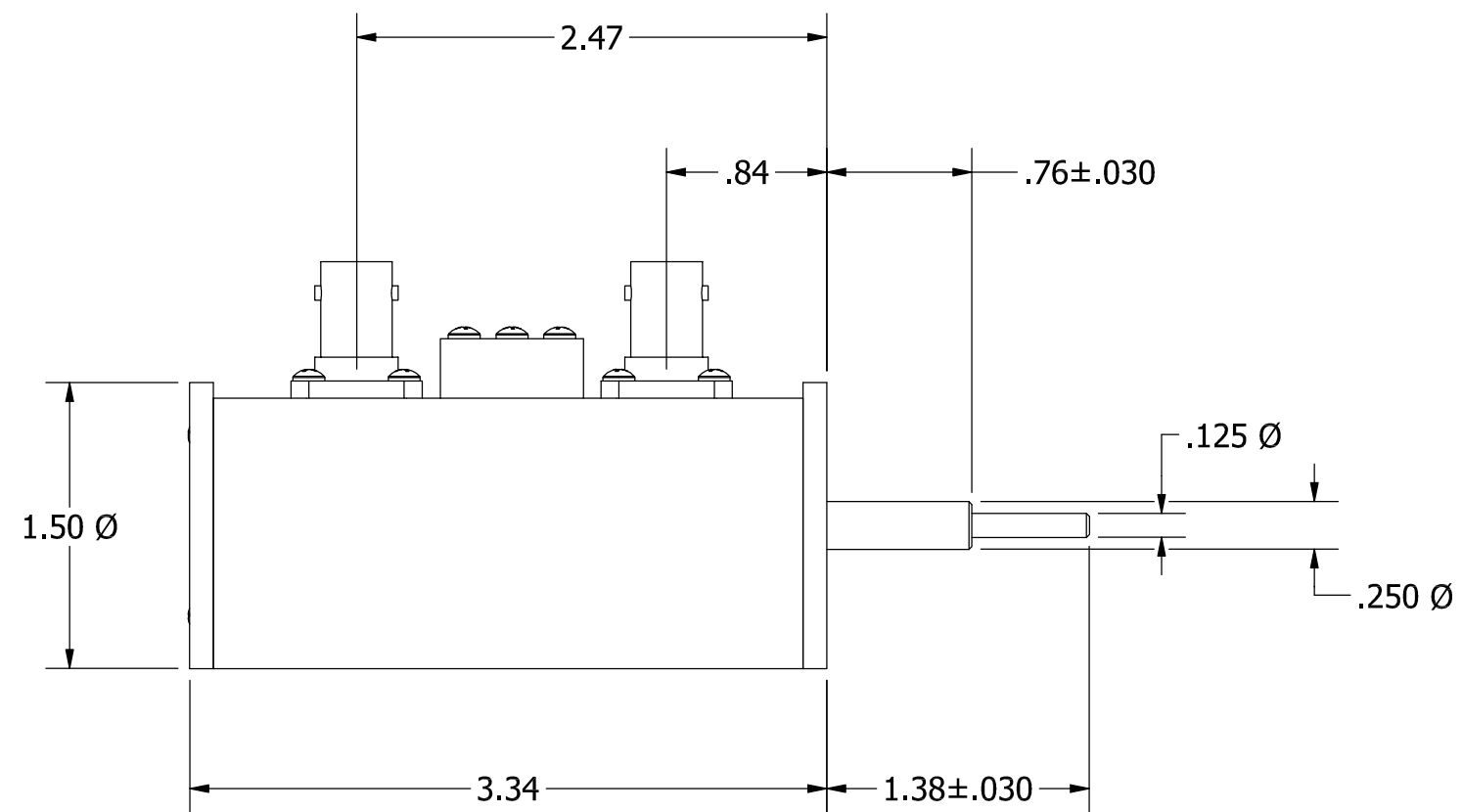
Operating Temperature Range -20°C to +85°C

Lifetime 500,000 attenuation steps (each knob)

Knob/Panel Mounting Drawing 092-8435-02

Outline Drawing Number 092-327-08 (N female)

ECR/ECN #	DATE	REV	APPR / DATE	ECR/ECN #	DATE	REV	APPR / DATE
	02/16/2016		TRS 02/16/2016				
26889	07/29/2016	A	TRS 07/29/2016				
28157	10/05/2017	B	TRS 10/05/2017				



KNOB DETAIL

REV	ECN	DATE	BY	APPR
-	ISSUED	4-9-08	TEZ	TRS
A	24444	9-17-15	JZ	TEZ

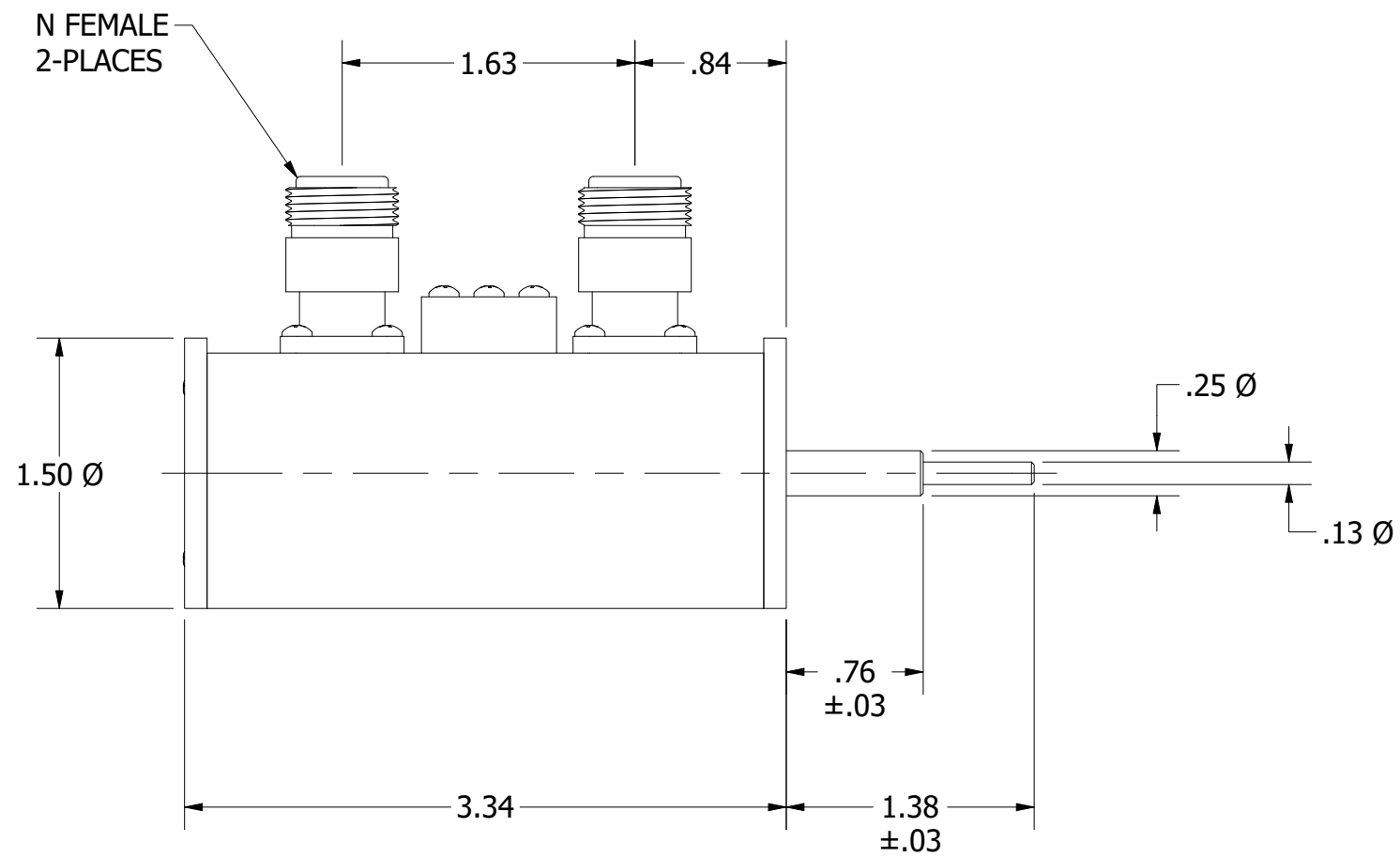


JFW INDUSTRIES, INC.

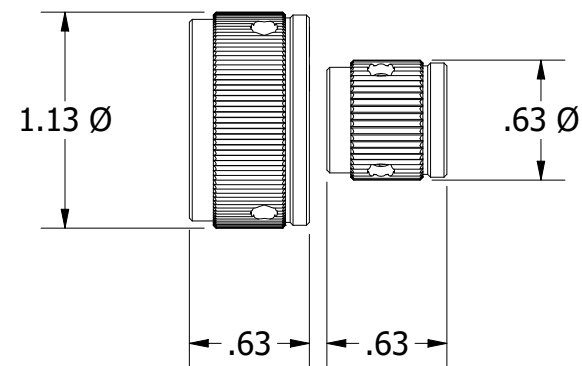
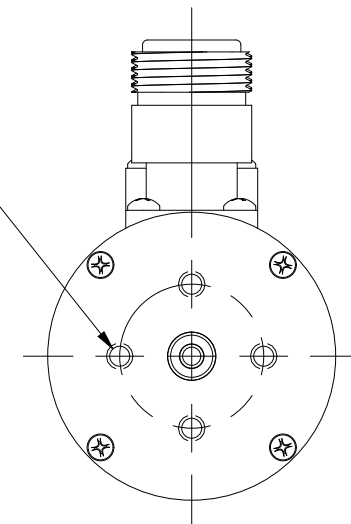
www.jfwindustries.com

PH: 317-887-1340

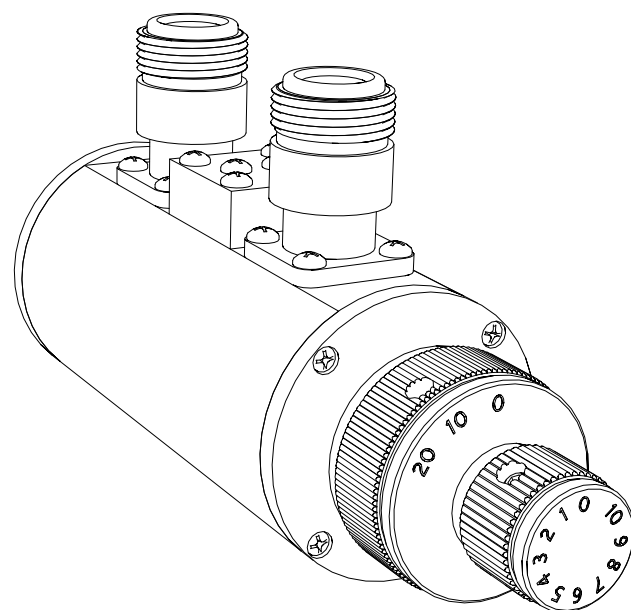
MATERIAL	ALUMINUM ALLOY	PROPRIETARY INFORMATION
FINISH	CHEMFILM TCP	ALL SURFACES ARE TO BE FREE OF BURRS, PITS & SCRATCHES
MODEL	50DR-XXX	SCALE FULL TOLERANCES .XX±.010 .XXX±.005 XX°±.5°
DESCRIPTION	0-30dB ROTARY ATTEN.	DWG # 092-5760



6-32 x .20 DP
4-PLACES ON
A .750 Ø B.C.



KNOB DETAIL



REV	ECN	DATE	BY	APPR
-	ISSUED	9-22-10	TEZ	TEZ
A	24444	9-18-19	GM	TEZ



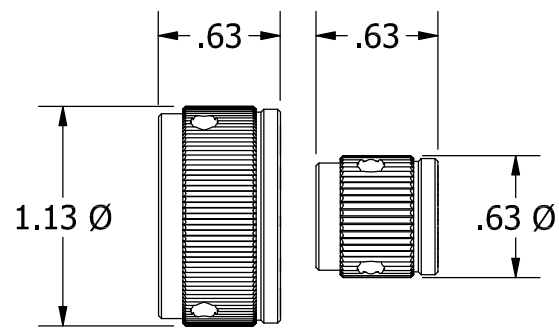
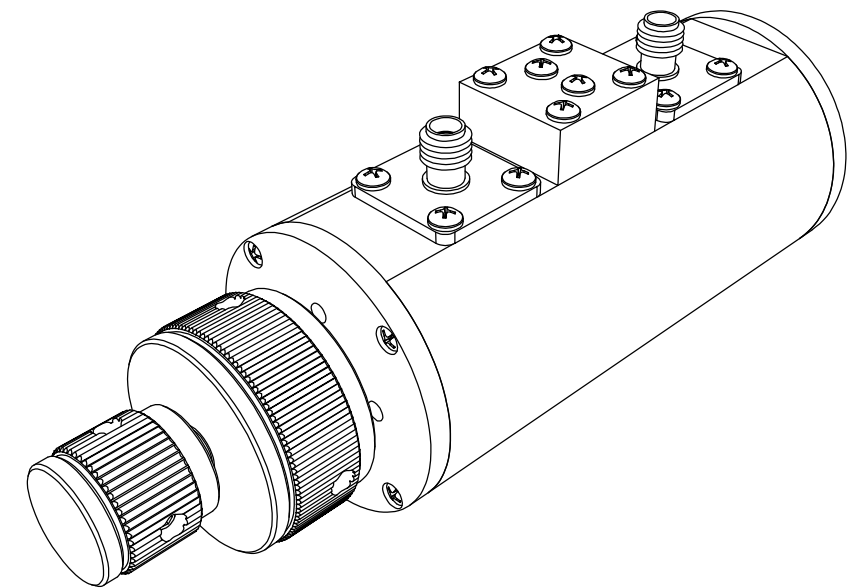
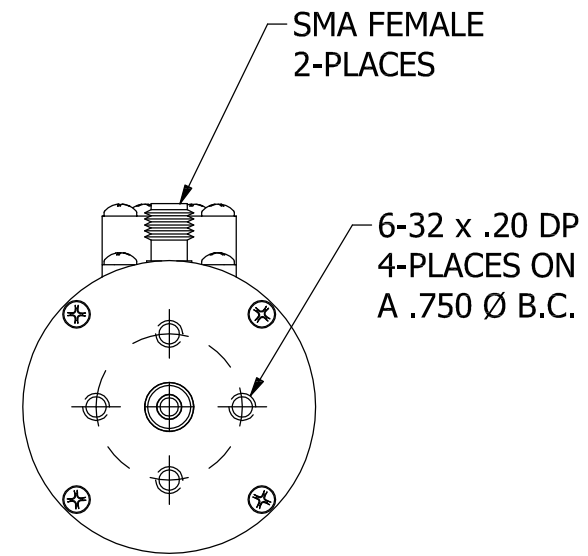
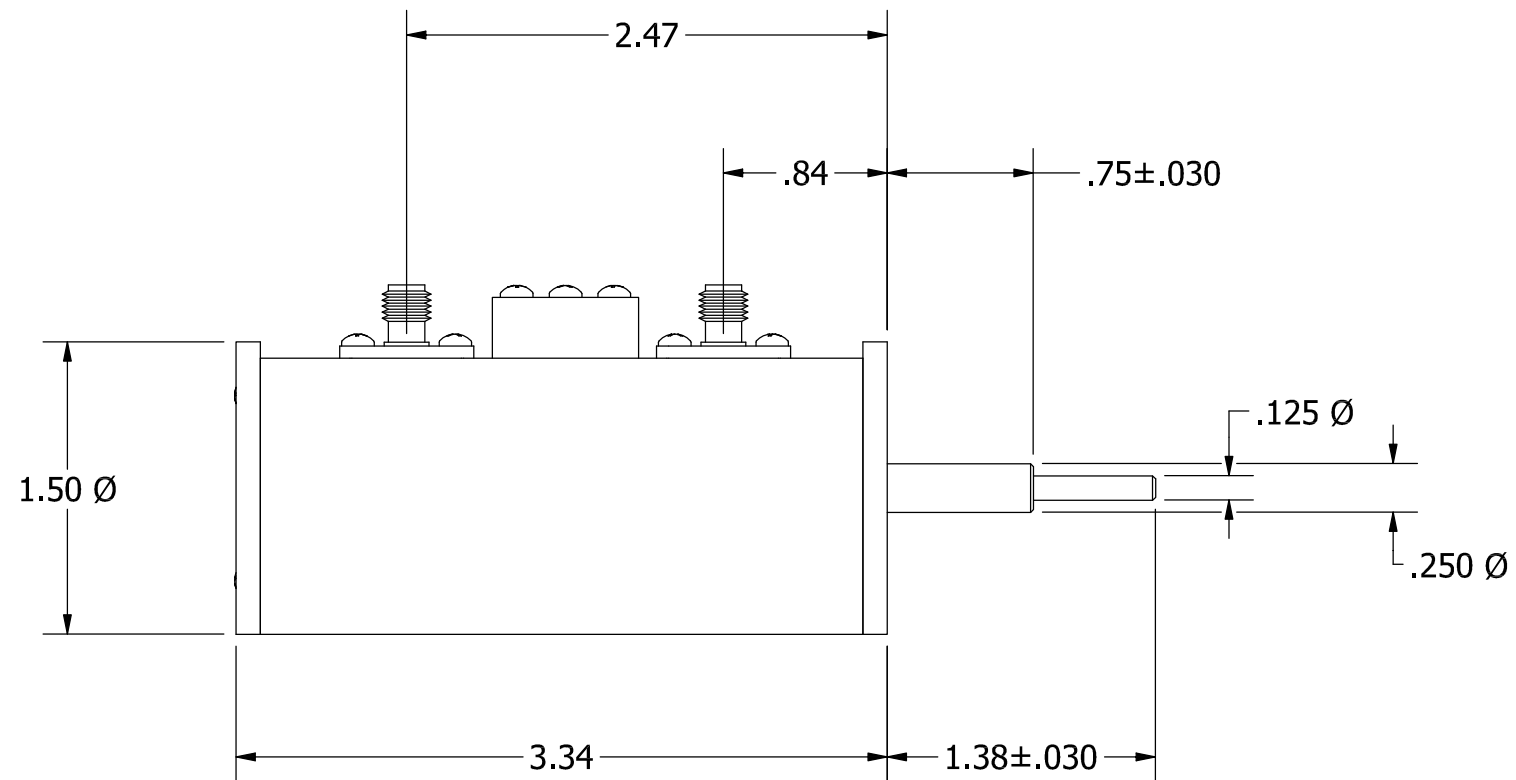
JFW INDUSTRIES, INC.

www.jfwindustries.com

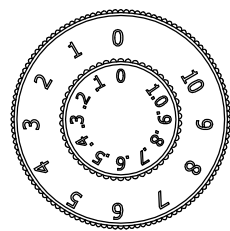
PH: 317-887-1340

MATERIAL	ALUMINUM ALLOY	PROPRIETARY INFORMATION
FINISH	CHEMFILM TCP	ALL SURFACES ARE TO BE FREE OF BURRS, PITS & SCRATCHES
MODEL	50DR-XXX	TOLERANCES
DESCRIPTION	ROTARY ATTENUATOR	.XX±.010 .XXX±.005 XX°±.5°
		DWG #
		092-6720

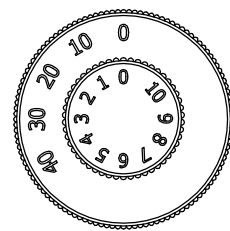
SCALE FULL



KNOB DETAIL



0-11 x 0.1 MODELS



0-50 x 1 MODELS

REV	ECN	DATE	BY	APPR
-	ISSUED	11-2-92	TEZ	FDW
A	3934	4-15-93	TEZ	FDW
B	6166	1-19-00	TEZ	FDW
C	6594	1-24-01	CDJ	TEZ
D	6750	6-11-01	CDJ	TEZ
E	12635	4-20-06	ETW	TEZ
F	23329	10-3-13	JZ	TEZ
G	24444	11-24-15	JZ	TEZ

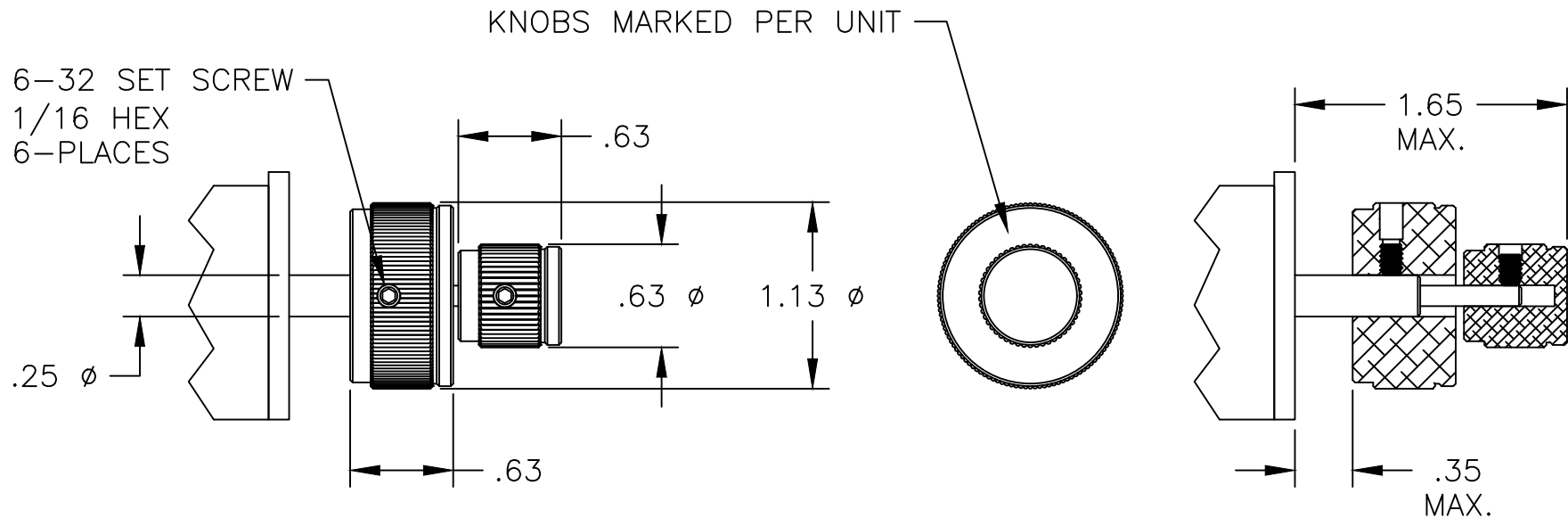


JFW INDUSTRIES, INC.

www.jfwindustries.com

PH: 317-887-1340


MATERIAL	ALUMINUM ALLOY	PROPRIETARY INFORMATION
FINISH	CHEMFILM TCP	ALL SURFACES ARE TO BE FREE OF BURRS, PITS & SCRATCHES
MODEL	50DR-XXX	SCALE FULL
DESCRIPTION	ROTARY ATTENUATOR	TOLERANCES .XX±.010 .XXX±.005 XX°±.5°
		DWG # 092-1919



NOTE: PANEL THICKNESS IN ADDITION TO SCREW HEAD MUST NOT EXCEED .35 INCH MAXIMUM.

SET SCREWS FOR SMALL KNOB: 6-32 x 3/16 WITH 1/16 HEX HEAD (JFW #027-318)

SET SCREWS FOR LARGE KNOB: 6-32 x 5/16 WITH 1/16 HEX HEAD (JFW #027-319)

REV	ECN	DATE	BY	APPR				
-	ISSUED	9-24-2015	JZ	TEZ	 JFW INDUSTRIES, INC. www.jfwindustries.com PH: 317-887-1340			
A	28025	8-14-2017	DTS	TRS				
					MATERIAL	ALUMINUM ALLOY	PROPRIETARY INFORMATION	
					FINISH	BLACK ANODIZE		ALL SURFACES ARE TO BE FREE OF BURRS, PITS, & SCRATCHES
					MODEL	132-002 & 132-003	SCALE FULL	TOLERANCES
					DESCRIPTION	ROTOR KNOB MOUNTING		.XX±.010 .XXX±.005 XX±.5'
							DWG #	092-8435-02