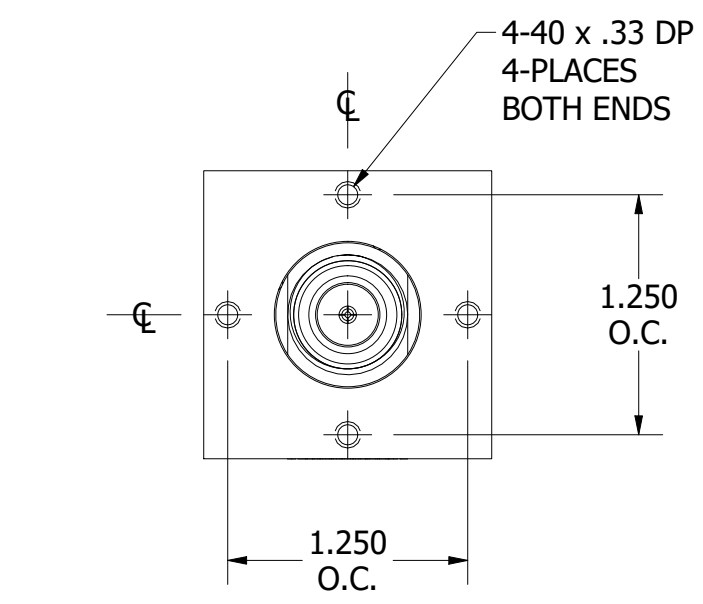
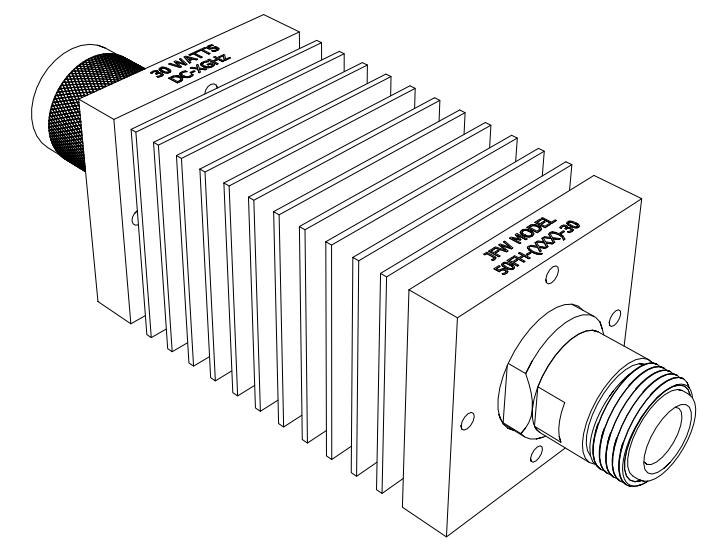
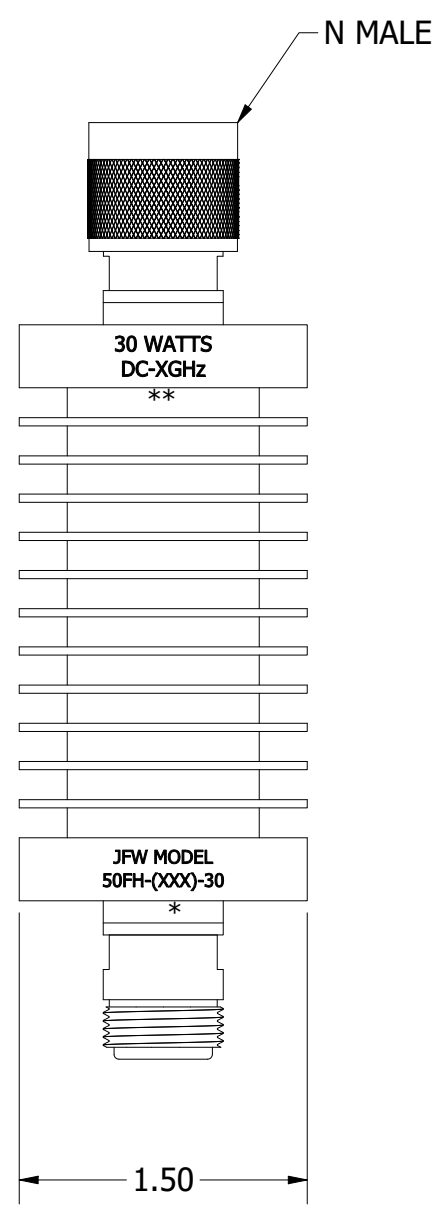
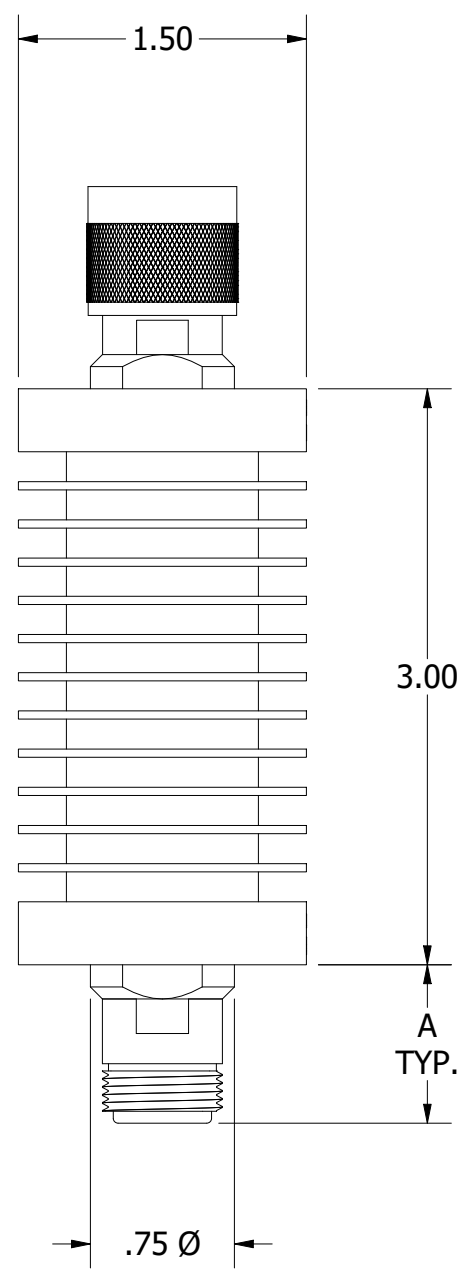
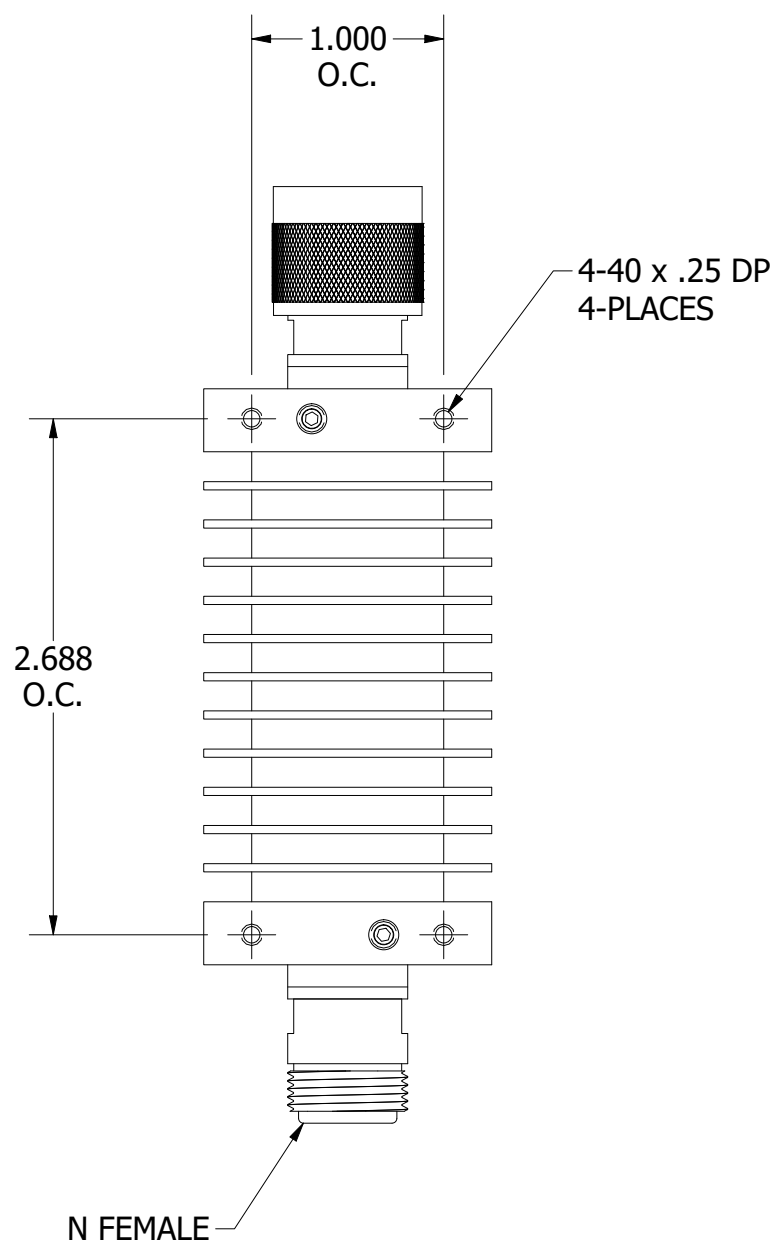


SPECIFICATION SHEET
JFW MODEL 50FH-XXX-30-3
FIXED ATTENUATOR

JFW Industries, Inc.
 Phone: 317-887-1340
 sales@jfwindustries.com
 www.jfwindustries.com

Frequency Range	DC-3000 MHz
Impedance	50 Ohms nominal
Attenuation Values	1 Thru 50 dB (any 1 dB increment)
VSWR	1.4:1 maximum
Attenuation Accuracy	± 0.5 dB
RF Input Power	30 Watts average @ +25°C Derate to 15 Watts @ +85°C
Peak Power	1000 Watts
RF Connector	BNC, N, TNC, SMA, 4.1-9.5, 4.3-10.0 or 7/16
Operating Temperature Range	-55°C to +100°C
Physical Size	See outline drawing 092-311

ECR/ECN #	DATE	REV	APPR / DATE	ECR/ECN #	DATE	REV	APPR / DATE
4400	12/23/2003	B	CLV 12/29/2003	18627	05/07/2010	D	SMR 05/07/2010
9999	06/27/2003	A	SL 10/15/2003	20546	09/07/2011	E	TRS 09/07/2011
17299	06/10/2009	C	SMR 06/10/2009	26007	12/14/2015	F	CLK 12/14/2015



CONNECTOR	DIM. A ±.03
SMA MALE	.66
SMA FEMALE	.62
BNC MALE	.90
BNC FEMALE	.70
TNC MALE	.90
TNC FEMALE	.70
N MALE	1.05
N FEMALE	.83
7/16 MALE	1.91
7/16 FEMALE	1.83
4.1/9.5 MALE	1.05
4.1/9.5 FEMALE	1.05
4.3/10 MALE	1.16
4.3/10 FEMALE	1.12

NOTES: * INSERT ATTENUATION VALUE i.e. 030 = 30dB
 ** INSERT FREQ. RANGE i.e. 1 = 1GHz

REV	ECN	DATE	BY	APPR	REV	ECN	DATE	BY	APPR
-	ISSUED	11-30-83	---	---	P	24444	9-11-19	GM	JZ
A	2372	2-23-89	PT	TEZ					
B	3021	8-24-90	PT	TEZ					
C	3740	9-15-92	TEZ	FDW					
D	5096	10-1-96	JES	TEZ					
E	6398	9-5-00	CMB	TEZ					
F	6516	12-6-00	CDJ	TEZ					
G	6989	1-24-02	CMB	TEZ					
H	7547	9-2-03	TEZ	FDW					
J	7639	11-12-03	TEZ	FDW					
K	7697	12-29-03	BZ	TEZ					
L	12597	4-5-06	TEZ	BAC					
M	21668	6-20-12	BZ	TEZ					
N	26009	12-15-15	JZ	TEZ					

JFW INDUSTRIES, INC.

www.jfwindustries.com PH: 317-887-1340

MATERIAL	ALUMINUM ALLOY	PROPRIETARY INFORMATION
FINISH	BLACK ANODIZE	ALL SURFACES ARE TO BE FREE OF BURRS, PITS & SCRATCHES
MODEL	50FH-XXX-30	TOLERANCES .XX±.010 .XXX±.005 XX*±.5°
DESCRIPTION	FIXED ATTENUATOR	DWG # 092-311