

SPECIFICATION SHEET

JFW MODEL 50FH-XXX-300-2

FIXED ATTENUATOR

JFW Industries, Inc.
Phone: 317-887-1340
sales@jfwindustries.com
www.jfwindustries.com

Frequency Range DC-2000 MHz

Impedance 50 Ohms nominal

Attenuation Values 3 through 40 dB in any 1 dB increment

VSWR 1.4:1 maximum

Attenuation Accuracy ± 0.5 dB or 3%

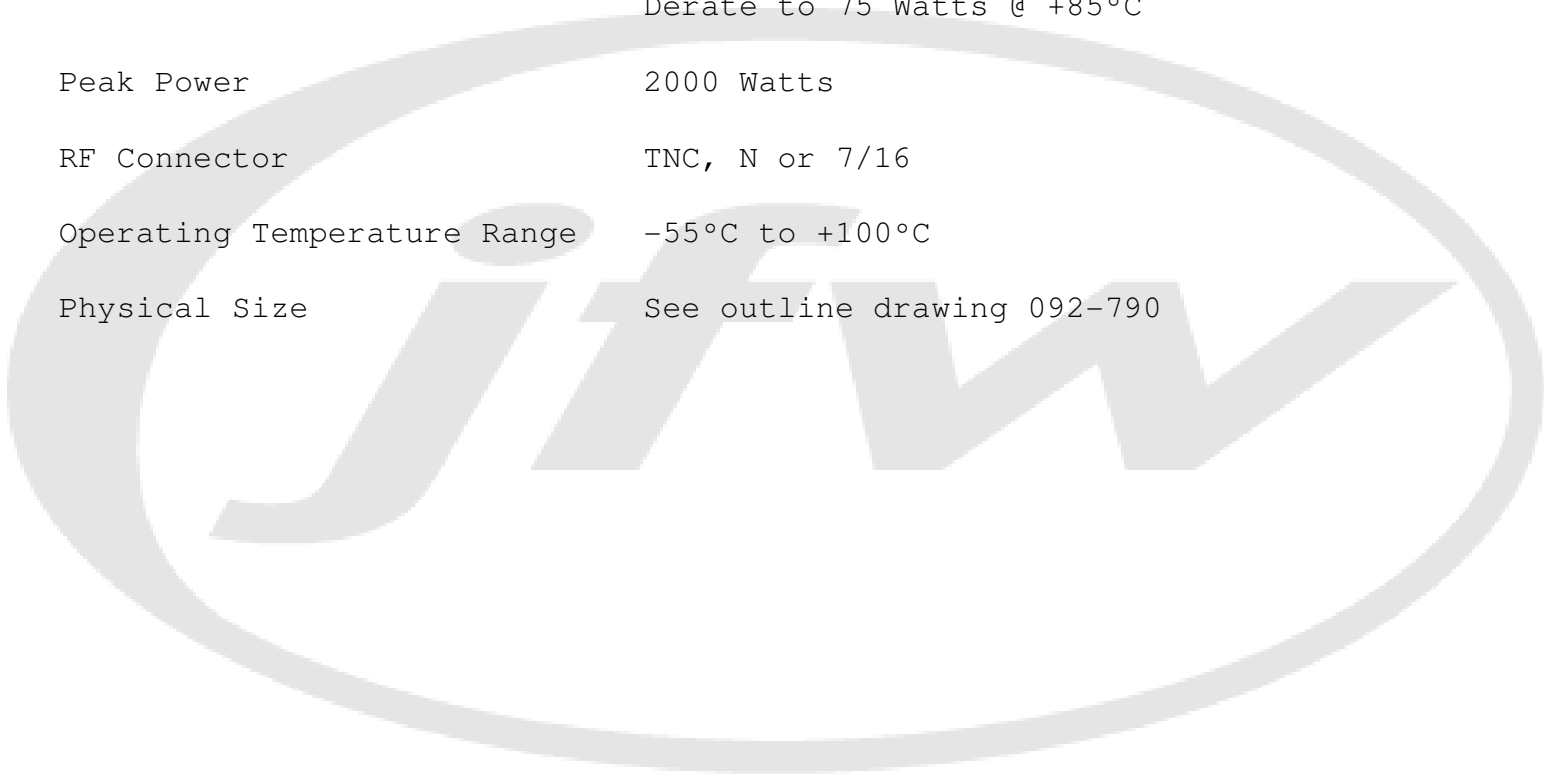
RF Input Power 300 Watts average @ +25°C
Derate to 75 Watts @ +85°C

Peak Power 2000 Watts

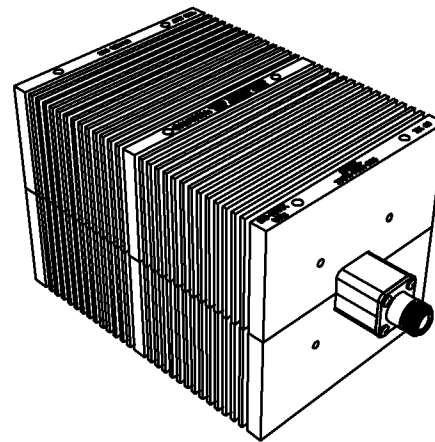
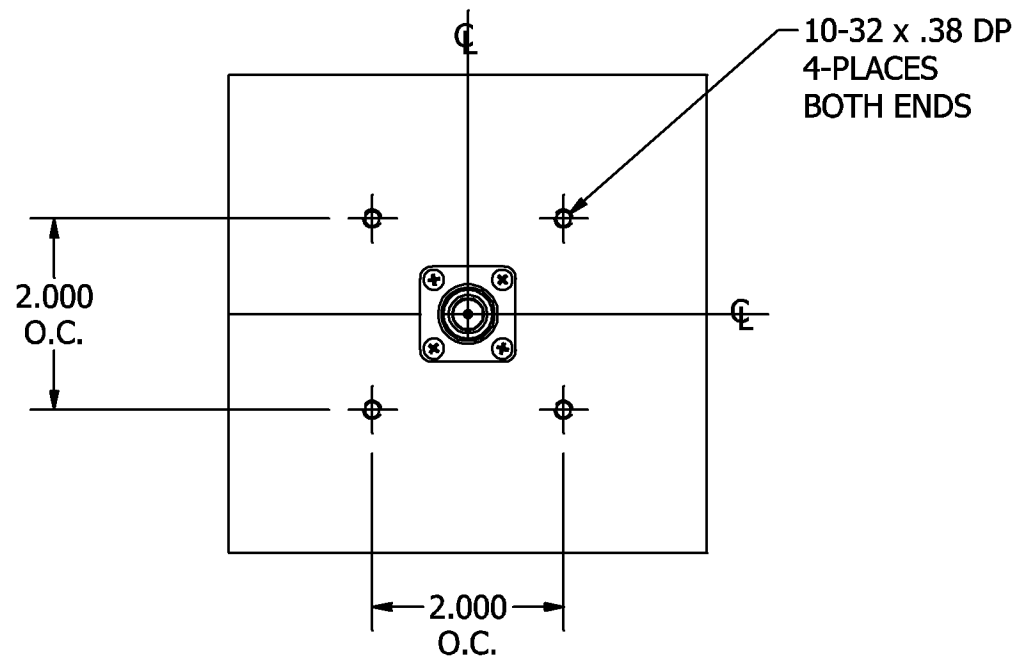
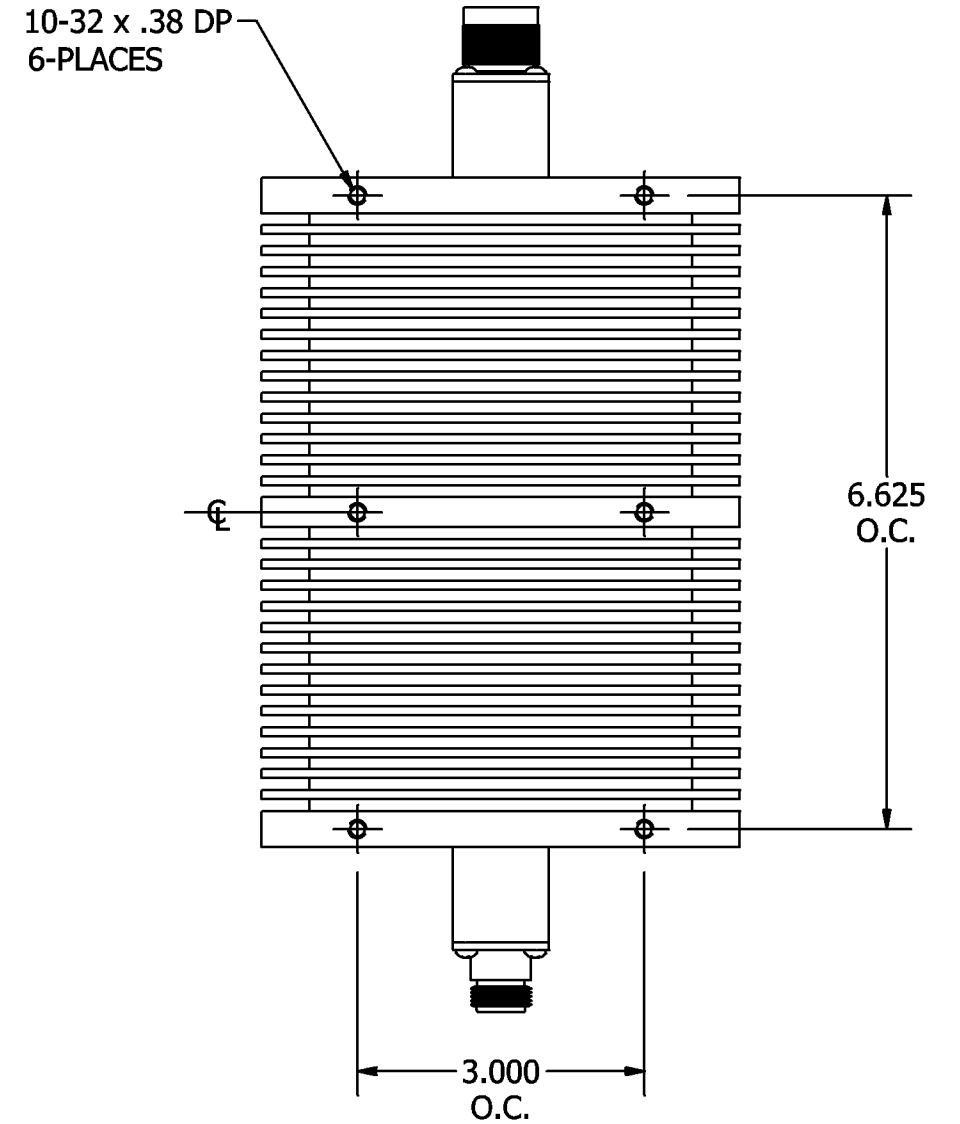
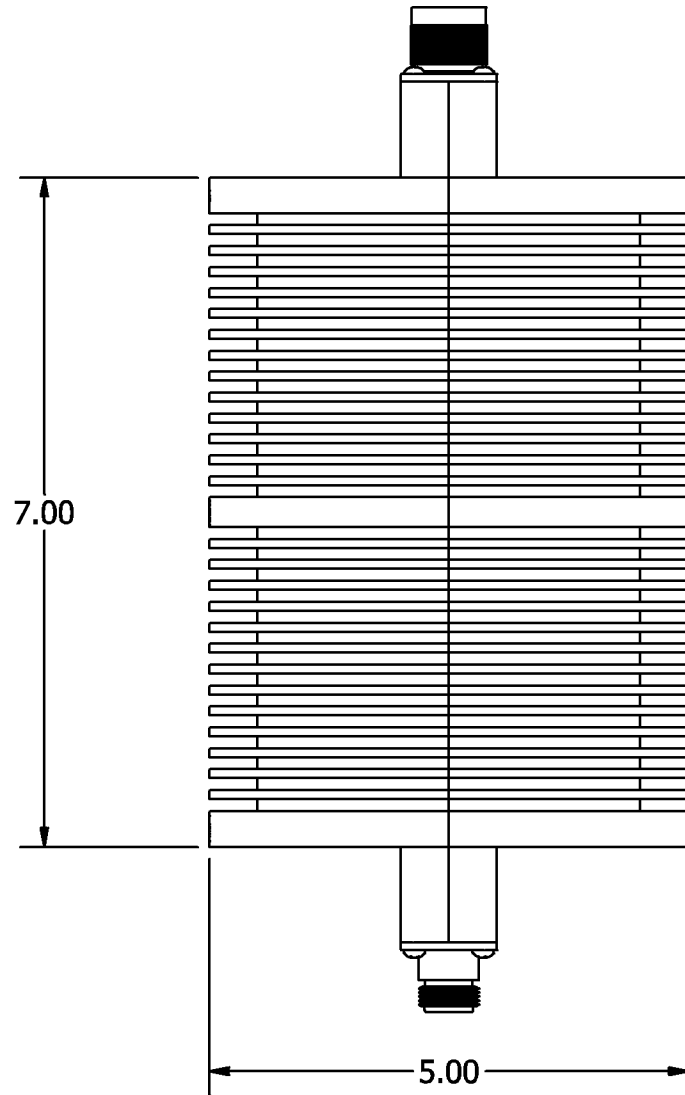
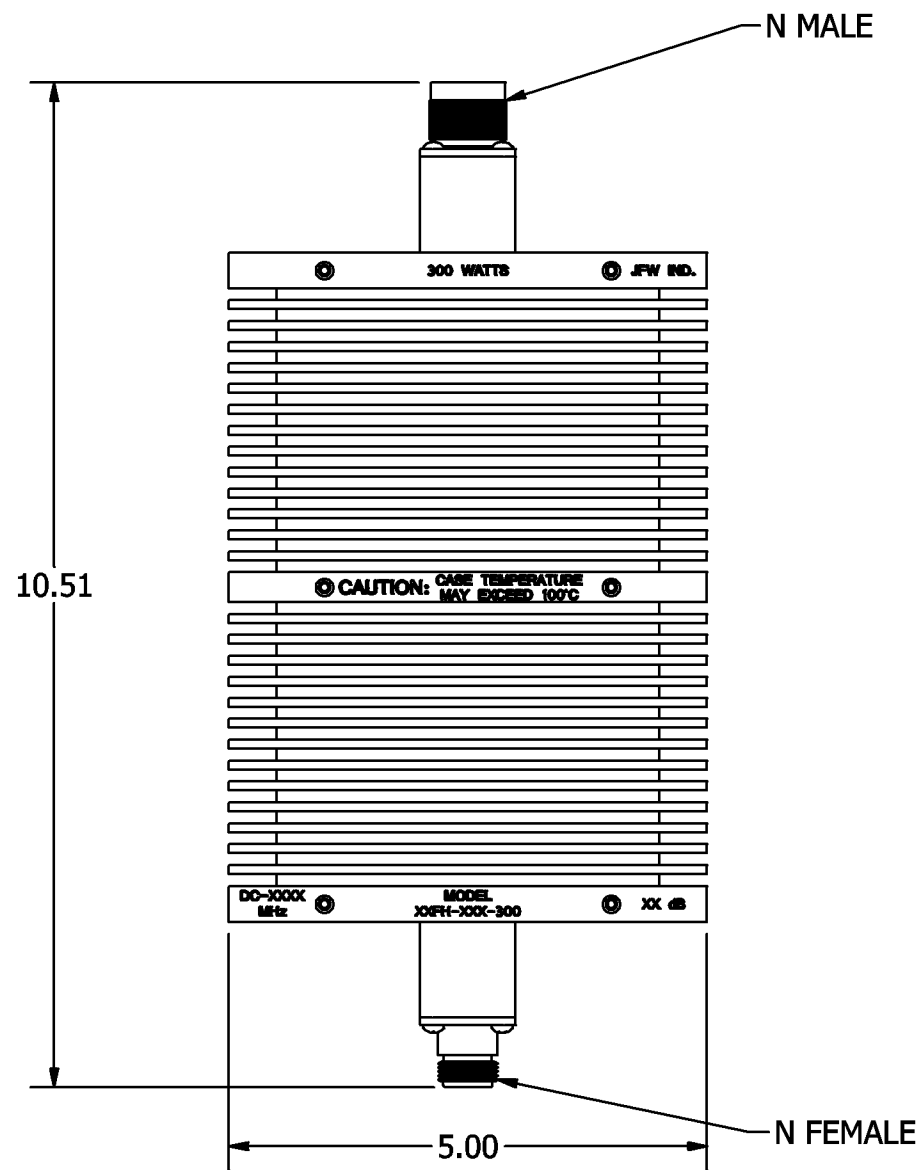
RF Connector TNC, N or 7/16

Operating Temperature Range -55°C to +100°C

Physical Size See outline drawing 092-790



ECR/ECN #	DATE	REV	APPR / DATE	ECR/ECN #	DATE	REV	APPR / DATE
134	05/06/1993	A		786	07/30/1997	D	
681	02/28/1997	B		905	11/25/1997	E	
704	03/24/1997	C		9999	07/25/2003	F	SL 12/11/2003



*INSERT NOMINAL dB VALUE i.e. 003 = 3dB

REV	ECN	DATE	BY	APPR
-	ISSUED	---	-	-
A	1554	2-25-87	JD	FDW
B	1639	5-14-87	PT	FDW
C	1862	12-21-87	PT	FDW
D	2498	5-5-89	TEZ	FDW
E	3740	9-15-92	TEZ	FDW
F	5148	11-19-96	CDJ	PT
G	6989	1-24-02	CMB	TEZ
H	16932	3-9-09	BZ	TEZ
J	21962	10-4-12	JZ	TEZ
K	27977	7-26-17	TEZ	TEZ



JFW INDUSTRIES, INC.

www.jfwindustries.com

PH: 317-887-1340

MATERIAL	ALUMINUM ALLOY	PROPRIETARY INFORMATION
FINISH	CHEMFILM / HEATSINK: BLACK PAINT	ALL SURFACES ARE TO BE FREE OF BURRS, PITS & SCRATCHES
MODEL	XXFH-XXX-300	TOLERANCES .XX±.010 .XXX±.005 XX°±.5°
SCALE	1/2	DWG #
DESCRIPTION	300 WATT FIXED ATTENUATOR	092-790