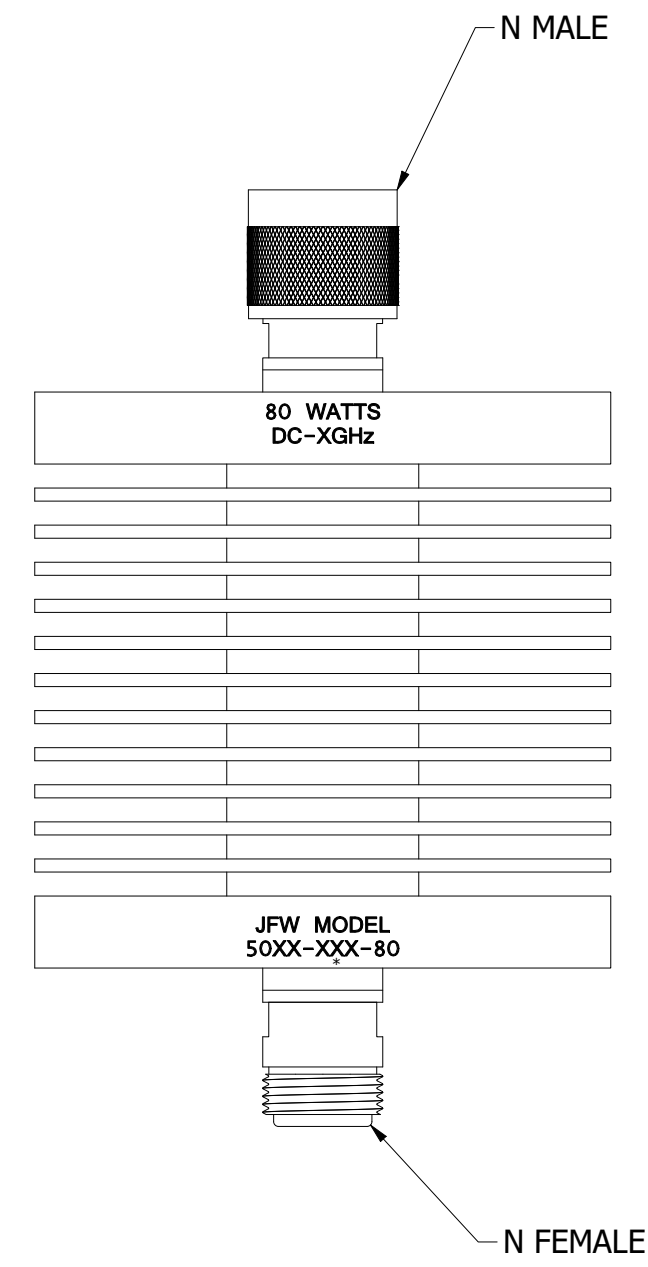
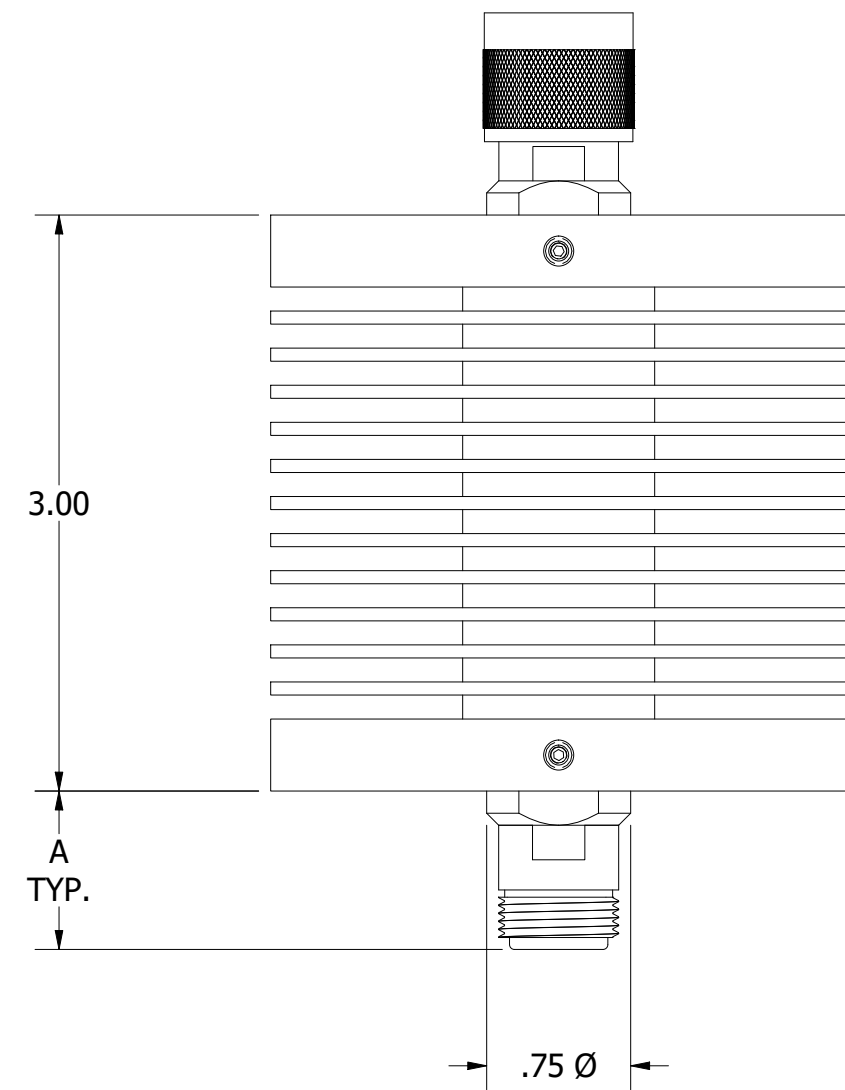


**SPECIFICATION SHEET**  
**JFW MODEL 50FH-XXX-80-3**  
**FIXED ATTENUATOR**

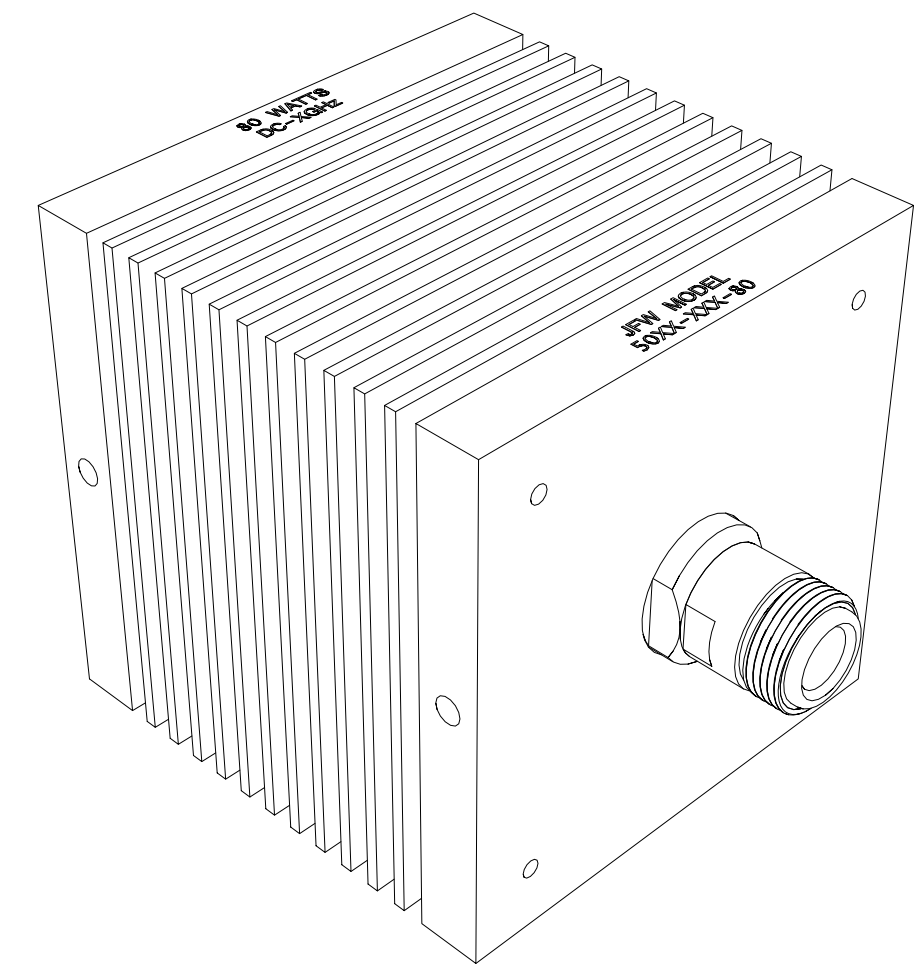
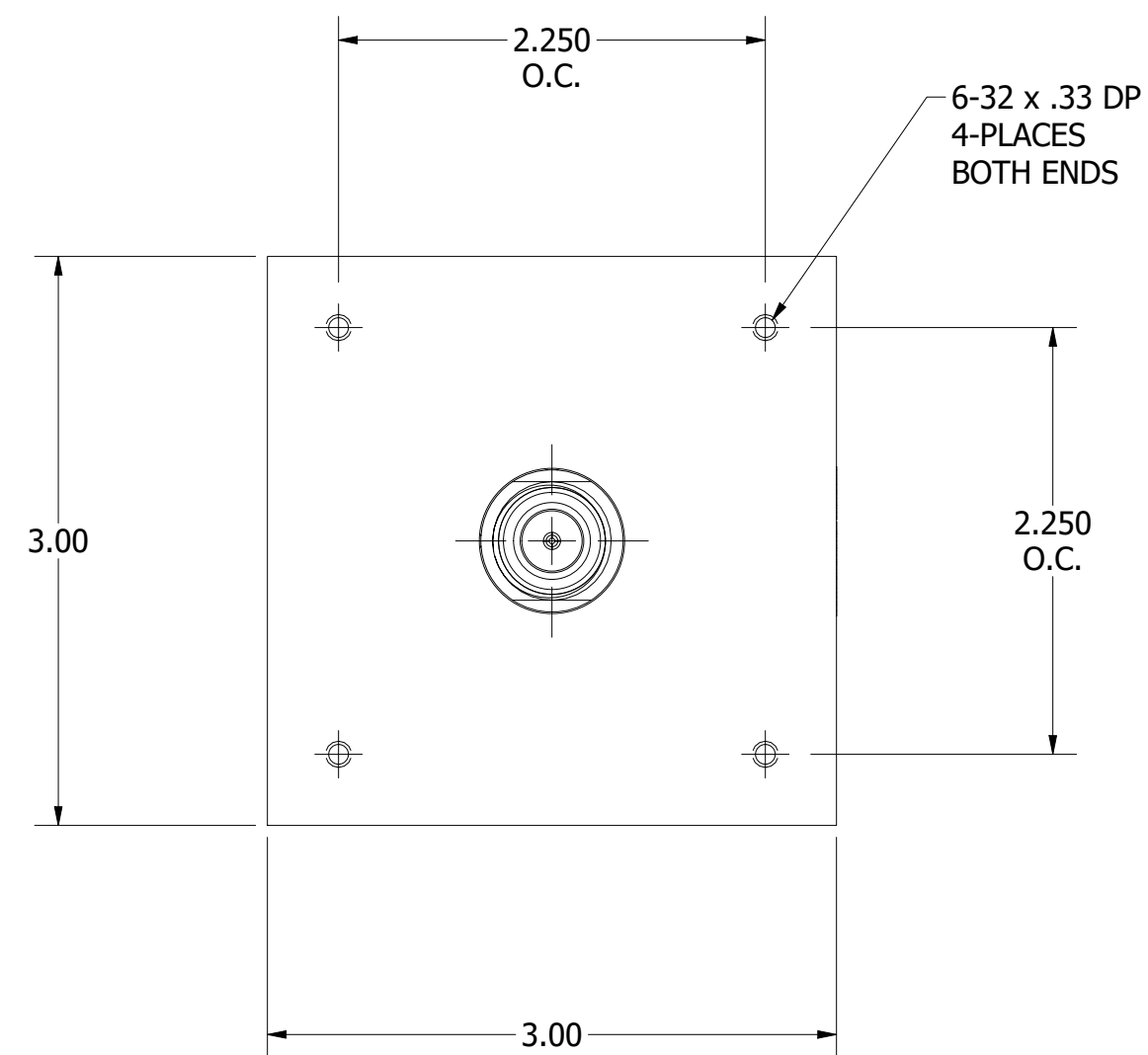
JFW Industries, Inc.  
 Phone: 317-887-1340  
 sales@jfwindustries.com  
 www.jfwindustries.com

Frequency Range	DC-3000 MHz
Impedance	50 Ohms nominal
Attenuation Values	1 thru 50 dB in any 1 dB increment
VSWR	For 1-14 dB: 1.4:1 maximum For 15-50 dB: 1.3:1 maximum
Attenuation Accuracy	± 0.5 dB maximum
RF Input Power	80 Watts average @ +25°C Derate to 40 Watts @ +85°C
Peak Power	1000 Watts (1 microsecond pulse)
RF Connector	BNC, N, SMA, TNC, 4.1-9.5, 4.3-10.0 or 7/16
Operating Temperature Range	-55°C to +100°C
Physical Size	See outline drawing 092-6447

ECR/ECN #	DATE	REV	APPR / DATE	ECR/ECN #	DATE	REV	APPR / DATE
	10/22/2013		TRS 10/22/2013				
26007	12/14/2015	A	CLK 12/14/2015				



CONNECTOR	DIM. A ±.03
SMA MALE	.66
SMA FEMALE	.62
BNC MALE	.90
BNC FEMALE	.70
TNC MALE	.90
TNC FEMALE	.70
N MALE	1.05
N FEMALE	.83
7/16 MALE	1.41
7/16 FEMALE	1.32
4.1/9.5 MALE	1.05
4.1/9.5 FEMALE	1.05
4.3/10 MALE	1.16
4.3/10 FEMALE	1.12



NOTE: \* INSERT ATTENUATION VALUE i.e. 030 = 30dB

REV	ECN	DATE	BY	APPR		
-	ISSUED	2-1-10	BZ	TEZ		
A	26009	12-15-15	JZ	TEZ		
B	24444	9-18-19	GM	TEZ		
					<b>JFW INDUSTRIES, INC.</b> www.jfwindustries.com PH: 317-887-1340	
					MATERIAL	ALUMINUM ALLOY
					FINISH	BLACK ANODIZE
					MODEL	50XX-XXX-80
					SCALE	FULL
					DESCRIPTION	80 WATT FIXED ATTENUATOR
					PROPRIETARY INFORMATION ALL SURFACES ARE TO BE FREE OF BURRS, PITS & SCRATCHES TOLERANCES .XX±.010 .XXX±.005 XX*±.5" DWG # 092-6447	