

SPECIFICATION SHEET

JFW MODEL 50FHAO-XXX-100

FIXED ATTENUATOR

JFW Industries, Inc.
Phone: 317-887-1340
sales@jfwindustries.com
www.jfwindustries.com

Frequency Range DC-3000 MHz

Impedance 50 Ohms nominal

Attenuation Values 1 thru 50 dB in any 1 dB increment

VSWR For 1-14 dB: 1.4:1 maximum
For 15-50 dB: 1.3:1 maximum

Attenuation Accuracy ± 0.5 dB

RF Input Power 100 Watts average @ +25°C
Derate to 50 Watts @ +85°C

Peak Power 1000 Watts (1 microsecond pulse)

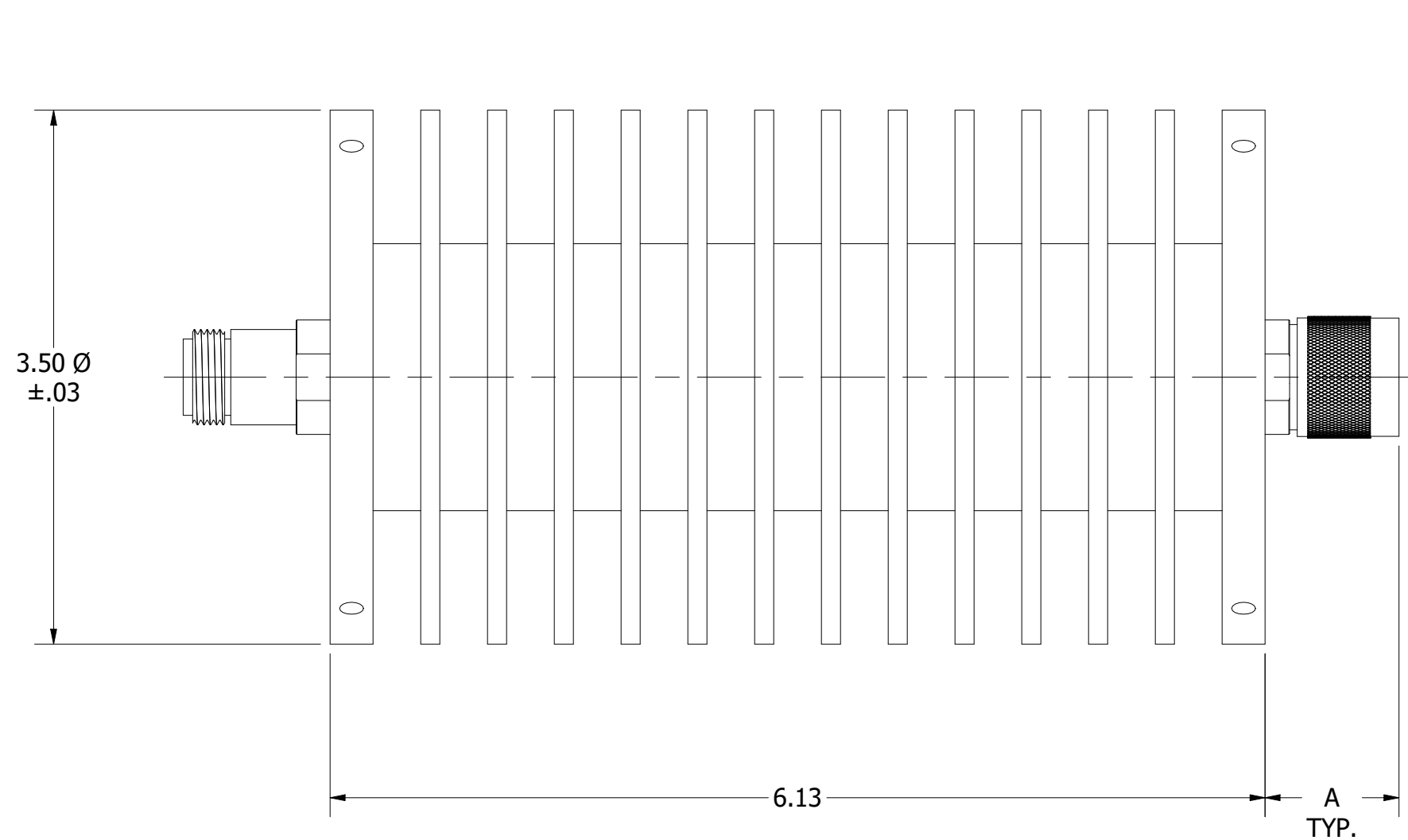
RF Connector SMA, TNC, BNC, N, 4.1-9.5, 4.3-10.0 or 7/16

Operating Temperature Range -55° C to +100° C

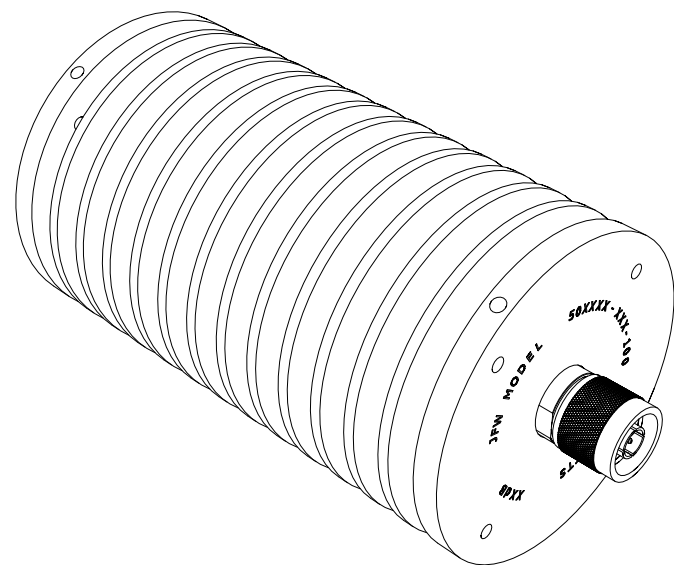
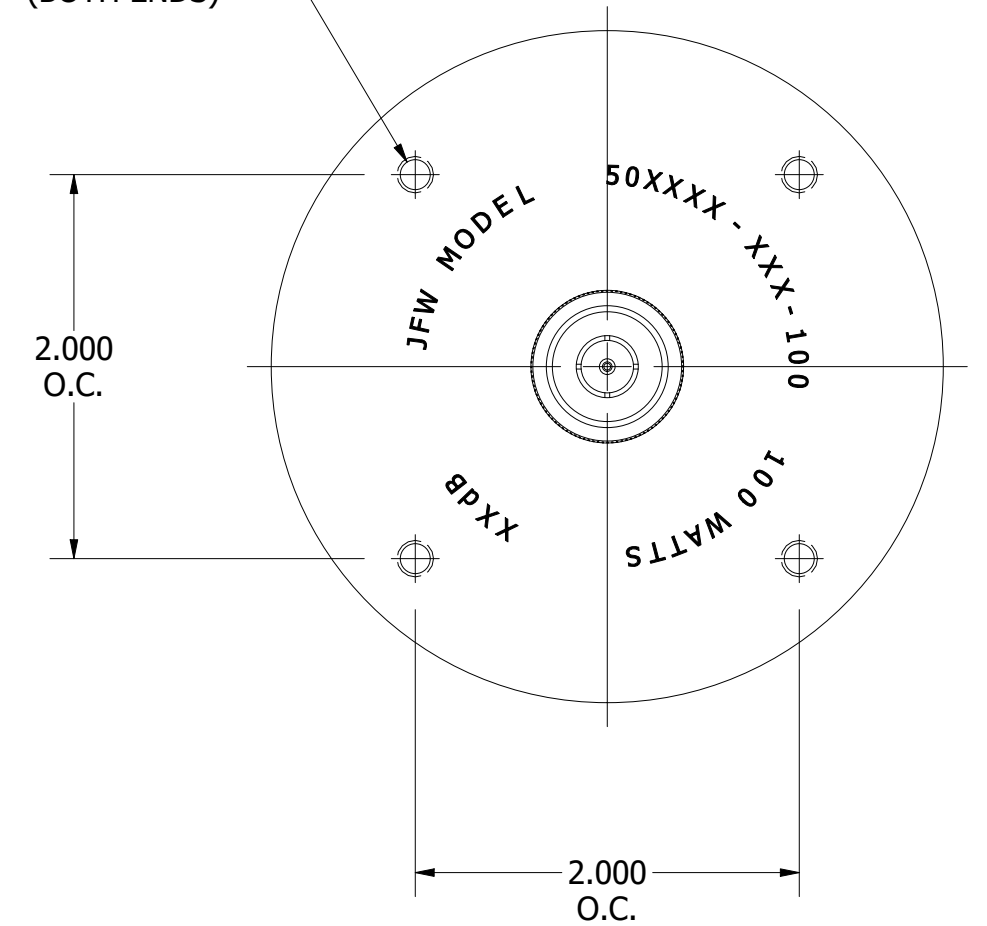
Weight 3.5 lbs typical

Physical Size See outline drawing 092-3164

ECR/ECN #	DATE	REV	APPR / DATE	ECR/ECN #	DATE	REV	APPR / DATE
15034	12/05/2007	J	SMR 12/05/2007	20523	08/31/2011	M	TRS 08/31/2011
18888	07/16/2010	K	SMR 07/16/2010	26007	12/14/2015	N	CLK 12/14/2015
20288	07/01/2011	L	TRS 07/01/2011	28452	01/24/2018	O	CLK 01/24/2018




10-32 x .38 DP
4-PLACES
(BOTH ENDS)



CONNECTOR	DIM. A ±.03
N MALE	.88
N FEMALE	.96
SMA MALE	.64
SMA FEMALE	.60
TNC MALE	.88
TNC FEMALE	.67
BNC MALE	.88
BNC FEMALE	.67
7/16 MALE	1.89
7/16 FEMALE	1.80
4.1/9.5 MALE	.85
4.1/9.5 FEMALE	.96
4.3/10 MALE	.85
4.3/10 FEMALE	1.03

* INSERT NOMINAL ATTEN. i.e. 006 = 6dB

REV	ECN	DATE	BY	APPR	 JFW INDUSTRIES, INC. www.jfwindustries.com PH: 317-887-1340	
-	ISSUED	12-27-01	MH	TEZ	MATERIAL ALUMINUM ALLOY	
A	14183	5-14-07	BZ	TEZ	FINISH BLACK ANODIZE	
B	15119	1-4-08	BZ	TEZ	MODEL 50XXXX-XXX-100	
C	20487	8-22-11	JZ	TEZ	SCALE FULL	
D	22423	1-23-13	JZ	CDJ	DESCRIPTION 100 WATT FIXED ATTENUATOR	
E	26009	12-15-15	JZ	TEZ	TOLERANCES .XX±.010 .XXX±.005 XX*±.5°	
F	28454	1-24-18	TEZ	TEZ	DWG # 092-3164	
G	24444	9-11-19	GM	TEZ	PROPRIETARY INFORMATION ALL SURFACES ARE TO BE FREE OF BURRS, PITS & SCRATCHES	