

**SPECIFICATION SHEET**

**JFW MODEL 50FHAO-XXX-75**

**FIXED ATTENUATOR**

JFW Industries, Inc.  
Phone: 317-887-1340  
sales@jfwindustries.com  
www.jfwindustries.com

Frequency Range DC-3000 MHz

Impedance 50 Ohms nominal

Attenuation Values 1 thru 50 dB in any 1 dB increment

VSWR For 1-14 dB: 1.4:1 maximum  
For 15-50 dB: 1.3:1 maximum

Attenuation Accuracy ± 0.5 dB

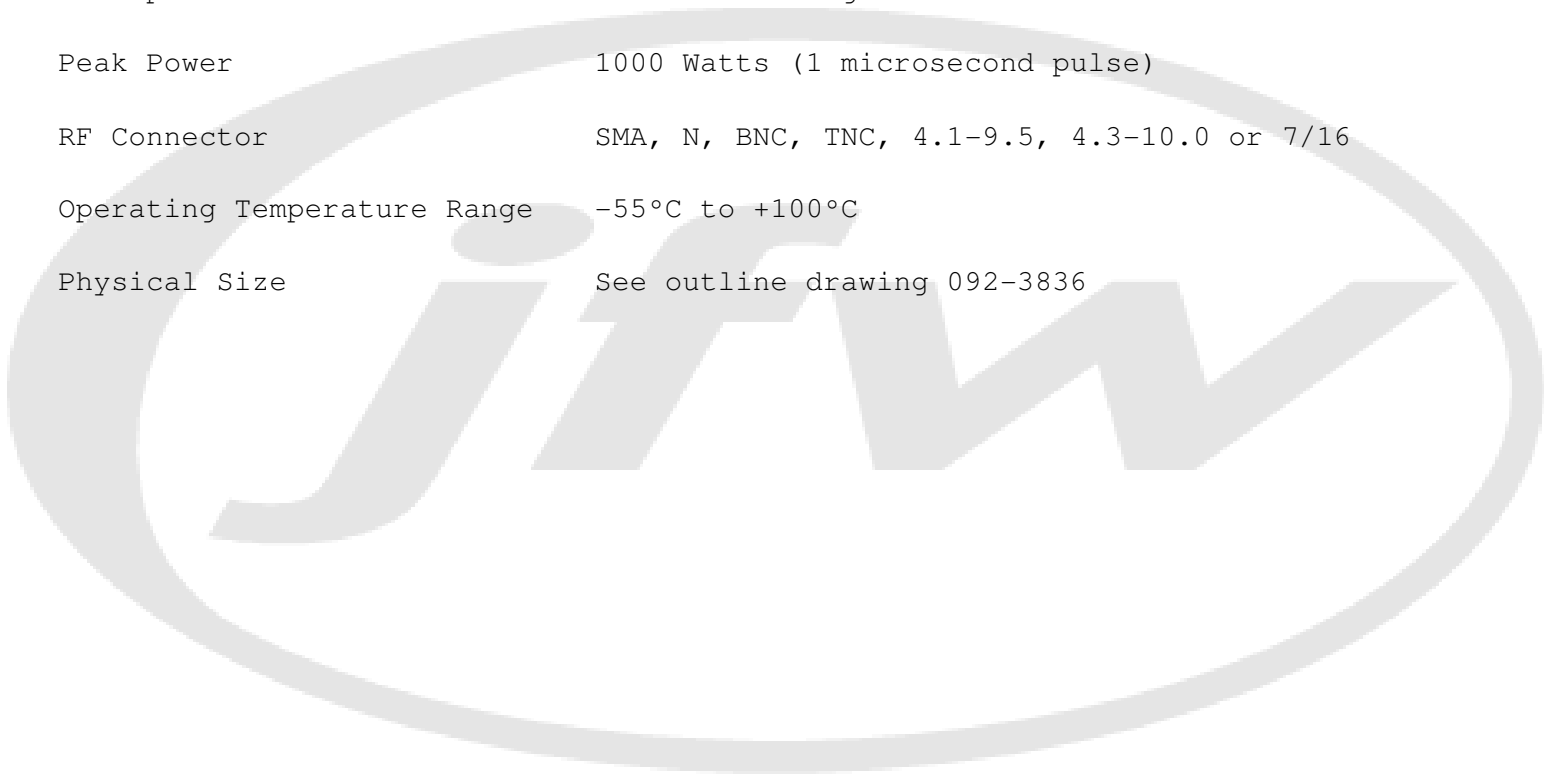
RF Input Power 75 Watts average @ +25°C

Peak Power 1000 Watts (1 microsecond pulse)

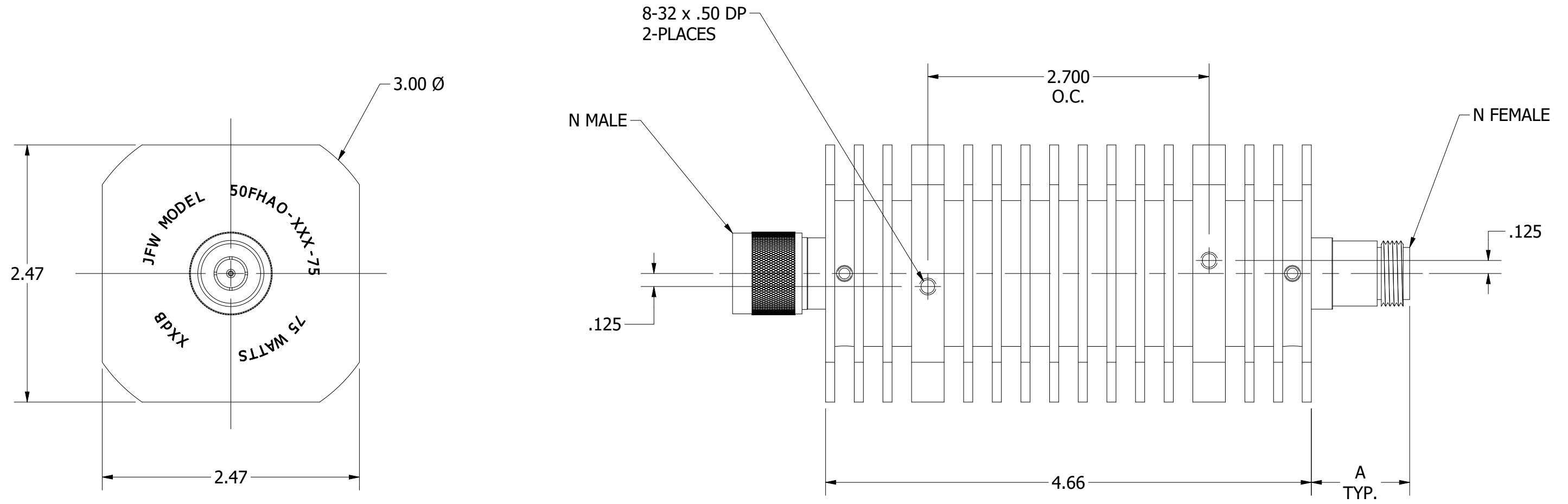
RF Connector SMA, N, BNC, TNC, 4.1-9.5, 4.3-10.0 or 7/16

Operating Temperature Range -55°C to +100°C

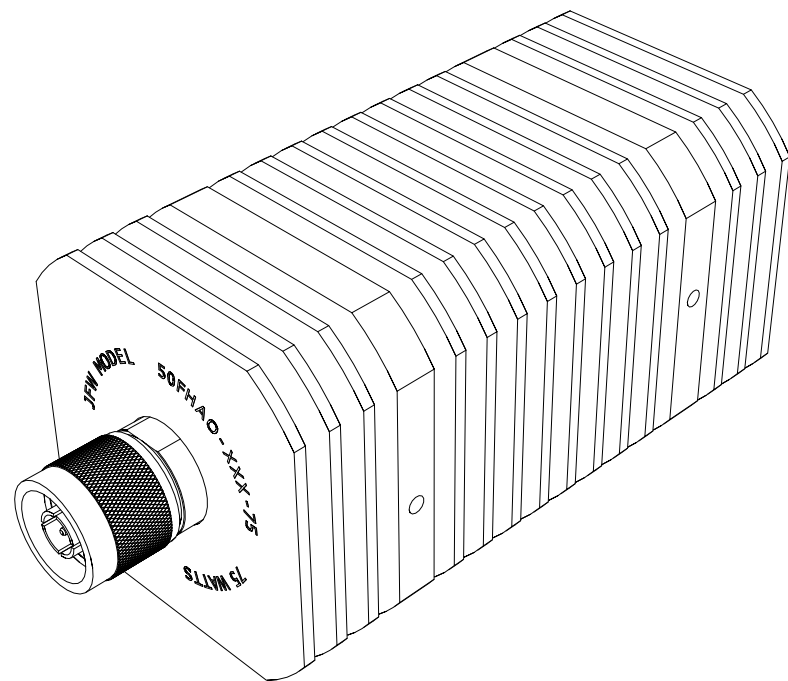
Physical Size See outline drawing 092-3836




ECR/ECN #	DATE	REV	APPR / DATE	ECR/ECN #	DATE	REV	APPR / DATE
9999	07/28/2003	B	SL 04/06/2004	20288	07/01/2011	E	TRS 07/01/2011
18119	01/15/2010	C	SMR 01/15/2010	20424	08/03/2011	F	TRS 08/05/2011
19004	08/13/2010	D	TRS 08/13/2010	26007	12/14/2015	G	CLK 12/14/2015



CONNECTOR	DIM. A ±.03
SMA MALE	.65
SMA FEMALE	.61
BNC MALE	.89
BNC FEMALE	.69
TNC MALE	.89
TNC FEMALE	.69
N MALE	.89
N FEMALE	.98
7/16 MALE	1.86
7/16 FEMALE	1.82
4.1/9.5 MALE	1.05
4.1/9.5 FEMALE	1.05
4.3/10 MALE	1.15
4.3/10 FEMALE	1.11



\* INSERT NOMINAL ATTEN. VALUE i.e. 030 = 30dB

REV	ECN	DATE	BY	APPR	 <b>JFW INDUSTRIES, INC.</b> <a href="http://www.jfwindustries.com">www.jfwindustries.com</a> PH: 317-887-1340	
-	ISSUED	12-13-01	MAH	TEZ		
A	7005	2-6-02	MAH	TEZ		
B	21520	5-1-12	JZ	TEZ		
C	26009	12-15-15	JZ	TEZ		
D	24444	9-11-19	GM	TEZ		
MATERIAL					ALUMINUM ALLOY	
FINISH					BLACK ANODIZE	
MODEL					50FHAO-XXX-75	
DESCRIPTION					75 WATT FIXED ATTENUATOR	
SCALE					FULL	
TOLERANCES					.XX±.010 .XXX±.005 XX*±.5°	
DWG #					092-3836	
PROPRIETARY INFORMATION					ALL SURFACES ARE TO BE FREE OF BURRS, PITS & SCRATCHES	