

SPECIFICATION SHEET
JFW MODEL 50FHC-XXX-10
FIXED ATTENUATOR

JFW Industries, Inc.
 Phone: 317-887-1340
 sales@jfwindustries.com
 www.jfwindustries.com

Frequency Range DC-4000 MHz (1-40 dB)
 DC-3000 MHz (41-60 dB)

Impedance 50 Ohms nominal

Attenuation Values 1-60 dB in any 1 dB increment
 (XXX) insert value

VSWR (1-40 dB) 1.15:1 maximum DC-1000 MHz
 1.35:1 maximum 1000-4000 MHz
 (41-60 dB) 1.15:1 maximum DC-1000 MHz
 1.35:1 maximum 1000-3000 MHz

Attenuation Accuracy (1-20 dB)
 ± 0.25 dB DC-1000 MHz
 ± 0.50 dB 1000-4000 MHz
 (21-30 dB)
 ± 0.50 dB DC-1000 MHz
 ± 0.75 dB 1000-4000 MHz
 (31-40 dB)
 ± 2% DC-2000 MHz
 ± 3% 2000-4000 MHz
 (41-60 dB)
 ± 2% DC-2000 MHz
 ± 3% 2000-3000 MHz

RF Input Power 10 Watts average @ +25°C
 Derate to 5 Watts @ +70°C

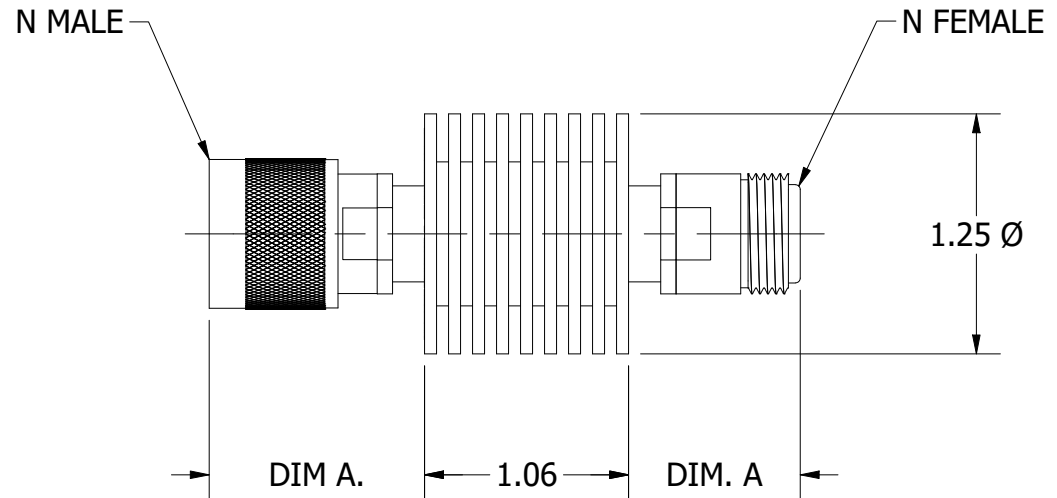
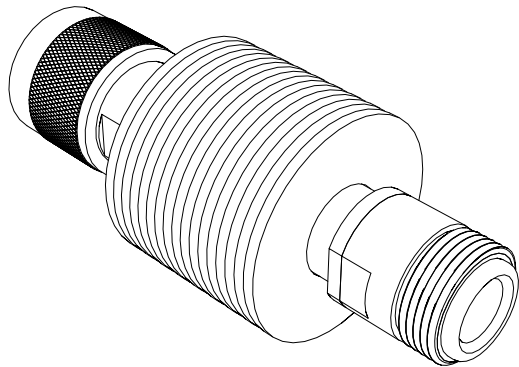
Peak Power 1000 Watts

RF Connector BNC, N, SMA, RPT, TNC, 4.1-9.5 or
 4.3-10.0
 (RPT = reverse polarity TNC)

Operating Temperature Range -55°C to +100°C

Physical Size See outline drawing 092-1879

ECR/ECN #	DATE	REV	APPR / DATE	ECR/ECN #	DATE	REV	APPR / DATE
24434	08/18/2014	B	BAC 08/18/2014	26007	12/14/2015	D	CLK 12/14/2015
24660	02/01/2017	D	CLK 02/01/2017	26024	12/14/2015	E	TRS 12/14/2015
24660	10/29/2014	C	CLK 10/29/2014	27851	06/07/2017	E	CLK 06/07/2017



CONNECTOR	DIM. A ±.03
SMA MALE	.73
SMA FEMALE	.69
BNC MALE	.97
BNC FEMALE	.77
TNC MALE	.97
TNC FEMALE	.77
N MALE	1.12
N FEMALE	.89
4.1/9.5 MALE	1.12
4.1/9.5 FEMALE	1.12
4.3/10 MALE	1.23
4.3/10 FEMALE	1.19

NOTE: MALE END TO BE MARKED WITH JFW MODEL NUMBER, ATTEN. VALUE, AND POWER RATING

REV	ECN	DATE	BY	APPR
-	ISSUED	8-4-92	---	FDW
A	7474	4-21-03	CJW	TEZ
B	7739	2-11-04	TEZ	FDW
C	7825	4-23-04	TEZ	FDW
D	13286	8-28-06	BZ	TEZ
E	21670	6-20-12	BZ	TEZ
F	22159	11-15-12	JZ	CLK
G	26009	12-14-15	JZ	TEZ
H	24444	9-6-19	GM	JZ



JFW INDUSTRIES, INC.

www.jfwindustries.com

PH: 317-887-1340

MATERIAL	ALUMINUM ALLOY	PROPRIETARY INFORMATION
FINISH	BLACK ANODIZE	ALL SURFACES ARE TO BE FREE OF BURRS, PITS & SCRATCHES
MODEL	SCALE FULL	TOLERANCES .XX±.010 .XXX±.005 XX°±.5°
DESCRIPTION	10 WATT FIXED ATTENUATOR	DWG # 092-1879