

SPECIFICATION SHEET

JFW MODEL 50FHC-XXX-20

FIXED ATTENUATOR

JFW Industries, Inc.
Phone: 317-887-1340
sales@jfwindustries.com
www.jfwindustries.com

Frequency Range DC-4000 MHz (1-40 dB)
DC-3000 MHz (41-60 dB)

Impedance 50 Ohms nominal

Attenuation Values 1-60 dB in any 1 dB increment
(XXX) insert value

VSWR (1-40 dB) 1.15:1 maximum DC-1000 MHz
1.35:1 maximum 1000-4000 MHz
(41-60 dB) 1.15:1 maximum DC-1000 MHz
1.35:1 maximum 1000-3000 MHz

Attenuation Accuracy (1-20 dB)
± 0.25 dB DC-1000 MHz
± 0.50 dB 1000-4000 MHz
(21-30 dB)
± 0.50 dB DC-1000 MHz
± 0.75 dB 1000-4000 MHz
(31-40 dB)
± 2% DC-2000 MHz
± 3% 2000-4000 MHz
(41-60 dB)
± 2% DC-2000 MHz
± 3% 2000-3000 MHz

RF Input Power 20 Watts average
Derate to 10 Watts @ +70°C

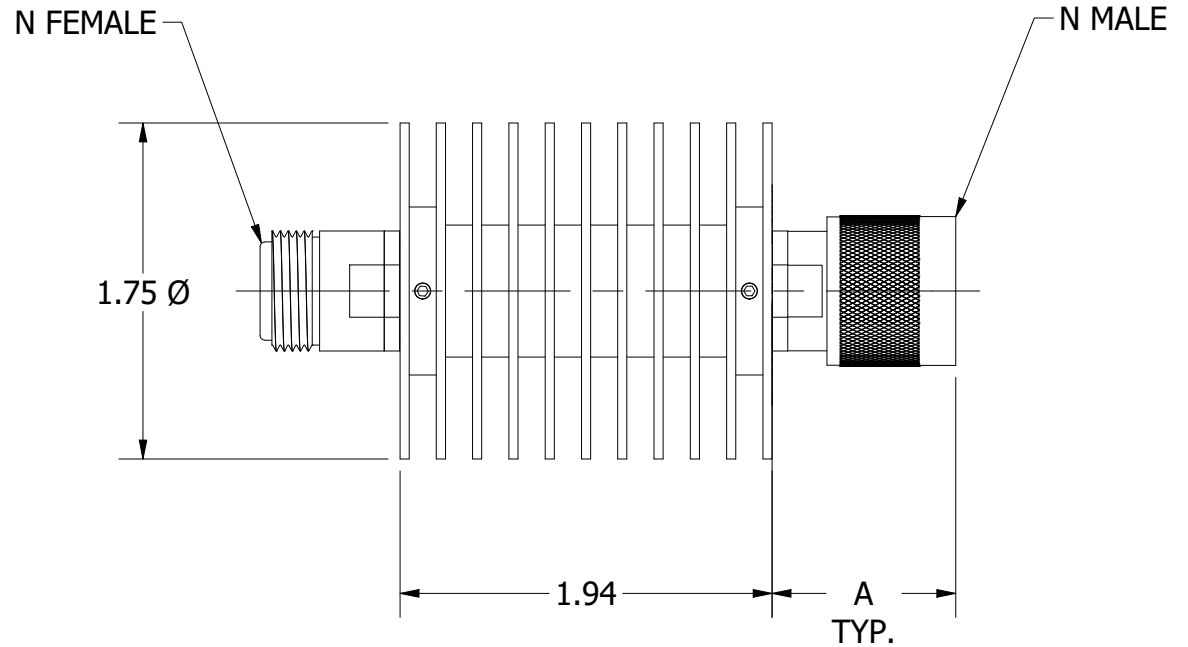
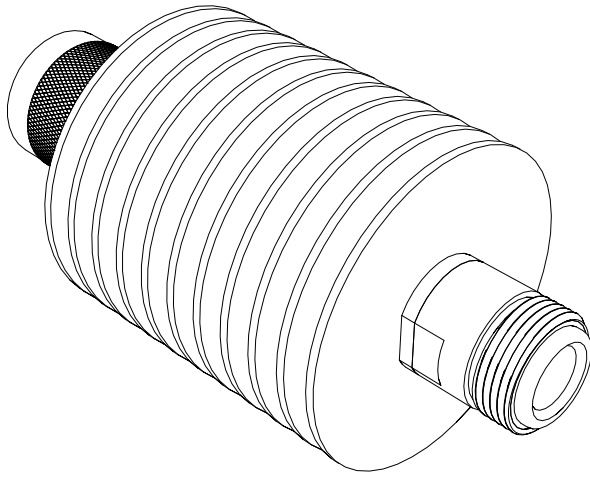
Peak Power 1000 Watts

RF Connector BNC, N, SMA, RPT, TNC, 4.1-9.5,
4.3-10.0 or 7/16
(RPT = reverse polarity TNC)

Operating Temperature Range -55°C to +100°C

Physical Size See outline drawing 092-2759 (TABLE)
092-2759-01 (TNC)

ECR/ECN #	DATE	REV	APPR / DATE	ECR/ECN #	DATE	REV	APPR / DATE
19128	09/16/2010	H	CLK 09/16/2010	26024	12/14/2015	K	TRS 12/14/2015
24660	10/29/2014	I	CLK 10/29/2014	27539	02/02/2017	L	CLK 02/02/2017
26007	12/14/2015	J	CLK 12/14/2015	30655	09/18/2020	M	JZ 09/18/2020



CONNECTOR	DIM. A ±.03
SMA MALE	.56
SMA FEMALE	.52
BNC MALE	.80
BNC FEMALE	.60
TNC MALE	.80
TNC FEMALE	.60
N MALE	.96
N FEMALE	.73
7/16 MALE	1.31
7/16 FEMALE	1.22
4.1/9.5 MALE	.96
4.1/9.5 FEMALE	.96
4.3/10 MALE	1.06
4.3/10 FEMALE	1.02

REV	ECN	DATE	BY	APPR
-	ISSUED	3-16-98	---	---
A	6050	7-1-99	PT	TEZ
B	6964	12-27-01	MAH	TEZ
C	7477	4-23-03	CJW	TEZ
D	7738	2-11-04	TEZ	TEZ
E	7900	6-23-04	RLT	TEZ
F	12396	2-3-06	BZ	TEZ
G	21671	6-21-12	BZ	TEZ
H	26009	12-14-15	JZ	TEZ
J	24444	9-10-19	GM	JZ



JFW INDUSTRIES, INC.

www.jfwindustries.com

PH: 317-887-1340

MATERIAL	ALUMINUM ALLOY	PROPRIETARY INFORMATION
FINISH	BLACK ANODIZE	ALL SURFACES ARE TO BE FREE OF BURRS, PITS & SCRATCHES
MODEL		TOLERANCES .XX±.010 .XXX±.005 XX°±.5°
DESCRIPTION	20 WATT FIXED ATTENUATOR	DWG # 092-2759
		SCALE FULL