

SPECIFICATION SHEET
JFW MODEL 50FHC-XXX-25
FIXED ATTENUATOR

JFW Industries, Inc.
 Phone: 317-887-1340
 sales@jfwindustries.com
 www.jfwindustries.com

Frequency Range DC-4000 MHz (1-40 dB)
 DC-3000 MHz (41-60 dB)

Impedance 50 Ohms nominal

Attenuation Values 1-60 dB in any 1 dB increment
 (XXX) insert value

VSWR (1-40 dB) 1.15:1 maximum DC-1000 MHz
 1.35:1 maximum 1000-4000 MHz
 (41-60 dB) 1.15:1 maximum DC-1000 MHz
 1.35:1 maximum 1000-3000 MHz

Attenuation Accuracy (1-20 dB)
 ± 0.25 dB DC-1000 MHz
 ± 0.50 dB 1000-4000 MHz
 (21-30 dB)
 ± 0.50 dB DC-1000 MHz
 ± 0.75 dB 1000-4000 MHz
 (31-40 dB)
 ± 2% DC-2000 MHz
 ± 3% 2000-4000 MHz
 (41-60 dB)
 ± 2% DC-2000 MHz
 ± 3% 2000-3000 MHz

RF Input Power 25 Watts average
 Derate to 12.5 Watts @ +70°C

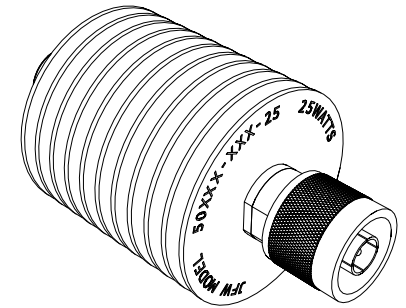
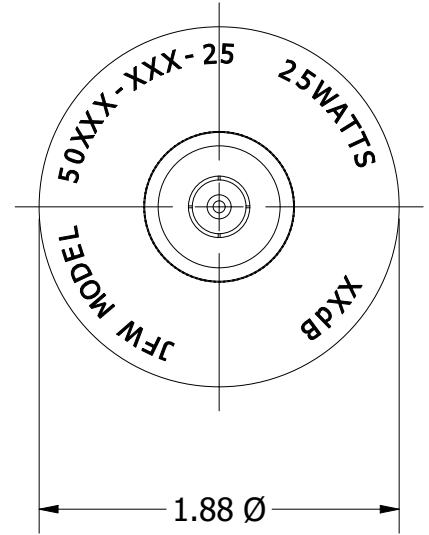
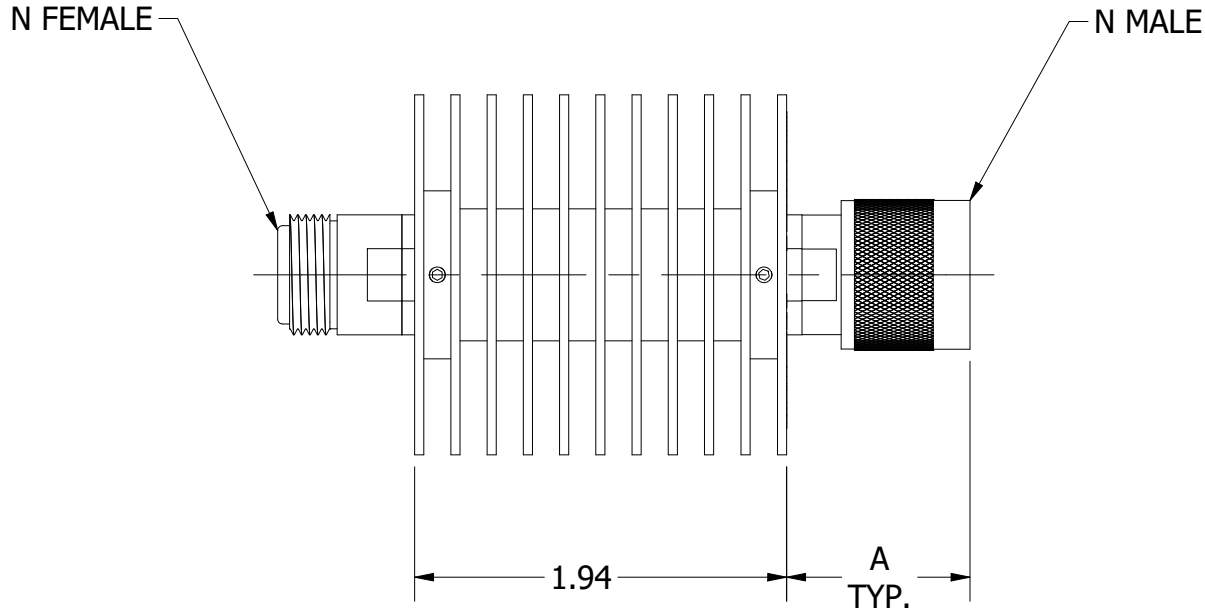
Peak Power 1000 Watts

RF Connector BNC, N, SMA, RPT, TNC, 4.1-9.5,
 4.3-10.0 or 7/16
 (RPT = reverse polarity TNC)

Operating Temperature Range -55°C to +100°C

Physical Size See outline drawing 092-3736

ECR/ECN #	DATE	REV	APPR / DATE	ECR/ECN #	DATE	REV	APPR / DATE
4668	08/26/2004	E	CLV 08/26/2004	26007	12/14/2015	G	CLK 12/14/2015
9999	04/23/2003	B	SL 04/23/2003	26024	12/14/2015	H	TRS 12/14/2015
24660	10/29/2014	F	CLK 10/29/2014	27539	02/02/2017	I	CLK 02/02/2017



CONNECTOR	DIM. A \pm .03
SMA MALE	.56
SMA FEMALE	.52
BNC MALE	.80
BNC FEMALE	.60
TNC MALE	.80
TNC FEMALE	.60
N MALE	.96
N FEMALE	.73
7/16 MALE	1.31
7/16 FEMALE	1.22
4.1/9.5 MALE	.96
4.1/9.5 FEMALE	.96
4.3/10 MALE	1.06
4.3/10 FEMALE	1.02

* INSERT NOMINAL dB VALUE i.e. 030 =30dB

REV	ECN	DATE	BY	APPR
-	ISSUED	8-2-01	BZ	TEZ
A	7175	7-10-02	BZ	TEZ
B	7472	4-18-03	TEZ	TEZ
C	7900	6-23-04	RLT	TEZ
D	16122	7-21-18	BZ	TEZ
E	21671	6-21-12	BZ	TEZ
F	26009	12-14-15	JZ	TEZ
G	24444	9-11-19	GM	TEZ



JFW INDUSTRIES, INC.

www.jfwindustries.com

PH: 317-887-1340

MATERIAL	HEATSINK: ALUM ALLOY / CONN: BRASS	PROPRIETARY INFORMATION
FINISH	HEATSINK: BLACK ANODIZE / CONN: NICKEL	ALL SURFACES ARE TO BE FREE OF BURRS, PITS & SCRATCHES
MODEL	50XXX-XXX-25	TOLERANCES .XX \pm .010 .XXX \pm .005 XX \circ \pm .5 \circ
DESCRIPTION	25 WATT FIXED ATTENUATOR	DWG # 092-3736
SCALE	FULL	