

SPECIFICATION SHEET

JFW MODEL 50FHDQ-XXX-500-3

UNI-DIRECTIONAL FIXED ATTENUATOR

JFW Industries, Inc.
Phone: 317-887-1340
sales@jfwindustries.com
www.jfwindustries.com

Frequency Range DC-3000 MHz

Impedance 50 Ohms nominal

Attenuation Values 6, 10, 20, 25, 30, 40 and 45 dB

VSWR 1.20:1 maximum DC-1000 MHz
1.25:1 maximum 1000-1500 MHz
1.35:1 maximum 1500-3000 MHz

Attenuation Accuracy 6 dB ± 0.6 dB
10 dB ± 0.5 dB
20 dB ± 0.6 dB
25 dB ± 0.7 dB
30 dB ± 0.8 dB
40 dB ± 0.8 dB
45 dB ± 1.0 dB

RF Input Power (uni-directional) 500 Watts average @ +25°C
Derated linearly to 50 Watts @ +100°C

Reverse Power 125 Watts average @ +25°C

Peak Power 2500 Watts (1 microsecond pulse)

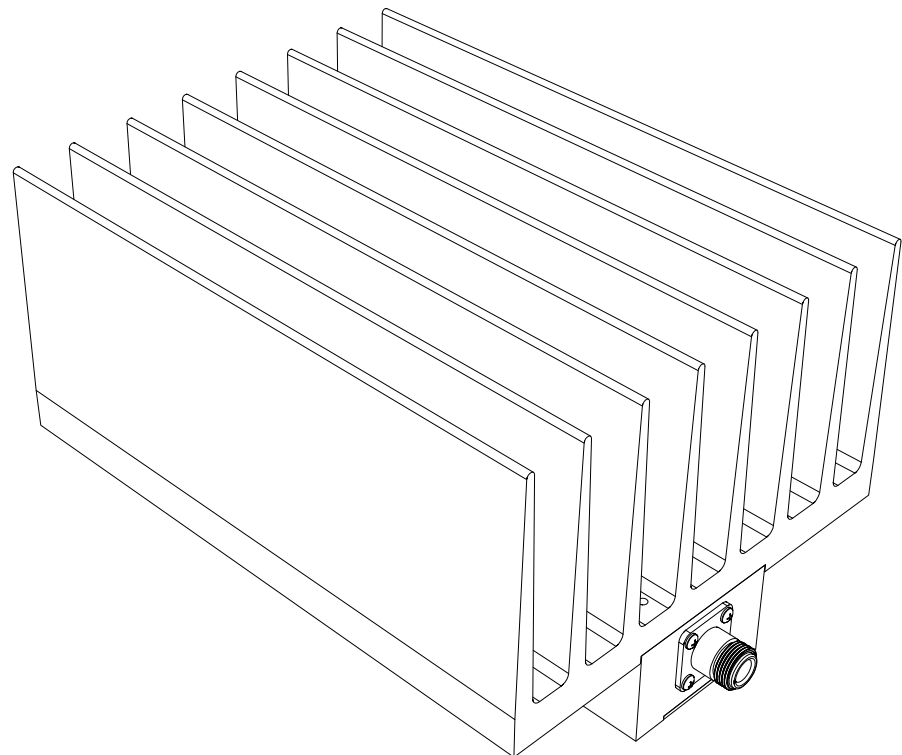
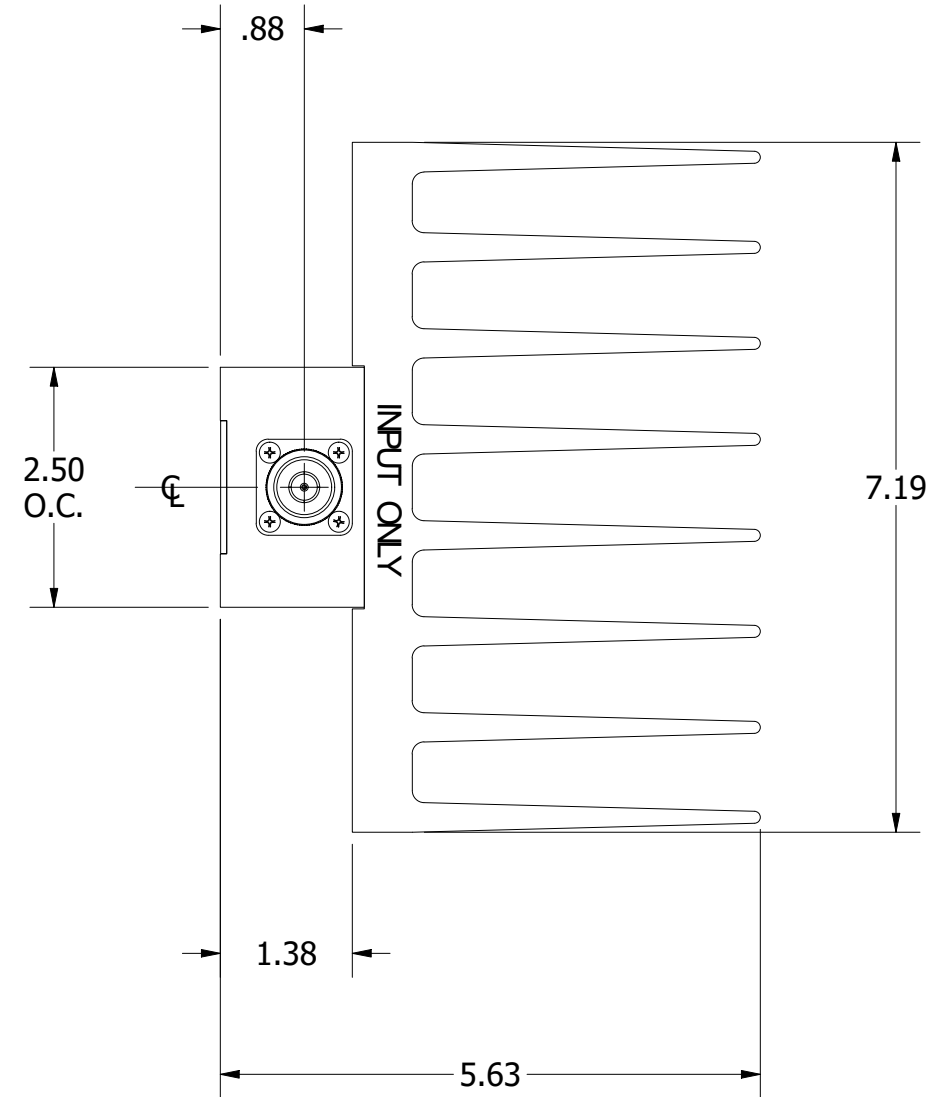
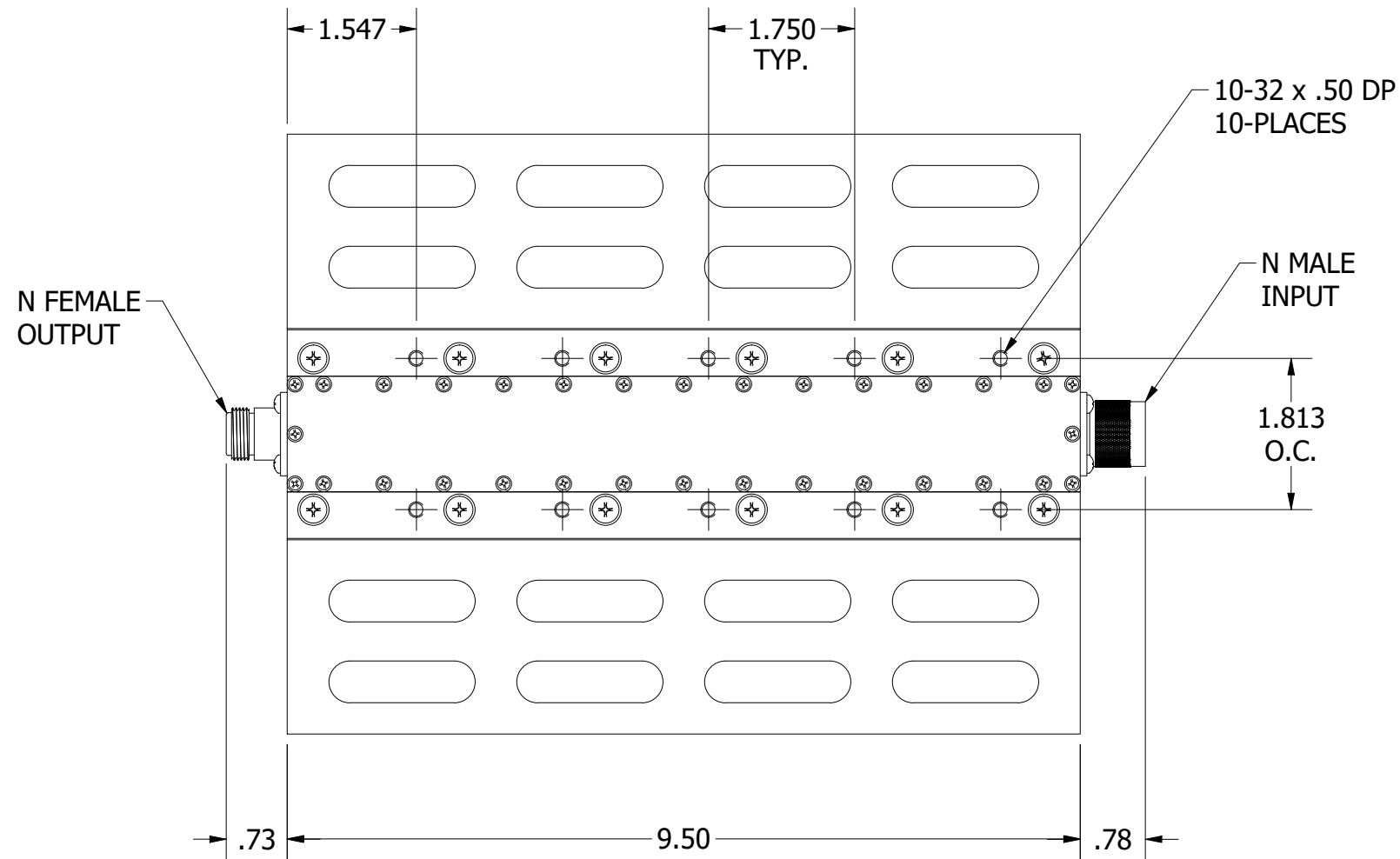
Operating Temperature Range -55°C to +100°C

RF Connector N and TNC

Operating Position Any position except mounting plate up

Physical Size (Outline Drawing Numbers) 092-4495 (N Male Input)
092-5998 (Reverse N - N Female Input)
092-9597 (N Male / Male)

ECR/ECN #	DATE	REV	APPR / DATE	ECR/ECN #	DATE	REV	APPR / DATE
15072	12/14/2007	D	SMR 12/14/2007	28961	08/20/2018	G	CLK 08/20/2018
16529	11/20/2008	E	SMR 11/20/2008	29766	08/26/2019	H	CLK 08/26/2019
17577	08/19/2009	F	SMR 08/19/2009	30586	08/12/2020	I	CLK 08/12/2020



* INSERT NOMINAL dB VALUE I.E. 030 = 30dB

REV	ECN	DATE	BY	APPR
-	ISSUED	---	---	---
A	7950	8-4-02	RLT	TEZ
B	10056	10-20-04	LT	TEZ
C	10387	1-4-05	LT	TEZ
D	10622	2-10-05	LT	TEZ
E	12635	4-21-06	ETW	TEZ
F	14205	5-23-07	BZ	TEZ
G	14318	6-26-07	TEZ	TEZ
H	24444	9-12-19	GM	JZ



JFW INDUSTRIES, INC.

www.jfwindustries.com

PH: 317-887-1340

MATERIAL	ALUMINUM ALLOY	PROPRIETARY INFORMATION
FINISH	CHEMFILM TCP / HEATSINK: BLACK ANODIZE	ALL SURFACES ARE TO BE FREE OF BURRS, PITS & SCRATCHES
MODEL	50FHXX-XXX-500	TOLERANCES .XX±.010 .XXX±.005 XX*±.5°
SCALE	1/2	DWG #
DESCRIPTION	500 WATT FIXED ATTENUATOR	092-4495