

SPECIFICATION SHEET

JFW MODEL 50FHIE-XXX-1000

UNI-DIRECTIONAL FIXED ATTENUATOR

JFW Industries, Inc.
Phone: 317-887-1340
sales@jfwindustries.com
www.jfwindustries.com

Frequency Range DC-3000 MHz

Impedance 50 Ohms nominal

Attenuation Values 20, 30, 33, 35 & 40dB

VSWR 1.40:1 maximum

Attenuation Accuracy ± 1.5 dB maximum

RF Input Power (uni-directional) 1000 Watts average @ +25°C
Derated linearly to 100 Watts @ +100°C

Reverse Power 125 Watts average @ +25°C

Peak Power 4000 Watts (1 microsecond pulse)

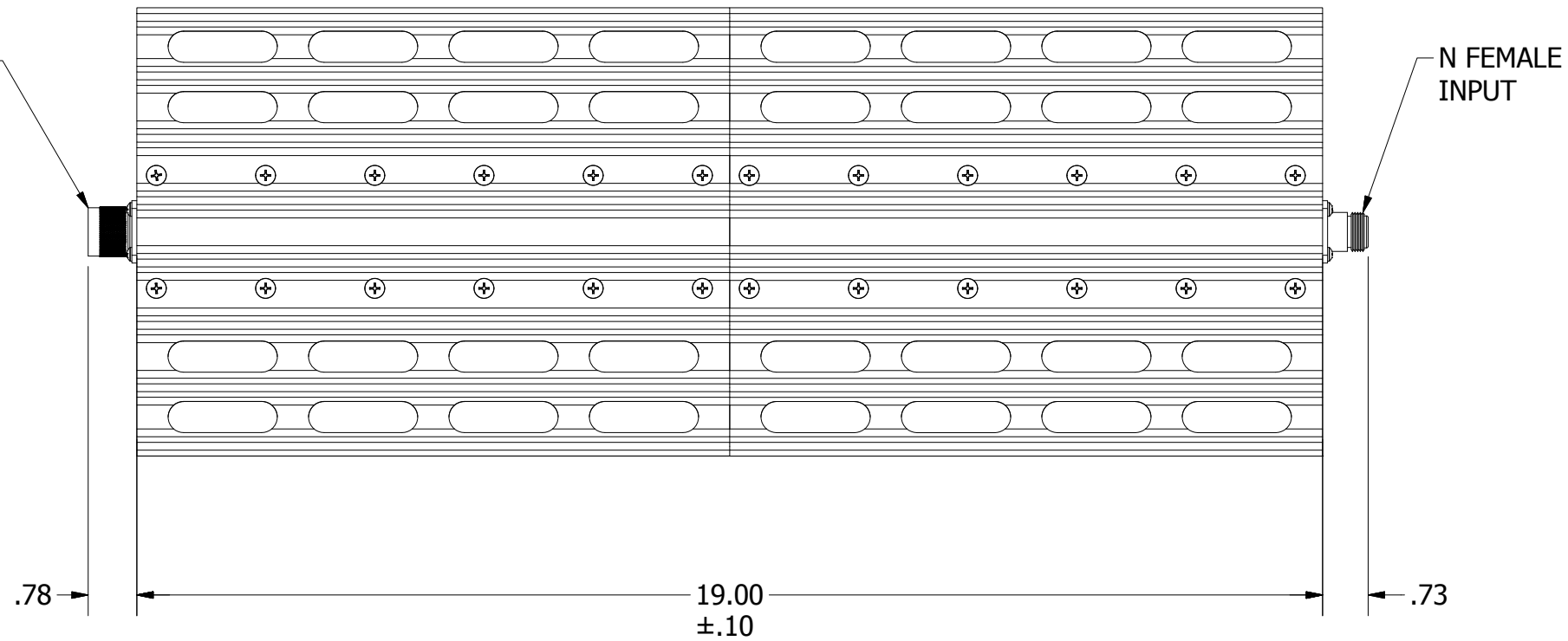
Operating Temperature Range -55°C to +100°C

RF Connector N, NF/F, N-RC (male input, female output) & 7/16

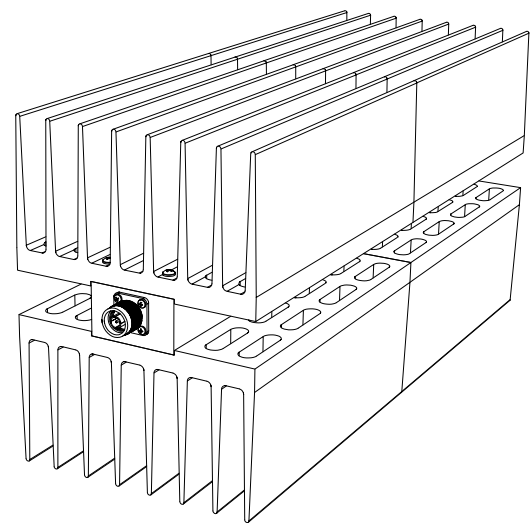
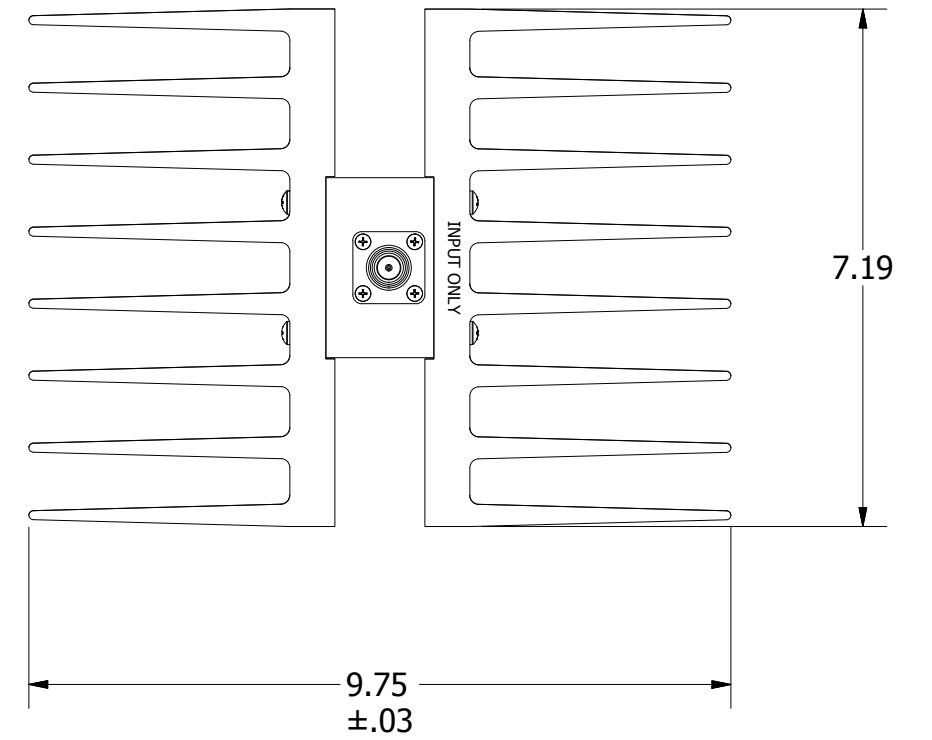
Physical Size See outline drawing:
092-6086 (N)
092-6196 (NF/F)
092-6257 (N-RC)
092-6253 (7/16)
092-9802 (7/16 F/F)

ECR/ECN #	DATE	REV	APPR / DATE	ECR/ECN #	DATE	REV	APPR / DATE
17262	05/29/2009	C	SMR 05/29/2009	17611	08/27/2009	F	SMR 08/27/2009
17520	08/07/2009	D	SMR 08/07/2009	27157	10/14/2016	G	CLK 10/14/2016
17531	08/07/2009	E	SMR 08/07/2009	31400	10/22/2021	H	CLK 10/22/2021


N MALE
OUTPUT



N FEMALE
INPUT



REV	ECN	DATE	BY	APPR
-	ISSUED	2-10-09	BZ	TEZ
A	27873	6-13-17	CDC	TEZ



JFW INDUSTRIES, INC.

www.jfwindustries.com PH: 317-887-1340

MATERIAL	ALUMINUM ALLOY	PROPRIETARY INFORMATION
FINISH	CHEMFILM TCP / HEATSINK: BLACK ANODIZE	ALL SURFACES ARE TO BE FREE OF BURRS, PITS & SCRATCHES
MODEL	50FHXX-XXX-1000	TOLERANCES .XX±.010 .XXX±.005 XX°±.5°
DESCRIPTION	1000 WATT FIXED ATTENUATOR	DWG # 092-6086