

SPECIFICATION SHEET
JFW MODEL 50FHXC-XXX-40
FIXED ATTENUATOR

JFW Industries, Inc.
 Phone: 317-887-1340
 sales@jfwindustries.com
 www.jfwindustries.com

Frequency Range DC-4000 MHz (1-40 dB)
 DC-3000 MHz (41-60 dB)

Impedance 50 Ohms nominal

Attenuation Values 1-60 dB in any 1 dB increment
 (XXX) insert value

VSWR (1-40 dB) 1.15:1 maximum DC-1000 MHz
 1.35:1 maximum 1000-4000 MHz
 (41-60 dB) 1.15:1 maximum DC-1000 MHz
 1.35:1 maximum 1000-3000 MHz

Attenuation Accuracy (1-20 dB)
 ± 0.25 dB DC-1000 MHz
 ± 0.50 dB 1000-4000 MHz
 (21-30 dB)
 ± 0.50 dB DC-1000 MHz
 ± 0.75 dB 1000-4000 MHz
 (31-40 dB)
 ± 2% DC-2000 MHz
 ± 3% 2000-4000 MHz
 (41-60 dB)
 ± 2% DC-2000 MHz
 ± 3% 2000-3000 MHz

RF Input Power 40 Watts average
 Derate to 20 Watts @ +70°C

Peak Power 1000 Watts

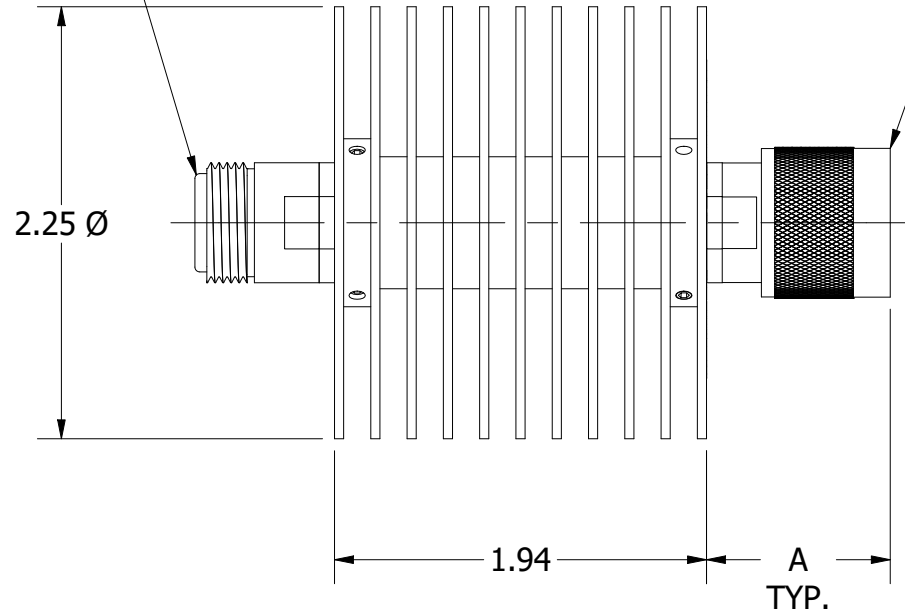
RF Connector BNC, N, SMA, RPT, TNC, 4.1-9.5,
 4.3-10.0 or 7/16
 (RPT = reverse polarity TNC)

Operating Temperature Range -55°C to +100°C

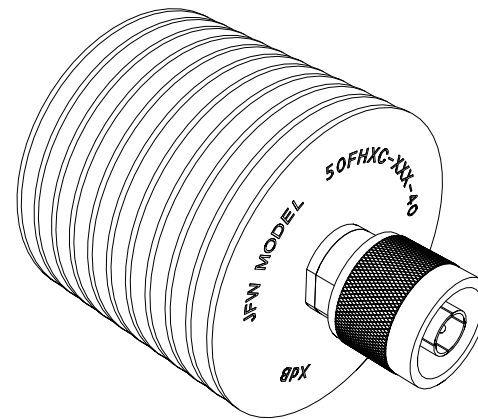
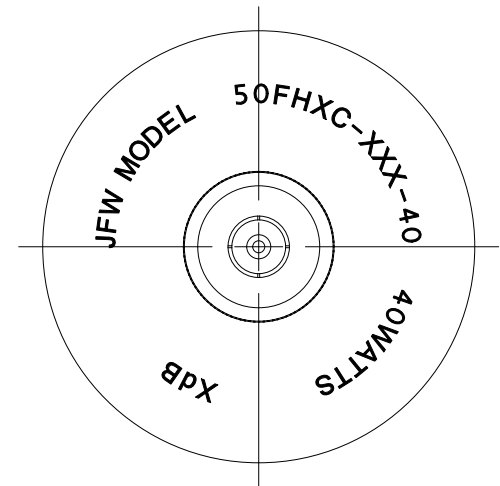
Physical Size See outline drawing 092-6093

ECR/ECN #	DATE	REV	APPR / DATE	ECR/ECN #	DATE	REV	APPR / DATE
	02/23/2009	O	SMR 02/23/2009	26024	12/14/2015	C	TRS 12/14/2015
23610	01/02/2014	A	BAC 01/02/2014	27539	02/02/2017	D	CLK 02/02/2017
26007	12/14/2015	B	CLK 12/14/2015				

N FEMALE



N MALE



CONNECTOR	DIM. ±.03
SMA MALE	.56
SMA FEMALE	.52
BNC MALE	.80
BNC FEMALE	.60
TNC MALE	.80
TNC FEMALE	.60
N MALE	.96
N FEMALE	.73
7/16 MALE	1.31
7/16 FEMALE	1.22
4.1/9.5 MALE	.96
4.1/9.5 FEMALE	.96
4.3/10 MALE	1.06
4.3/10 FEMALE	1.02

REV	ECN	DATE	BY	APPR
-	ISSUED	2-23-09	BZ	TEZ
A	21671	6-21-12	BZ	TEZ
B	24903	1-30-15	JZ	BAC
C	26009	12-15-15	JZ	TEZ
D	24444	9-17-19	GM	TEZ



JFW INDUSTRIES, INC.

www.jfwindustries.com

PH: 317-887-1340

MATERIAL	PROPRIETARY INFORMATION	
FINISH	ALL SURFACES ARE TO BE FREE OF BURRS, PITS & SCRATCHES	
MODEL	50FHXC-XXX-40	SCALE FULL
DESCRIPTION	40 WATT FIXED ATTENUATOR	TOLERANCES .XX±.010 .XXX±.005 XX°±.5° DWG # 092-6093