

SPECIFICATION SHEET

JFW MODEL 50FHXC-XXX-50

FIXED ATTENUATOR

JFW Industries, Inc.
Phone: 317-887-1340
sales@jfwindustries.com
www.jfwindustries.com

Frequency Range DC-4000 MHz (1-40 dB)
DC-3000 MHz (41-60 dB)

Impedance 50 Ohms nominal

Attenuation Values 1-60 dB in any 1 dB increment
(XXX) insert value

VSWR (1-40 dB) 1.15:1 maximum DC-1000 MHz
1.35:1 maximum 1000-4000 MHz
(41-60 dB) 1.15:1 maximum DC-1000 MHz
1.35:1 maximum 1000-3000 MHz

Attenuation Accuracy (1-20 dB)
± 0.25 dB DC-1000 MHz
± 0.50 dB 1000-4000 MHz
(21-30 dB)
± 0.50 dB DC-1000 MHz
± 0.75 dB 1000-4000 MHz
(31-40 dB)
± 2% DC-2000 MHz
± 3% 2000-4000 MHz
(41-60 dB)
± 2% DC-2000 MHz
± 3% 2000-3000 MHz

RF Input Power 50 Watts average
Derate to 25 Watts @ +70° C

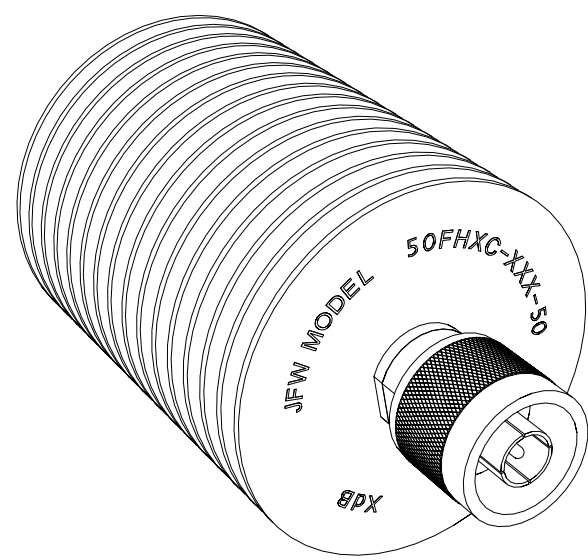
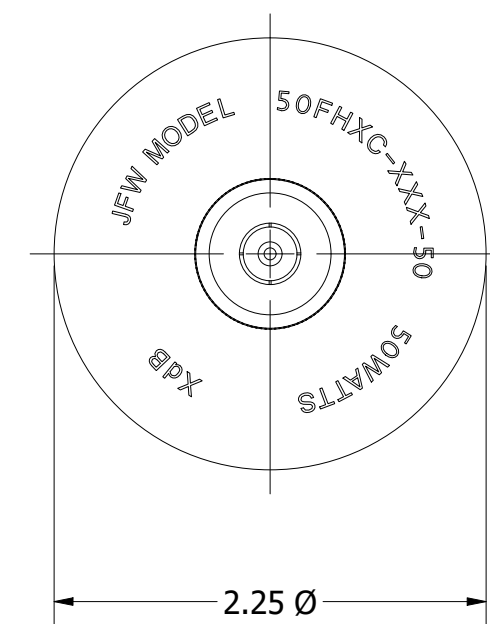
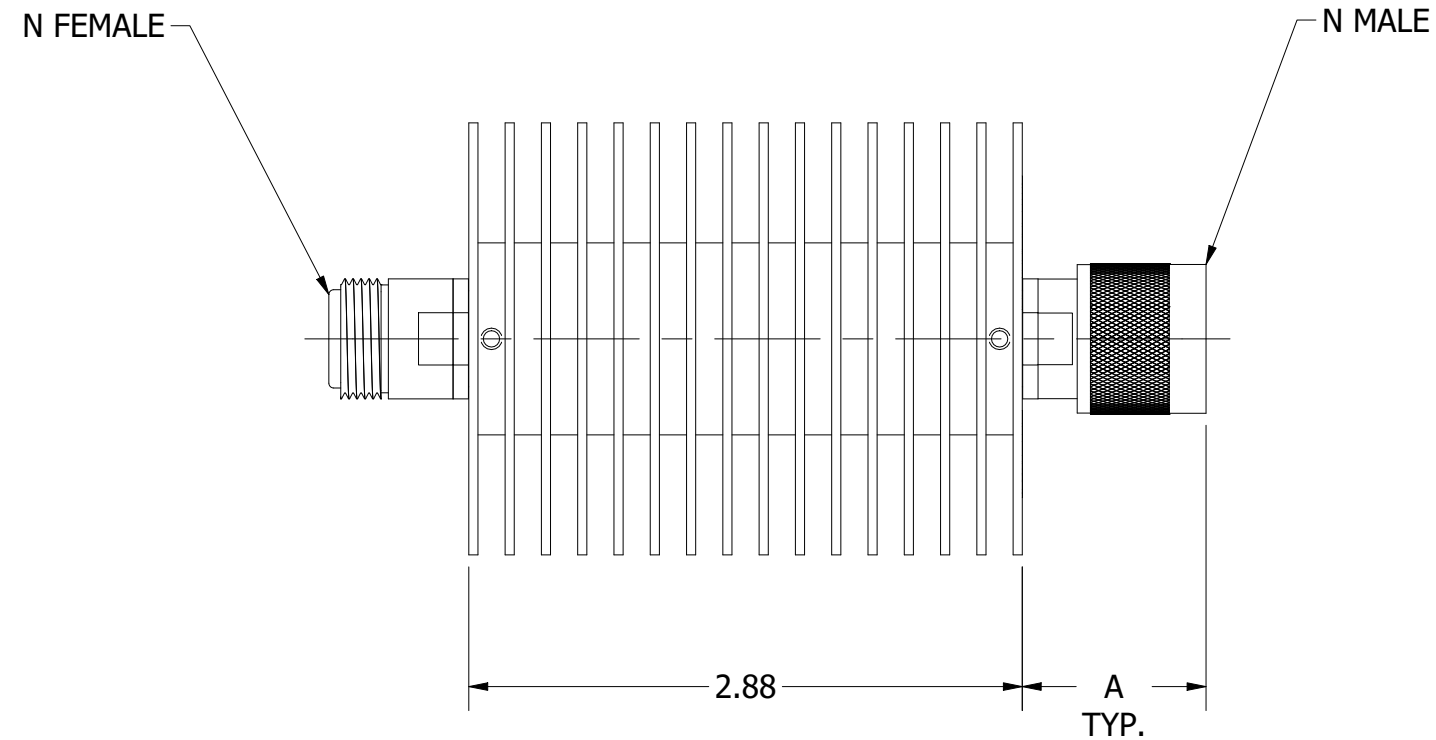
Peak Power 1000 Watts

RF Connector BNC, N, SMA, RPT, TNC, 4.1-9.5,
4.3-10.0 or 7/16
(RPT = reverse polarity TNC)

Operating Temperature Range -55° C to +100° C


Physical Size See outline drawing 092-6094

ECR/ECN #	DATE	REV	APPR / DATE	ECR/ECN #	DATE	REV	APPR / DATE
	02/23/2009	O	SMR 02/23/2009	26024	12/14/2015	C	TRS 12/14/2015
25814	10/19/2015	A	TRS 10/19/2015	27539	02/02/2017	D	CLK 02/02/2017
26007	12/14/2015	B	CLK 12/14/2015				



CONNECTOR	DIM. A
SMA MALE	.56
SMA FEMALE	.52
BNC MALE	.80
BNC FEMALE	.60
TNC MALE	.80
TNC FEMALE	.60
N MALE	.96
N FEMALE	.73
7/16 MALE	1.31
7/16 FEMALE	1.22
4.1/9.5 MALE	.96
4.1/9.5 FEMALE	.96
4.3/10 MALE	1.06
4.3/10 FEMALE	1.02

* INSERT NOMINAL dB VALUE i.e. 030 = 30dB

REV	ECN	DATE	BY	APPR	 JFW INDUSTRIES, INC. www.jfwindustries.com PH: 317-887-1340	
-	ISSUED	2-23-09	BZ	TEZ	MATERIAL FINISH MODEL 50FHXC-XXX-50 SCALE FULL DESCRIPTION 50 WATT FIXED ATTENUATOR PROPRIETARY INFORMATION ALL SURFACES ARE TO BE FREE OF BURRS, PITS & SCRATCHES TOLERANCES .XX±.010 .XXX±.005 XX*±.5° DWG # 092-6094	
A	21671	6-21-12	BZ	TEZ		
B	26009	12-10-15	TEZ	TEZ		
C	24444	10-21-19	GM	TEZ		