

**SPECIFICATION SHEET**  
**JFW MODEL 50P-1224**  
**RELAY PROGRAMMABLE ATTENUATOR**

JFW Industries, Inc.  
 Phone: 317-887-1340  
 sales@jfwindustries.com  
 www.jfwindustries.com

Frequency Range	DC-3000 MHz
Impedance	50 Ohms nominal
Attenuation Range	0-63.5 dB in 0.5 dB steps
Attenuation Steps	0.5, 1, 2, 4, 8, 16, and 32 dB
VSWR	1.35:1 maximum DC-1500 MHz 1.5:1 maximum 1500-3000 MHz
Attenuation Accuracy (guaranteed monotonic)	± 0.2 dB or 0.5% DC-500 MHz ± 0.3 dB or 1.0% 500-1000 MHz ± 0.4 dB or 1.0% 1000-2000 MHz ± 0.4 dB or 1.5% 2000-3000 MHz
Insertion Loss	4.5 dB maximum
RF Input Power	1 Watt average
Switching Speed	6 milliseconds
Control	+12 Vdc @ 30 mA per relay (8 relays total)
DC Connector	Solder terminals
RF Connector	SMA female
Operating Temperature Range	-20°C to +85°C
Physical Size	See outline drawing 092-1285

ECR/ECN #	DATE	REV	APPR / DATE	ECR/ECN #	DATE	REV	APPR / DATE
	07/23/1997			12932	06/15/2006	C	TRS 06/15/2006
2786	10/10/2001	A					
9999	09/26/2002	B	TRS 10/01/2002				

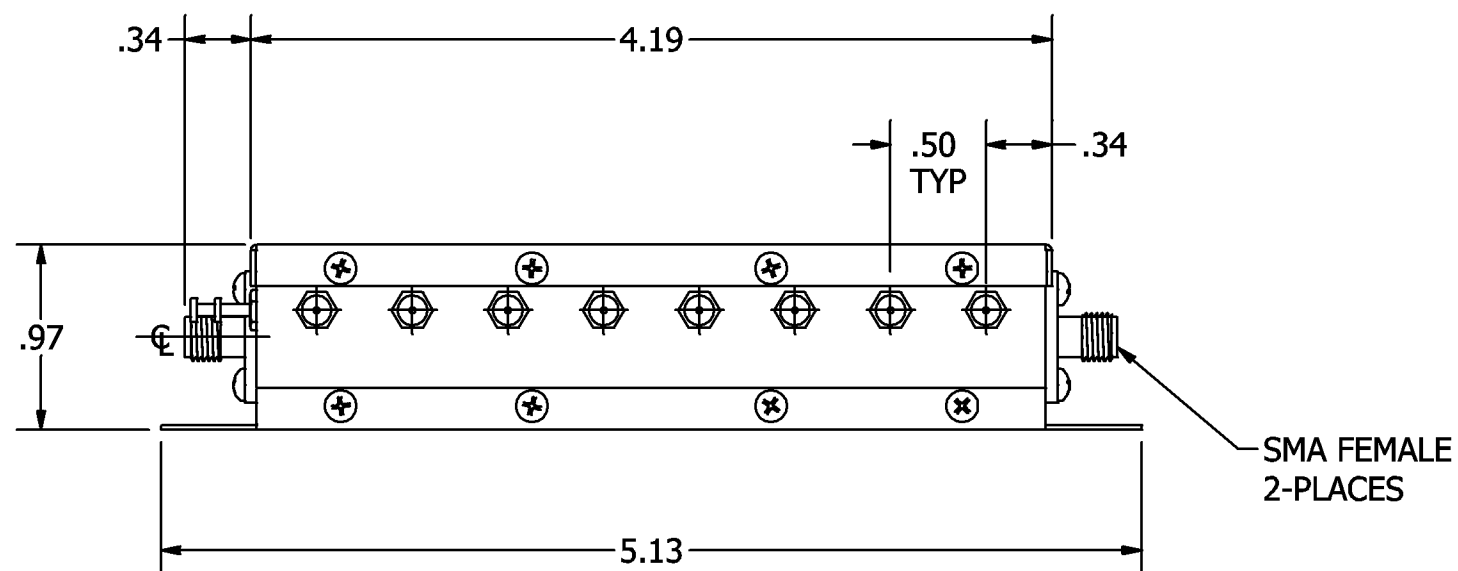
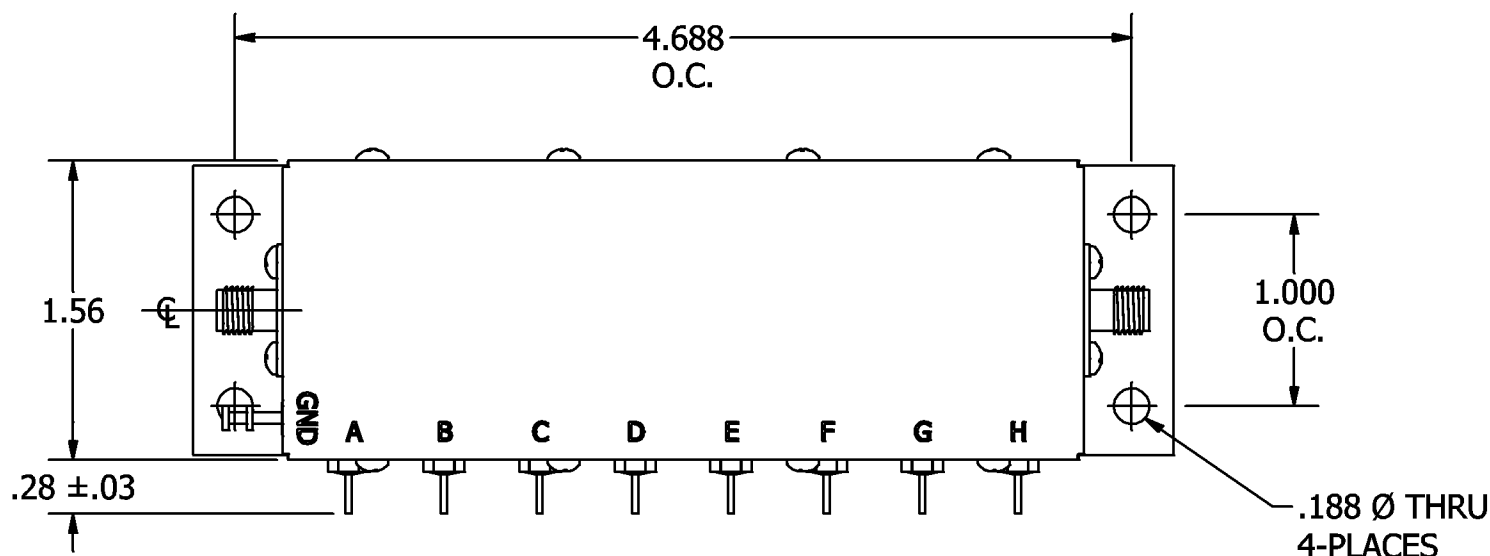
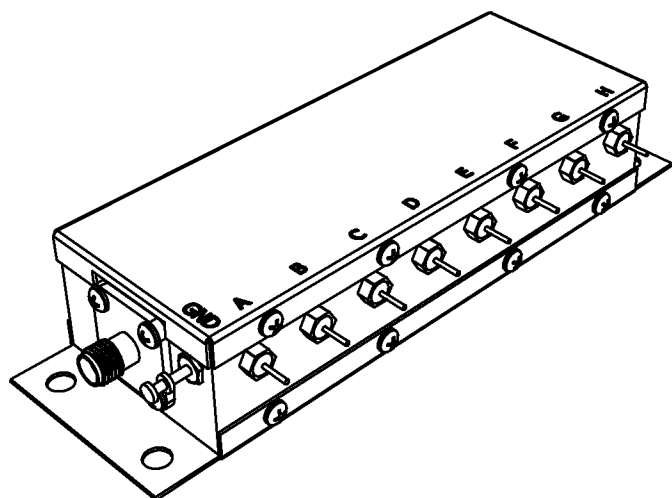
PIN	50P-1455/1654
A	.2dB
B	.4dB
C	.8dB
D	1dB
E	2dB
F	4dB
G	8dB
H	16dB

PIN	50P-1224
A	.5dB
B	1dB
C	2dB
D	4dB
E	8dB
F	16dB
G/H	32dB

PIN	50P-058/591/1245
A	1dB
B	2dB
C	4dB
D	8dB
E	10dB
F	20dB
G/H	40dB

PIN	50P-792/905
A	.1dB
B	.2dB
C	.4dB
D	.8dB
E	1.6dB
F	3.2dB
G	6.4dB
H	12.8dB

PIN	50P-1799
A	5dB
B	10dB
C	10dB
D	20dB
E/F	40dB
G/H	40dB



REV	ECN	DATE	BY	APPR	REV	ECN	DATE	BY	APPR
-	ISSUED	2-20-89	PT	FDW	P	24444	10-13-15	JZ	TEZ
A	3199	3-4-91	PT	FDW	Q	27900	05-31-17	CDC	TEZ
B	3671	6-29-92	TEZ	FDW					
C	4606	3-17-95	TEZ	FDW					
D	4826	11-22-95	CDJ	FDW					
E	4828	11-28-95	CDJ	FDW					
F	5326	7-18-97	PT	FDW					
G	5520	12-23-97	TEZ	FDW					
H	5964	3-18-99	PT	FDW					
J	6024	5-27-99	PT	FDW					
K	6083	8-9-99	TEZ	FDW					
L	6405	9-11-00	CMB	PT					
M	10103	11-1-04	DTS	TRS					
N	14917	10-31-07	BZ	TEZ					

## JFW INDUSTRIES, INC.

www.jfwindustries.com      PH: 317-887-1340

MATERIAL	BRASS	PROPRIETARY INFORMATION
FINISH	NICKEL	ALL SURFACES ARE TO BE FREE OF BURRS, PITS & SCRATCHES
MODEL	50P-XXXX	TOLERANCES .XX±.010 .XXX±.005 XX°±.5°
DESCRIPTION	PROGRAMMABLE ATTENUATOR	DWG #
		092-1285