

**SPECIFICATION SHEET**

**JFW MODEL 50P-1501**

**SOLID STATE PROGRAMMABLE ATTENUATOR**

JFW Industries, Inc.  
Phone: 317-887-1340  
sales@jfwindustries.com  
www.jfwindustries.com

Frequency Range 200-3000 MHz

Impedance 50 Ohms nominal

Attenuation Range 0-127 dB in 1 dB steps

Attenuation Steps 1, 2, 4, 8, 16, 32 and 64 dB

VSWR 1.5:1 maximum

Attenuation Accuracy 1, 2, 4, 8 dB ± .25 dB to 2000 MHz  
1, 2, 4, 8 dB ± .4 dB to 3000 MHz  
16, 32, 64 dB ± .5 dB or 2%  
(whichever is greater)

Insertion Loss 6.0 dB maximum  
2.6 dB typical @ 200 MHz  
4.2 dB typical @ 2000 MHz  
5.7 dB typical @ 3000 MHz

RF Input Power +20 dBm operating  
+30 dBm (no damage)

Switching Speed 2 microseconds

DC Supply +5 Vdc @ 300 mA maximum  
(162 mA typical @ 0 dB setting)  
(90 mA typical @ 127 dB setting)

Control Logic (7 Lines) TTL Low for Thru Path  
TTL High for Attenuation

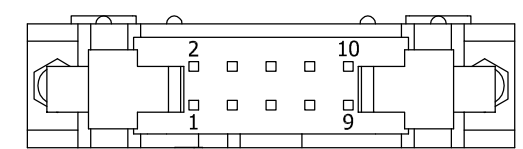
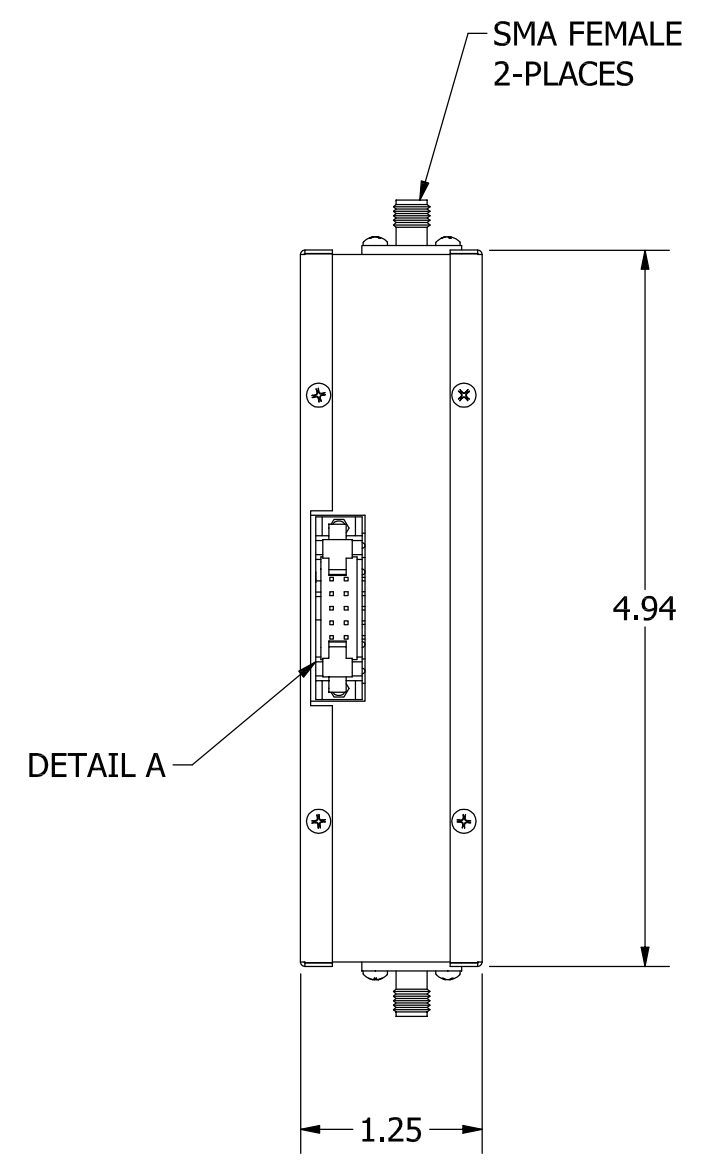
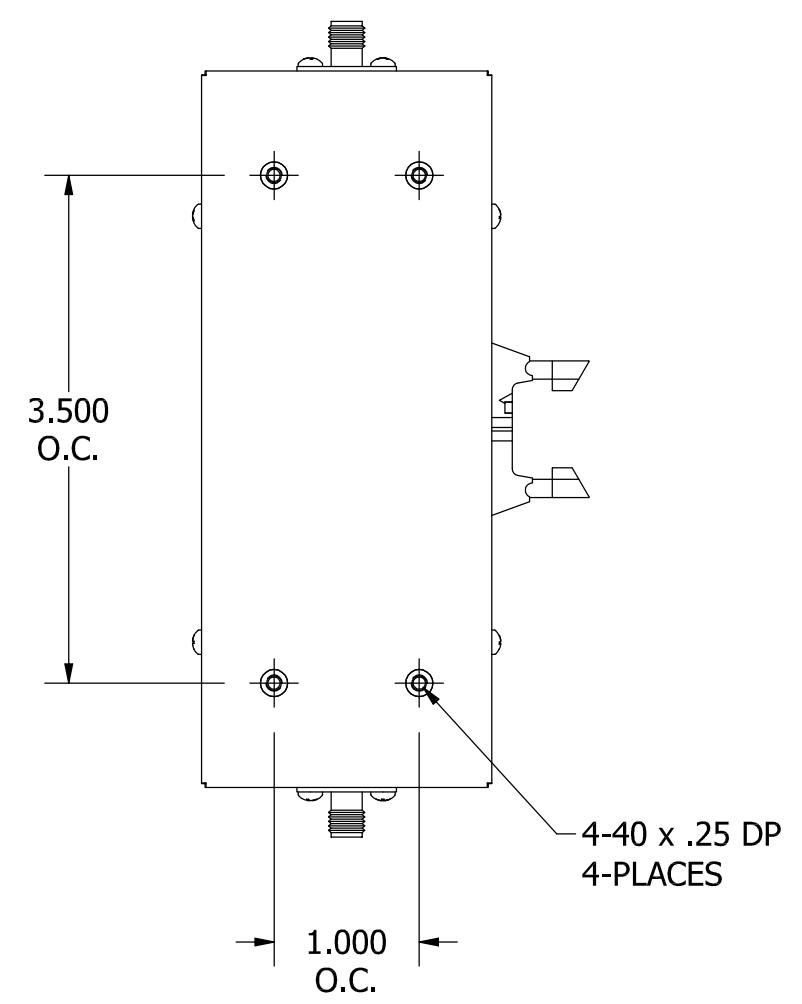
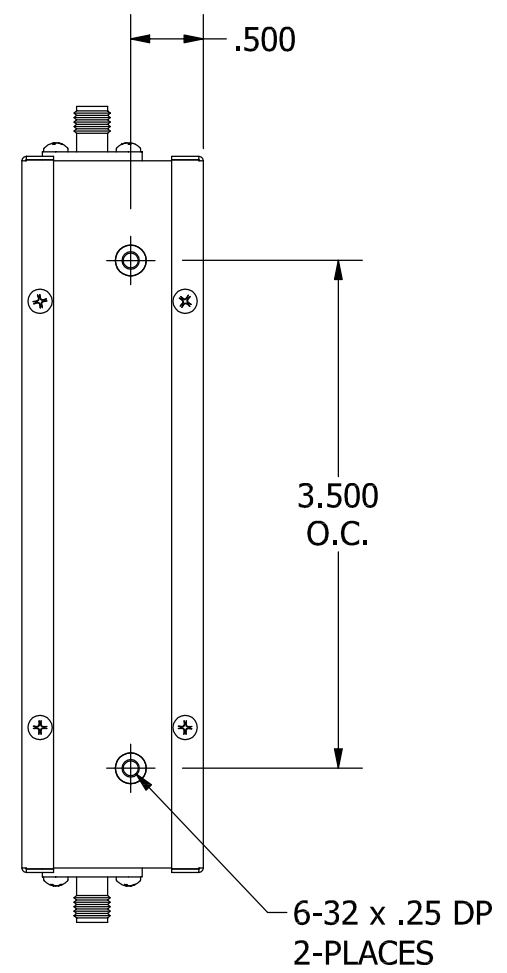
DC Connector 3M #3793-5303

RF Connector BNC, N or SMA female

Operating Temperature Range -40°C to +85°C

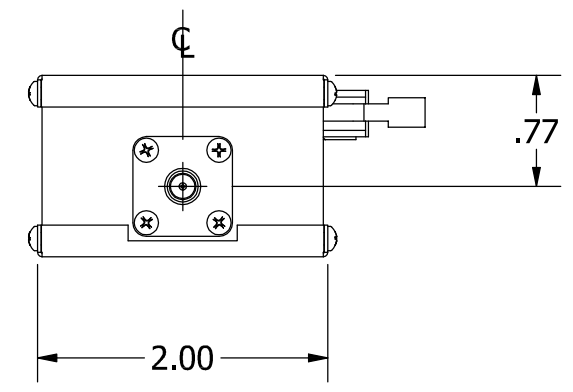
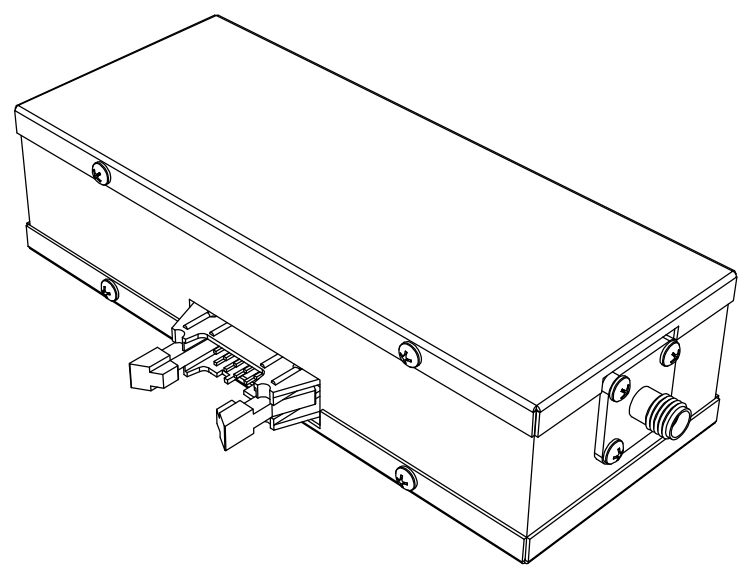
Outline Drawing Numbers 092-5702-01 (50P-1501 SMA)  
092-4302 (50P-1501 N)

ECR/ECN #	DATE	REV	APPR / DATE	ECR/ECN #	DATE	REV	APPR / DATE
3016	06/04/2002	B		15300	02/01/2008	E	CLK 02/01/2008
4350	09/22/2003	D	CLV 09/22/2003	21548	05/14/2012	F	CLK 05/14/2012
9999	10/11/2002	C	TRS 10/18/2002	25624	08/06/2015	G	TRS 08/06/2015



DETAIL A  
3M# 3793-5303

PIN	FUNCTION
1	1 dB TTL CONTROL
2	2 dB TTL CONTROL
3	4 dB TTL CONTROL
4	8 dB TTL CONTROL
5	16 dB TTL CONTROL
6	32 dB TTL CONTROL
7	64 dB TTL CONTROL
8	NO CONNECTION
9	+5 Vdc
10	GROUND



REV	ECN	DATE	BY	APPR
-	ISSUED	2-1-08	BZ	TEZ
A	24444	9-17-15	JZ	TEZ



**JFW INDUSTRIES, INC.**

www.jfwindustries.com PH: 317-887-1340

MATERIAL	BRASS	PROPRIETARY INFORMATION
FINISH	NICKEL	ALL SURFACES ARE TO BE FREE OF BURRS, PITS & SCRATCHES
MODEL	50P-XXXX	SCALE 3/4
DESCRIPTION	PROGRAMMABLE ATTENUATOR	TOLERANCES .XX±.010 .XXX±.005 XX°±.5°
		DWG# 092-5702-01