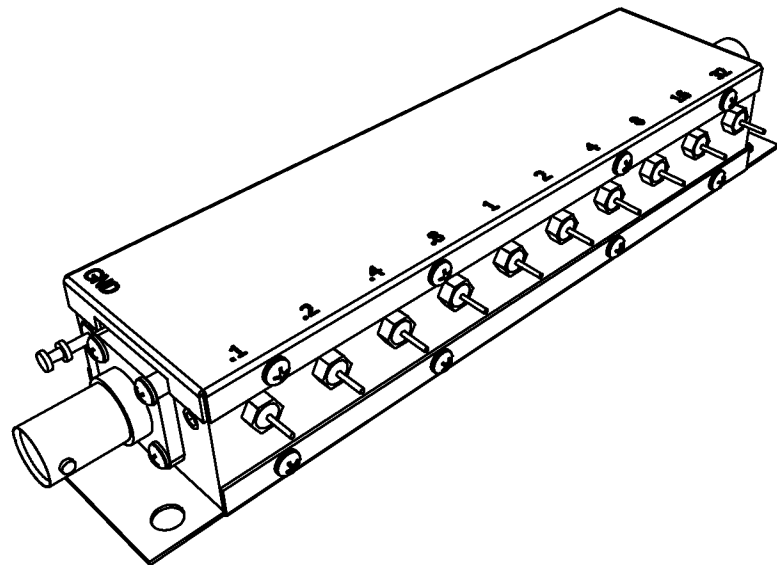
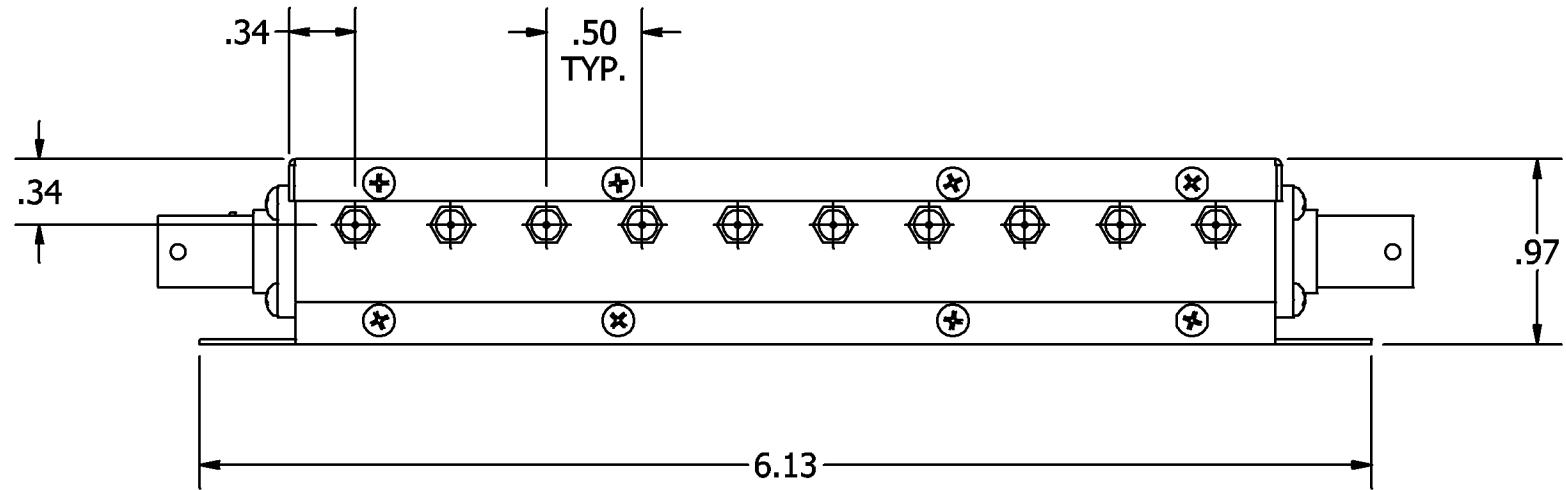
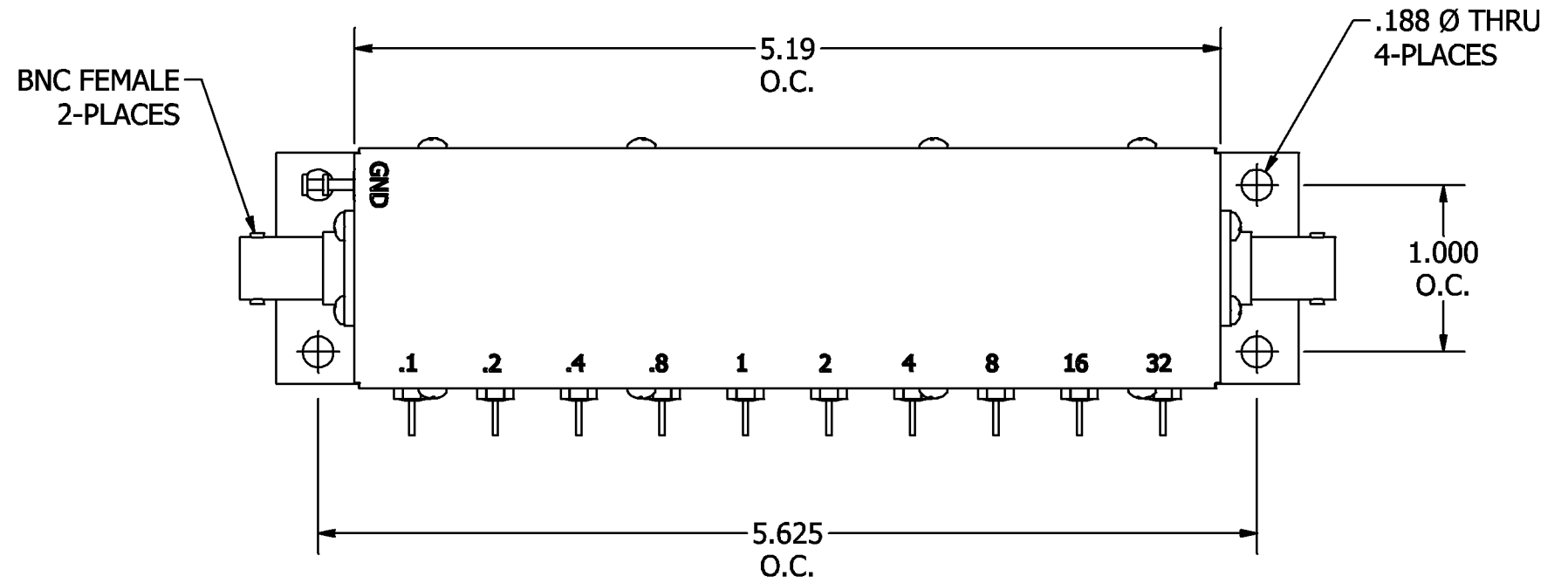
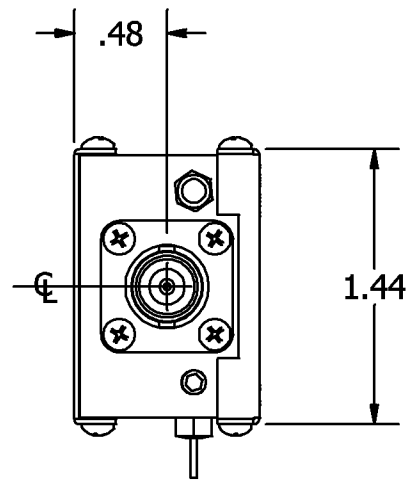


SPECIFICATION SHEET
JFW MODEL 50P-1633
RELAY PROGRAMMABLE ATTENUATOR

JFW Industries, Inc.
 Phone: 317-887-1340
 sales@jfwindustries.com
 www.jfwindustries.com

Frequency Range	DC-1000 MHz
Impedance	50 Ohms nominal
Attenuation Range	0-64.5 dB in 0.1 dB steps
Attenuation Steps	0.1, 0.2, 0.4, 0.8, 1, 2, 4, 8, 16, and 32 dB
VSWR	1.4:1 maximum
Attenuation Accuracy	0.1, 0.2, 0.4, 0.8 dB ± 0.05 dB 1, 2 dB ± 0.07 dB 4 dB ± 0.1 dB 8 dB ± 0.15 dB 16, 32 dB ± 0.25 dB Accumulated Error ± 0.25 dB or 2%
Insertion Loss	4 dB nominal
RF Input Power	1 Watt average
Switching Speed	6 milliseconds
DC Supply / Control	+12 Vdc @ 30 mA per relay
DC Connector	Solder terminals
RF Connector	SMA, BNC, TNC, or N female
Physical Size	See outline drawing 092-4448

ECR/ECN #	DATE	REV	APPR / DATE	ECR/ECN #	DATE	REV	APPR / DATE
	04/05/2004		TRS 04/05/2004				
14364	07/06/2007	A	TRS 07/06/2007				
21945	10/01/2012	B	CLK 10/01/2012				



REV	ECN	DATE	BY	APPR
-	ISSUED	4-5-04	BZ	TEZ
A	24444	9-24-15	JZ	TEZ
B	27900	6-1-17	CDC	TEZ



JFW INDUSTRIES, INC.
www.jfwindustries.com PH: 317-887-1340

MATERIAL	BRASS	PROPRIETARY INFORMATION
FINISH	NICKEL	ALL SURFACES ARE TO BE FREE OF BURRS, PITS & SCRATCHES
MODEL	50P-XXXX	TOLERANCES .XX±.010 .XXX±.005 XX°±.5°
DESCRIPTION	PROGRAMMABLE ATTENUATOR	DWG # 092-4448
SCALE	FULL	