

SPECIFICATION SHEET

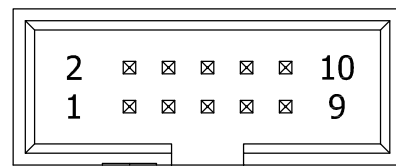
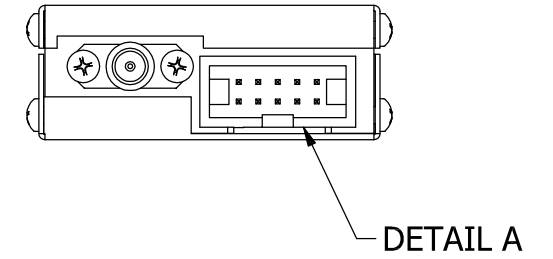
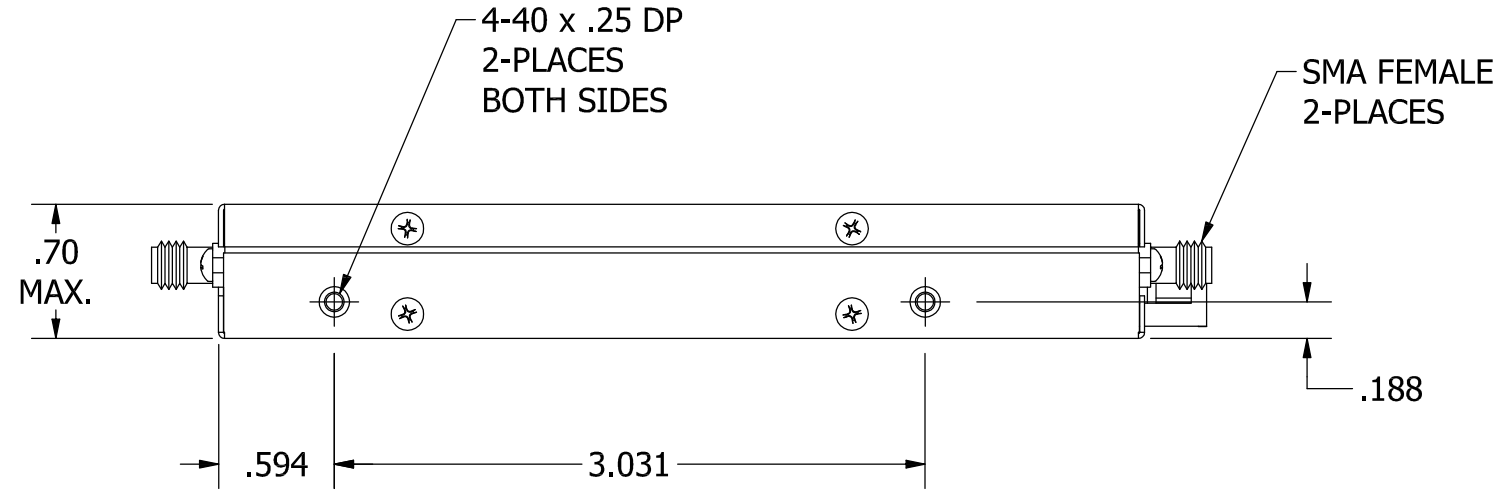
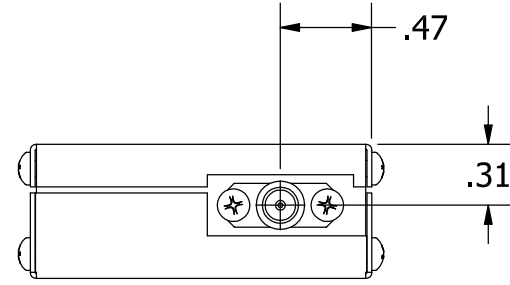
JFW MODEL 50P-1782

SOLID STATE PROGRAMMABLE ATTENUATOR

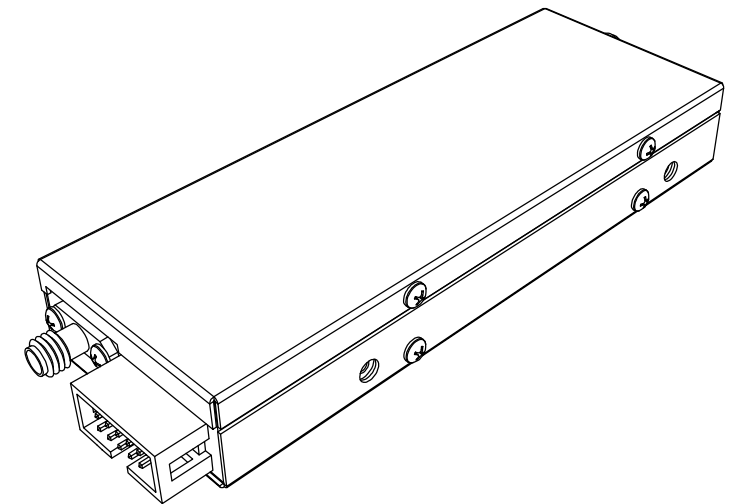
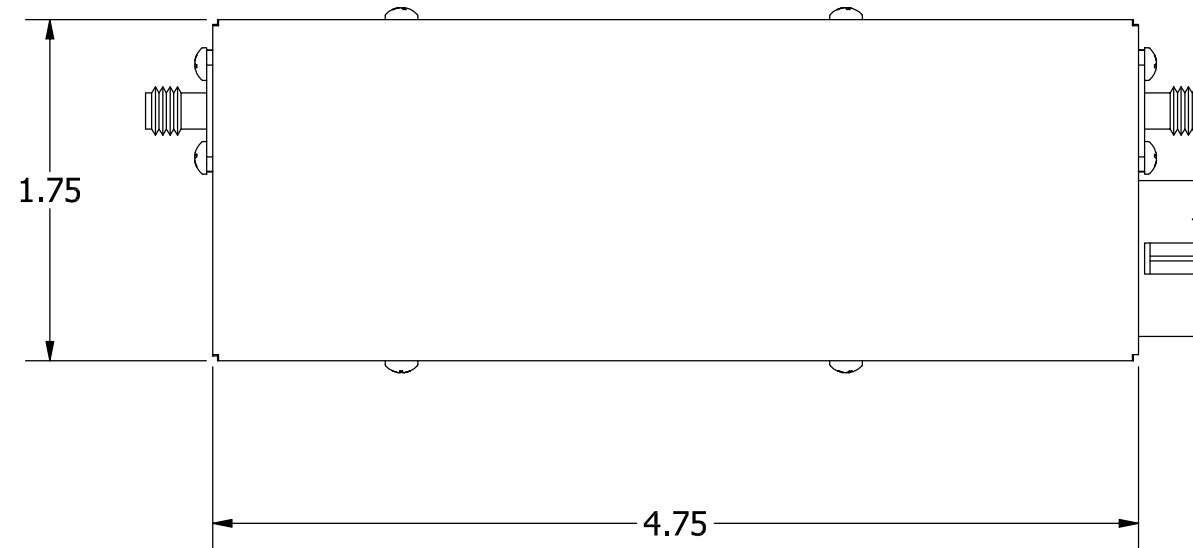
JFW Industries, Inc.
Phone: 317-887-1340
sales@jfwindustries.com
www.jfwindustries.com

Frequency Range	15-2000 MHz
Impedance	50 Ohms nominal
Attenuation Range	0-127 dB in 1 dB steps
Attenuation Steps	1, 2, 4, 8, 16, 32 and 64 dB
VSWR	1.5:1 maximum
Attenuation Accuracy	± 0.4 dB or 2% of programmed (whichever is greater)
Insertion Loss	6.0 dB maximum 2.0 dB typical @ 15 MHz 5.5 dB typical @ 2000 MHz
RF Input Power	+10 dBm operating +30 dBm (no damage)
Switching Speed	10 microseconds
DC Supply	+5 Vdc @ 300 mA
Control Logic (7 Lines)	TTL Low for Thru Path TTL High for Attenuation
RF Connector	SMA female
Operating Temperature Range	0°C to +70°C
Physical Size	See outline drawing 092-5410-01

ECR/ECN #	DATE	REV	APPR / DATE	ECR/ECN #	DATE	REV	APPR / DATE
	05/04/2007		TRS 05/04/2007	17693	09/16/2009	C	CLK 09/16/2009
15807	05/02/2008	A	TRS 05/02/2008				
16012	06/12/2008	B	TRS 06/12/2008				



DETAIL A
T&B #609-1057



PIN	FUNCTION
1	1 dB TTL CONT.
2	2 dB TTL CONT.
3	4 dB TTL CONT.
4	8 dB TTL CONT.
5	16 dB TTL CONT.
6	32 dB TTL CONT.
7	64 dB TTL CONT.
8	NO CONNECTION
9	+5 Vdc
10	GROUND

REV	ECN	DATE	BY	APPR
-	ISSUED	5-2-08	TEZ	TRS
A	24444	9-17-15	JZ	TEZ



JFW INDUSTRIES, INC.

www.jfwindustries.com

PH: 317-887-1340

MATERIAL	BRASS	PROPRIETARY INFORMATION
FINISH	NICKEL	ALL SURFACES ARE TO BE FREE OF BURRS, PITS & SCRATCHES
MODEL	50P-XXXX	TOLERANCES .XX±.010 .XXX±.005 XX°±.5°
DESCRIPTION	PROGRAMMABLE ATTENUATOR	DWG #
		092-5410-01