

**SPECIFICATION SHEET**

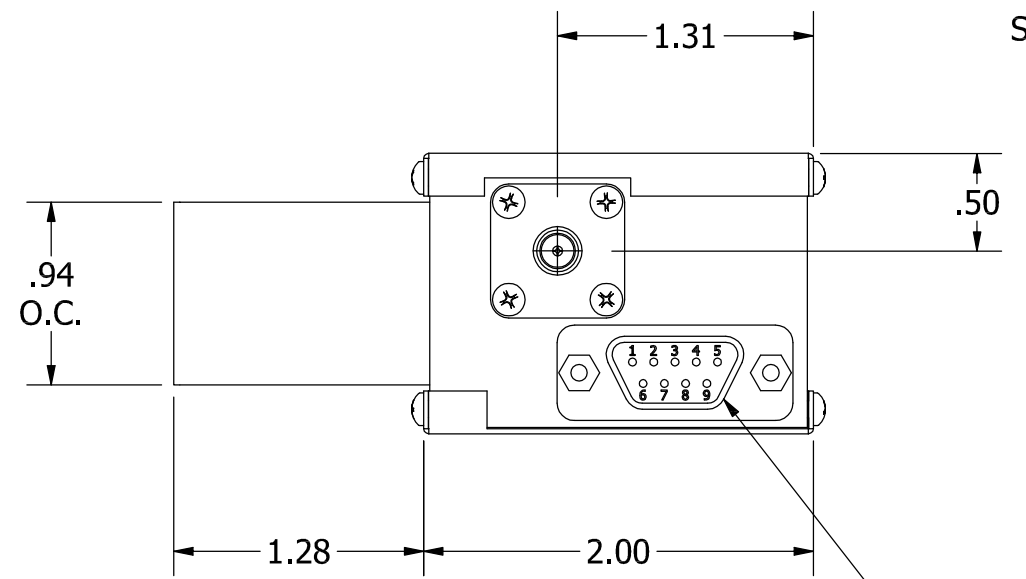
**JFW MODEL 50P-1849**

**RELAY PROGRAMMABLE ATTENUATOR**

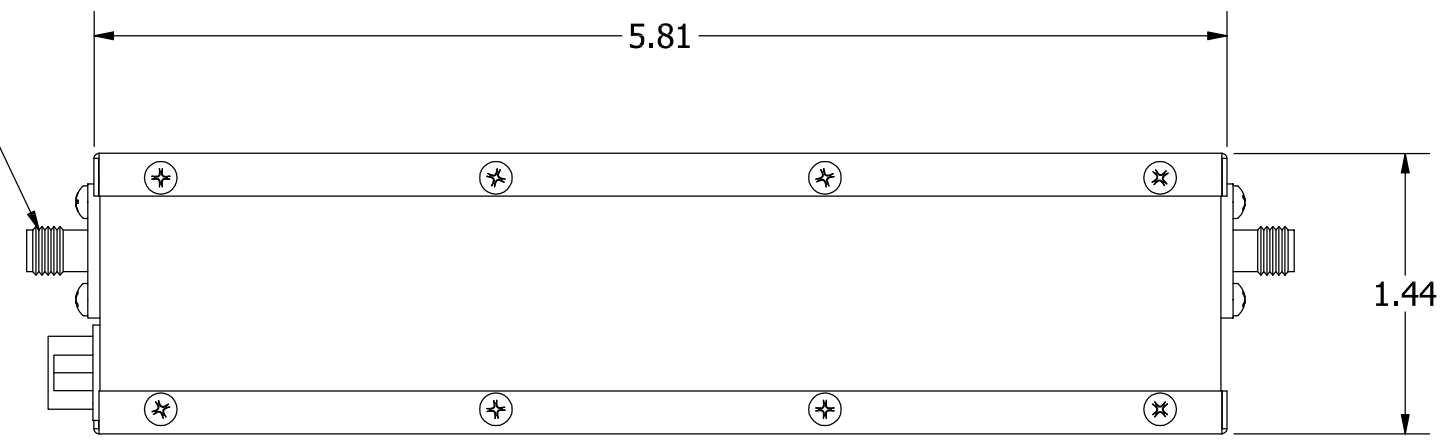
JFW Industries, Inc.  
Phone: 317-887-1340  
sales@jfwindustries.com  
www.jfwindustries.com

Frequency Range	DC-2700 MHz
Impedance	50 Ohms nominal
Attenuation Range	0-63 dB in 1 dB steps
Attenuation Steps	1, 2, 4, 8, 16 and 32 dB
VSWR	1.5:1 maximum
Attenuation Accuracy	± 0.50 dB (1,2,4,8 and 16dB pads) ± 0.75 dB (32 dB pad) ± 1.25 dB or 3% of programmed values (whichever is greater)
Insertion Loss	2.5 dB typical at 1GHz 4.0 dB typical at 2GHz 4.5 dB typical at 2.7GHz 5.0 dB maximum DC-2.7GHz
Repeatability	± 0.05 dB @ 2.0 GHz typical ± 0.10 dB @ 2.5 GHz typical ± 0.15 dB @ 3.0 GHz typical
RF Input Power	10 Watts average
Switching Speed	10 milliseconds
Control	+12 Vdc at 30 mA per relay
RF Connector	SMA, BNC, TNC or N female
Operating Temperature Range	-20°C to +60°C
Physical Size	See outline drawing 092-3258

ECR/ECN #	DATE	REV	APPR / DATE	ECR/ECN #	DATE	REV	APPR / DATE
	05/15/2009		BAC 05/15/2009				
28719	05/07/2018	A	BAC 05/07/2018				
30907	01/27/2021	B	CLK 01/27/2021				

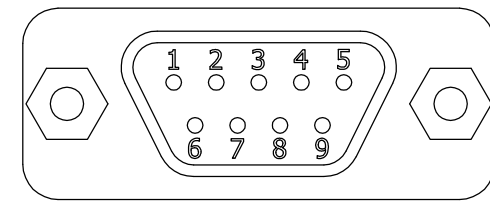
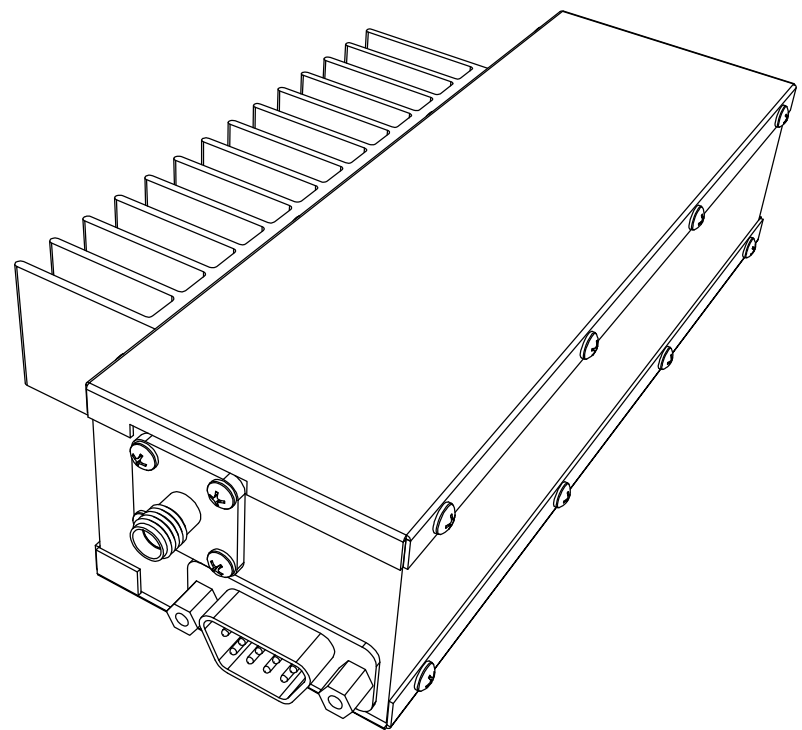
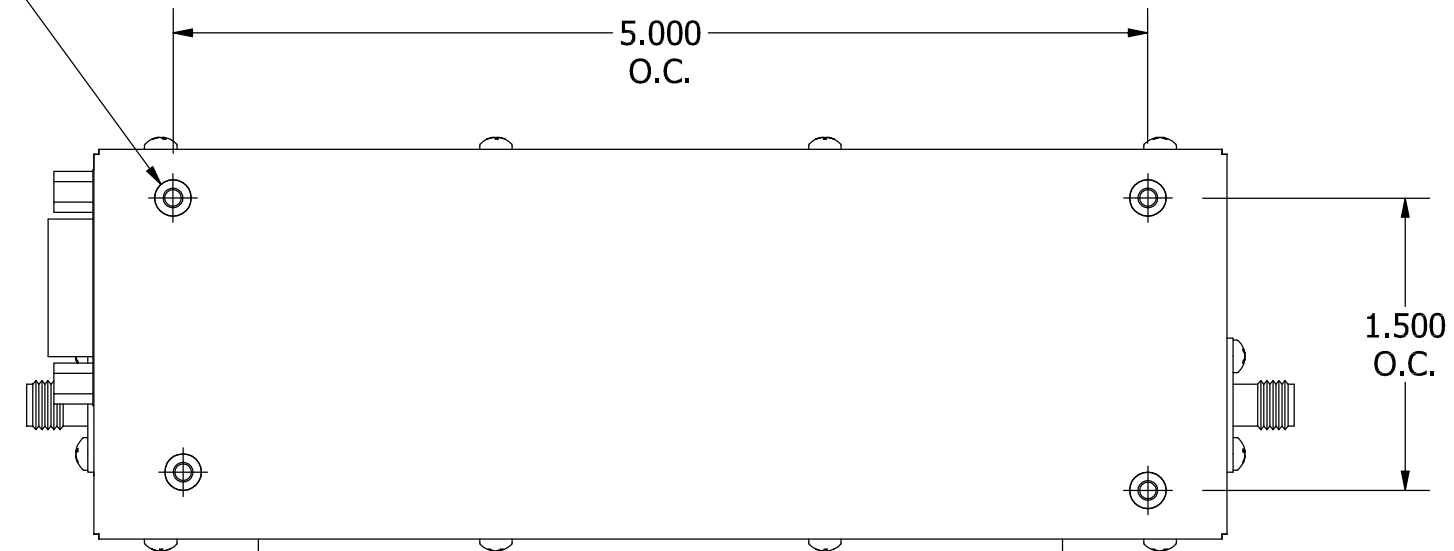


SMA FEMALE  
2-PLACES

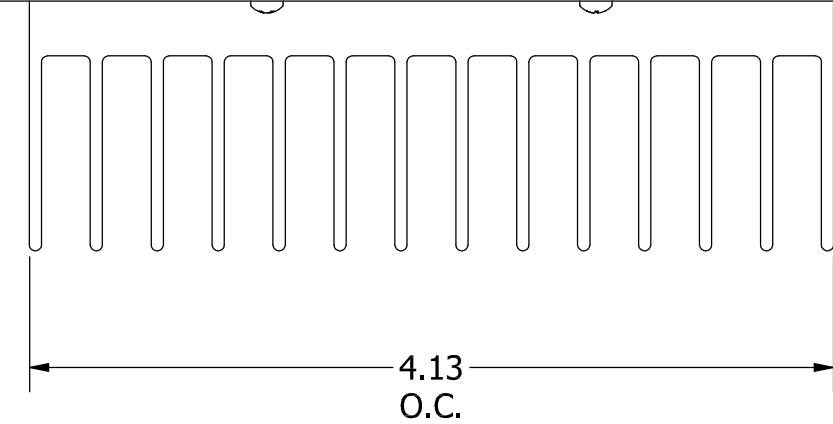


4-40 x .25 DP  
4-PLACES

DETAIL A



DETAIL A  
DE-9P



PIN	FUNCTION
1	1 dB CONTROL
2	2 dB CONTROL
3	4 dB CONTROL
4	8 dB CONTROL
5	16 dB CONTROL
6	32 dB CONTROL
7	NO CONNECTION
8	NO CONNECTION
9	GROUND

REV	ECN	DATE	BY	APPR
-	ISSUED	11-15-99	CB	FDW
A	6905	11-15-01	CMB	TEZ
B	7060	4-4-02	CMB	TEZ
C	7947	7-30-04	LT	TEZ
D	24444	9-24-15	JZ	TEZ



**JFW INDUSTRIES, INC.**

www.jfwindustries.com

PH: 317-887-1340

MATERIAL	BRASS	PROPRIETARY INFORMATION
FINISH	NICKEL	ALL SURFACES ARE TO BE FREE OF BURRS, PITS & SCRATCHES
MODEL	50P-XXXX	TOLERANCES .XX±.010 .XXX±.005 XX°±.5°
DESCRIPTION	PROGRAMMABLE ATTENUATOR	DWG #
		092-3258