

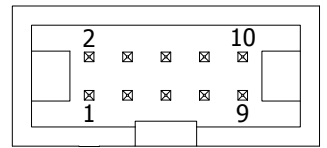
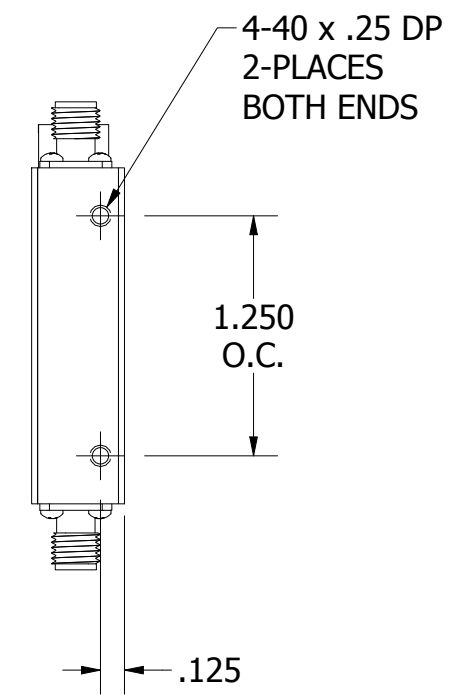
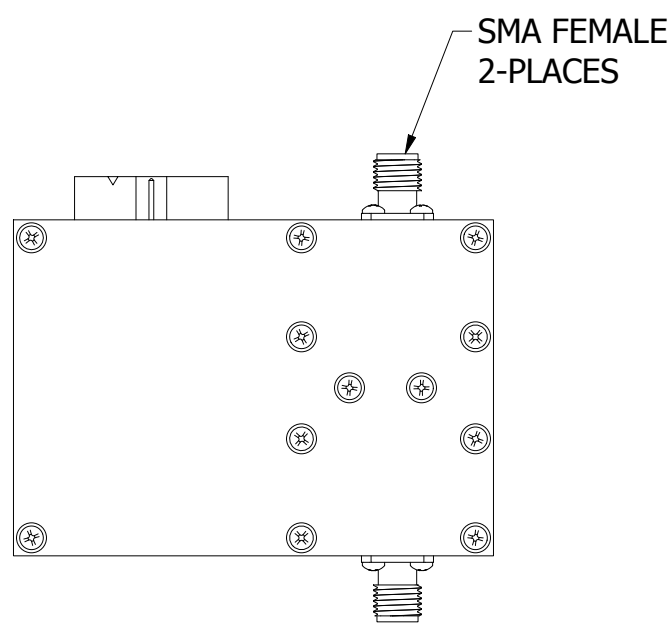
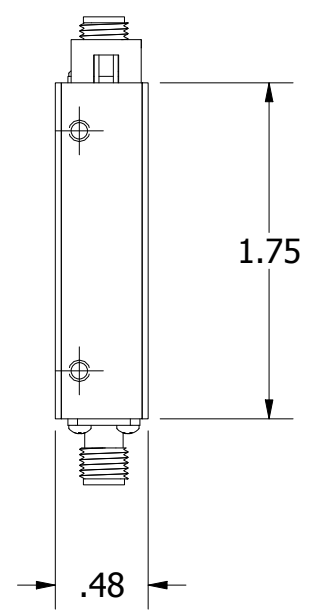
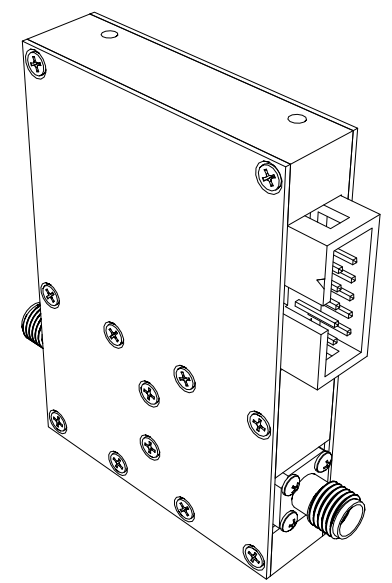
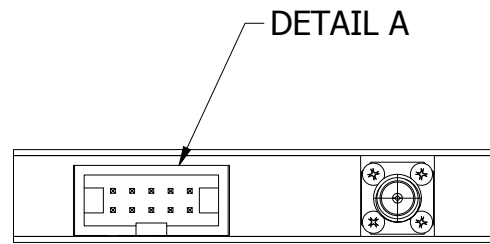
SPECIFICATION SHEET**JFW MODEL 50P-1853****SOLID STATE PROGRAMMABLE ATTENUATOR**

JFW Industries, Inc.
 Phone: 317-887-1340
 sales@jfwindustries.com
 www.jfwindustries.com

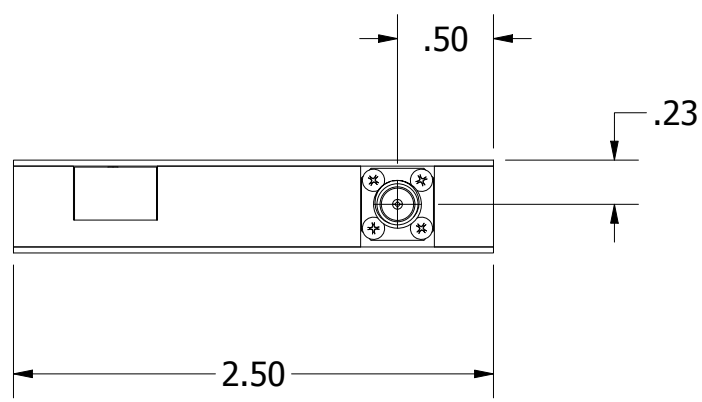
Frequency Range	200-6000 MHz
Impedance	50 Ohms nominal
Attenuation Range	0-63 dB in 1 dB steps
Attenuation Steps	1, 2, 4, 8, 16 and 32 dB
VSWR	1.8:1 maximum 200-800 MHz 1.5:1 maximum 800-6000 MHz
Attenuation Accuracy (guaranteed monotonic)	± 0.50 dB 1-7 dB ± 1.00 dB 8-11 dB ± 1.25 or 4% 12-63 dB (whichever is greater)
Insertion Loss	5.9 dB maximum 2.6 dB typical @ 200 MHz 2.8 dB typical @ 700 MHz 3.4 dB typical @ 2000 MHz 5.5 dB typical @ 6000 MHz
RF Input Power*	+27 dBm (operating) +33 dBm (no damage)
Switching Speed	3 microseconds maximum 0.7 microseconds typical
DC Supply	+5Vdc @ 50mA nominal
Control Logic (6 Lines)	TTL Low for Thru Path TTL High for Attenuation
DC Connector	3M #D2510-6002 (Mating Connector 3M #3473-6610)
RF Connector	SMA
Operating Temperature Range	-40°C to +85°C
Physical Size	See outline drawing: 092-7462-03 (SMA) 092-7462-04 (SMA Male/Female)

* Units shipped before 7/19/2018 (date code 1829) are only rated at +20dBm maximum. The JFW date code is a four digit code (YYWW) that follows the six digit serial number. For example date code 1908 is the 8th week of 2019.

ECR/ECN #	DATE	REV	APPR / DATE	ECR/ECN #	DATE	REV	APPR / DATE
18184	01/26/2010	B	CLK 01/26/2010	28890	07/19/2018	E	TRS 07/19/2018
19054	08/25/2010	C	CLK 08/25/2010	29124	11/06/2018	F	CLK 11/06/2018
22505	02/27/2013	D	CLK 02/27/2013	29857	10/02/2019	G	TRS 10/02/2019



DETAIL A
3M #D2510-6002-AR
OR EQUIVALENT



PIN	FUNCTION
1	1dB TTL CONT.
2	2dB TTL CONT.
3	4dB TTL CONT.
4	8dB TTL CONT.
5	16dB TTL CONT.
6	32dB TTL CONT.
7	NO CONNECTION
8	NO CONNECTION
9	DC SUPPLY
10	GROUND

REV	ECN	DATE	BY	APPR
-	ISSUED	2-13-13	TEZ	CLK
A	24444	10-12-15	JZ	TEZ
B	29124	6-18-19	ICC	JZ



JFW INDUSTRIES, INC.

www.jfwindustries.com PH: 317-887-1340

MATERIAL	ALUMINUM ALLOY	PROPRIETARY INFORMATION
FINISH	ELECTROLESS NICKEL	ALL SURFACES ARE TO BE FREE OF BURRS, PITS & SCRATCHES
MODEL	50P-XXXX	TOLERANCES .XX±.010 .XXX±.005 XX*±.5°
DESCRIPTION	PROGRAMMABLE ATTENUATOR	DWG # 092-7462-03