

SPECIFICATION SHEET

JFW MODEL 50P-1867

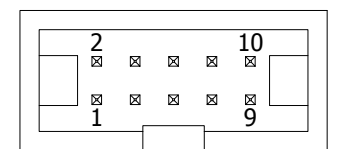
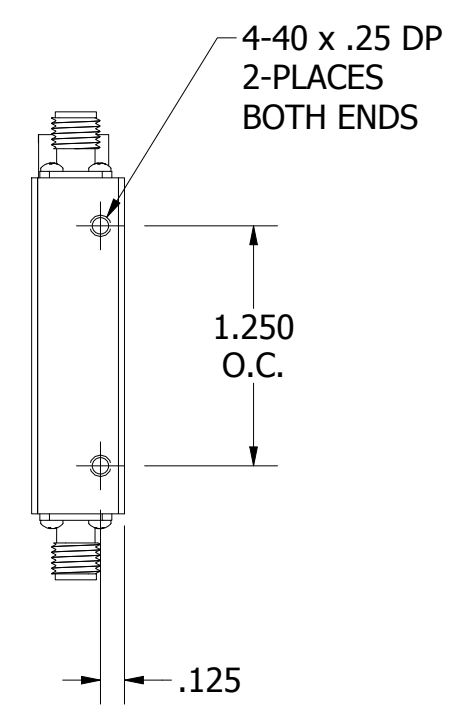
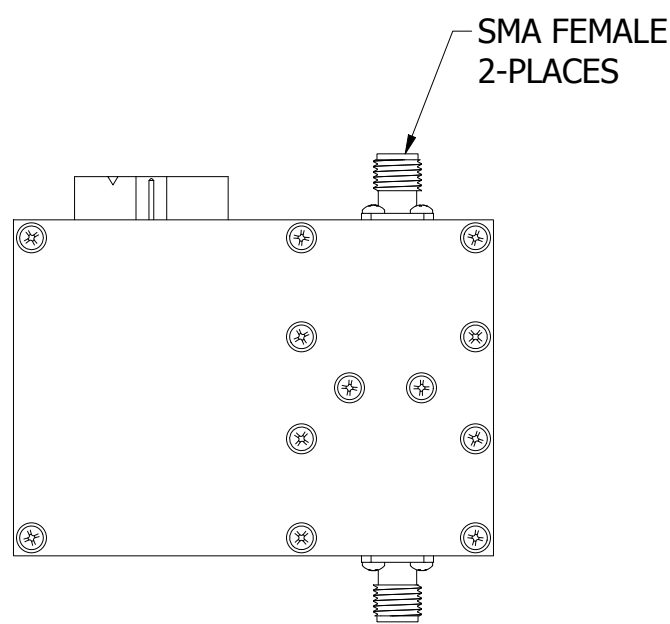
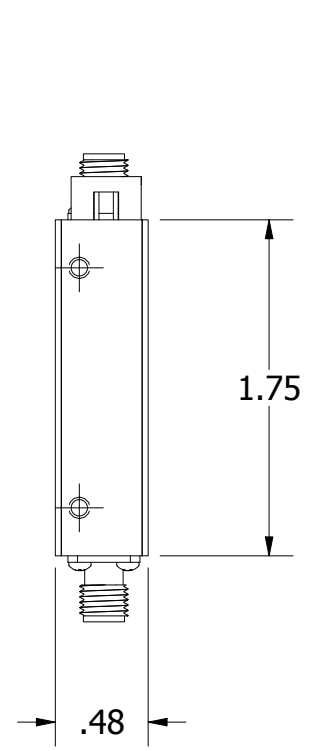
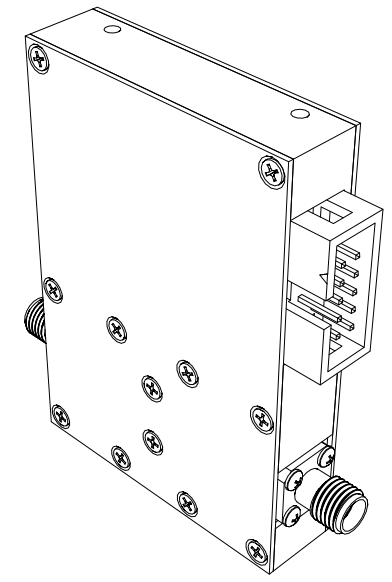
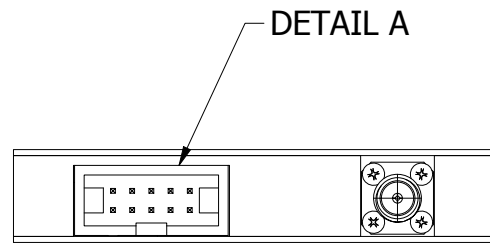
SOLID STATE PROGRAMMABLE ATTENUATOR

JFW Industries, Inc.
Phone: 317-887-1340
sales@jfwindustries.com
www.jfwindustries.com

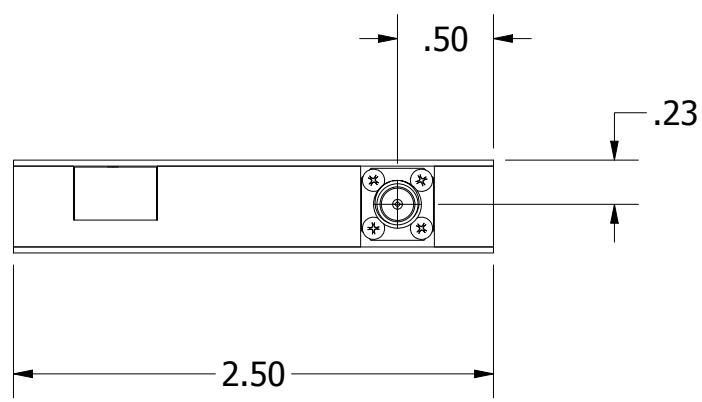
Frequency Range	30-3000 MHz
Impedance	50 Ohms nominal
Attenuation Range	0-31.75 dB in 0.25 dB steps
Attenuation Steps	0.25, 0.5, 1, 2, 4, 8 and 16 dB
VSWR	1.5:1 maximum
Attenuation Accuracy (guaranteed monotonic)	± 0.10 dB 0.25-1.0 dB ± 0.25 dB 1.25-8.0 dB ± 0.50 dB or 2% 8.25-31.75 dB (whichever is greater)
Insertion Loss	2.5 dB maximum 1.1 dB typical @ 30 MHz 1.7 dB typical @ 3000 MHz
RF Input Power*	+27 dBm (operating) +33 dBm (no damage)
Switching Speed	3 microseconds maximum 0.7 microseconds typical
DC Supply	+5Vdc @ 2mA nominal
Control Logic (7 Lines)	TTL Low for Thru Path TTL High for Attenuation
RF Connector	SMA
Operating Temperature Range	-40°C to +85°C
Physical Size	See outline drawing: 092-7462-15 (SMA) 092-7462-16 (SMA Male/Female)

* Units shipped before 11/22/2017 (date code 1747) are only rated at +20dBm maximum. The JFW date code is a four digit code (YYWW) that follows the six digit serial number. For example date code 1908 is the 8th week of 2019.

ECR/ECN #	DATE	REV	APPR / DATE	ECR/ECN #	DATE	REV	APPR / DATE
18190	01/26/2010	B	CLK 01/26/2010	28278	11/22/2017	E	CLK 11/22/2017
19051	08/25/2010	C	CLK 08/25/2010	28312	12/06/2017	F	CLK 12/06/2017
22505	02/27/2013	D	CLK 02/27/2013	29857	10/02/2019	G	TRS 10/02/2019



DETAIL A
3M #D2510-6002-AR
OR EQUIVALENT



PIN	FUNCTION
1	.25dB TTL CONT.
2	.5dB TTL CONT.
3	1dB TTL CONT.
4	2dB TTL CONT.
5	4dB TTL CONT.
6	8dB TTL CONT.
7	16dB TTL CONT.
8	NO CONNECTION
9	DC SUPPLY
10	GROUND

REV	ECN	DATE	BY	APPR
-	ISSUED	2-13-13	TEZ	CLK
A	24444	10-12-15	JZ	TEZ
B	29124	6-18-19	ICC	JZ



JFW INDUSTRIES, INC.

www.jfwindustries.com PH: 317-887-1340

MATERIAL	ALUMINUM ALLOY	PROPRIETARY INFORMATION
FINISH	ELECTROLESS NICKEL	ALL SURFACES ARE TO BE FREE OF BURRS, PITS & SCRATCHES
MODEL	50P-XXXX	TOLERANCES .XX±.010 .XXX±.005 XX*±.5°
DESCRIPTION	PROGRAMMABLE ATTENUATOR	DWG # 092-7462-15