

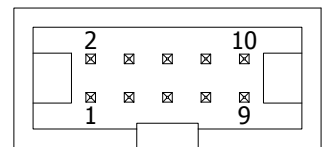
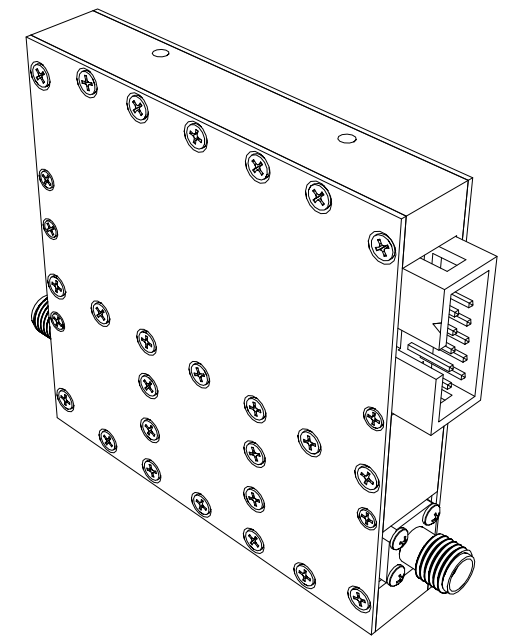
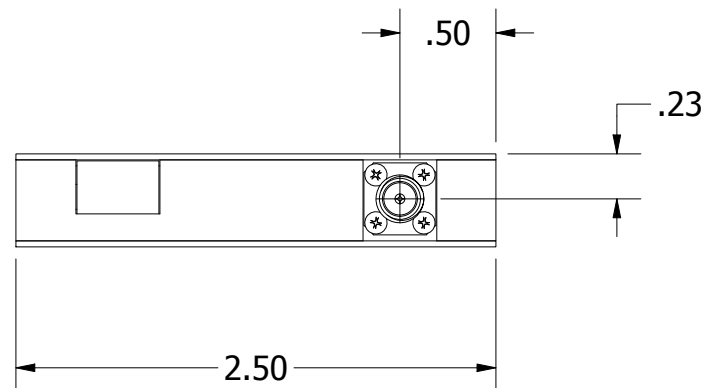
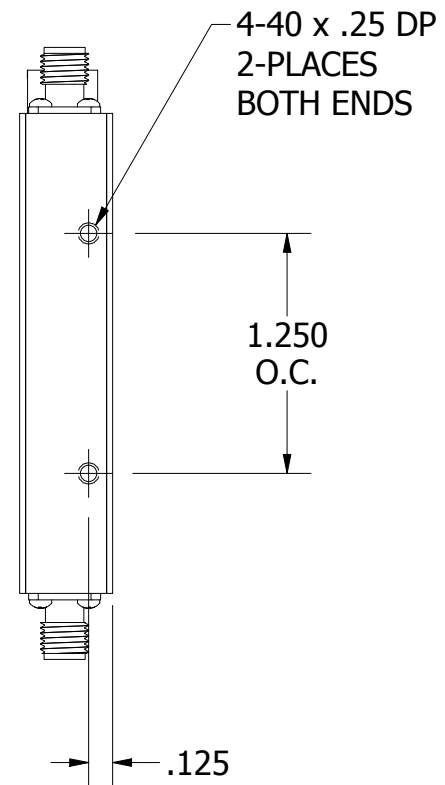
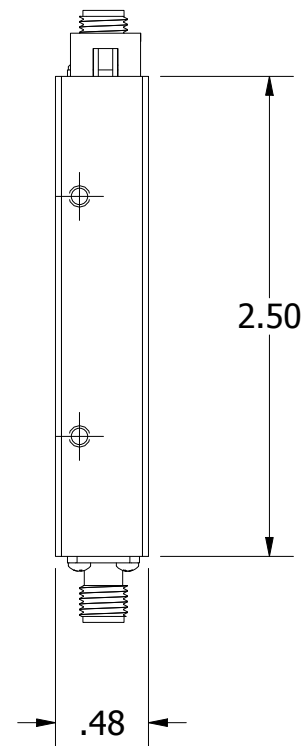
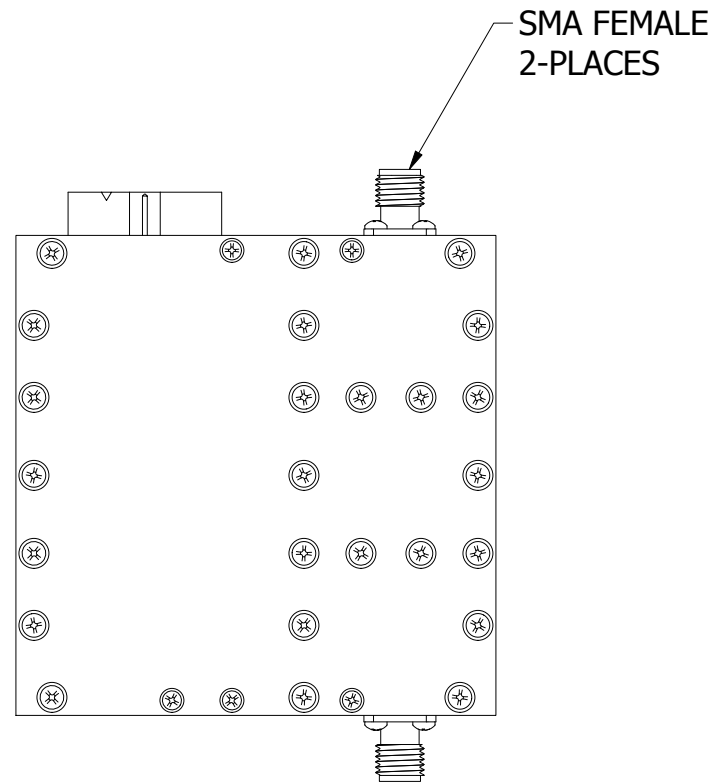
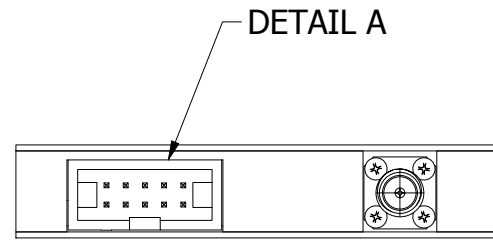
SPECIFICATION SHEET**JFW MODEL 50P-1897****SOLID STATE PROGRAMMABLE ATTENUATOR**

JFW Industries, Inc.
 Phone: 317-887-1340
 sales@jfwindustries.com
 www.jfwindustries.com

Frequency Range	30-3000 MHz
Impedance	50 Ohms nominal
Attenuation Range	0-95 dB in 1 dB steps
Attenuation Steps	1, 2, 4, 8, 16, 32 and 32 dB
VSWR	2.0:1 maximum 30-700 MHz 1.6:1 maximum 700-3000 MHz
Attenuation Accuracy (guaranteed monotonic)	± 0.50 dB 1-7 dB ± 1.00 dB 8-11 dB ± 1.25 dB or 3% 12-95 dB (whichever is greater)
Insertion Loss	5 dB maximum 2.7 dB typical @ 30 MHz 3.2 dB typical @ 700 MHz 4.5 dB typical @ 3000 MHz
RF Input Power*	+27 dBm (operating) +33 dBm (no damage)
Switching Speed	4 microseconds maximum 0.7 microseconds typical
DC Supply	+5Vdc @ 2mA nominal
Control Logic (7 Lines)	TTL Low for Thru Path TTL High for Attenuation
DC Connector	3M #D2510-6002 (Mating Connector 3M #3473-6610)
RF Connector	SMA female
Operating Temperature Range	-40°C to +85°C
Physical Size	See outline drawings: 092-7425-03 (SMA) 092-7425-04 (SMA M/F)

* Units shipped before 10/5/2017 (date code 1740) are only rated at +20dBm maximum. The JFW date code is a four digit code (YYWW) that follows the six digit serial number. For example date code 1908 is the 8th week of 2019.

ECR/ECN #	DATE	REV	APPR / DATE	ECR/ECN #	DATE	REV	APPR / DATE
19796	03/03/2011	A	CLK 03/03/2011	28156	10/05/2017	D	CLK 10/05/2017
20539	09/07/2011	B	CLK 09/07/2011	29124	11/06/2018	E	CLK 11/06/2018
22504	02/11/2013	C	CLK 02/11/2013	29857	10/02/2019	F	TRS 10/02/2019



DETAIL A
3M #D2510-6002-AR
OR EQUIVALENT

PIN	FUNCTION
1	1dB TTL CONT.
2	2dB TTL CONT.
3	4dB TTL CONT.
4	8dB TTL CONT.
5	16dB TTL CONT.
6	32dB TTL CONT.
7	32dB TTL CONT.
8	NO CONNECTION
9	+5Vdc
10	GROUND

REV	ECN	DATE	BY	APPR
-	ISSUED	2-11-13	JZ	CLK
A	24444	10-12-15	JZ	TEZ
B	29124	6-18-19	ICC	JZ



JFW INDUSTRIES, INC.

www.jfwindustries.com

PH: 317-887-1340

MATERIAL	ALUMINUM ALLOY	PROPRIETARY INFORMATION
FINISH	ELECTROLESS NICKEL	ALL SURFACES ARE TO BE FREE OF BURRS, PITS & SCRATCHES
MODEL	50P-XXXX	TOLERANCES .XX±.010 .XXX±.005 XX*±.5°
DESCRIPTION	PROGRAMMABLE ATTENUATOR	DWG # 092-7425-03
SCALE	FULL	