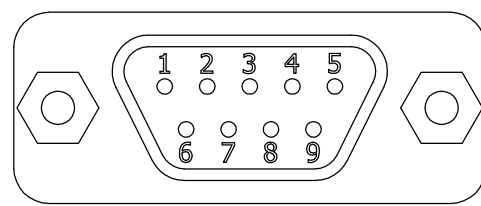
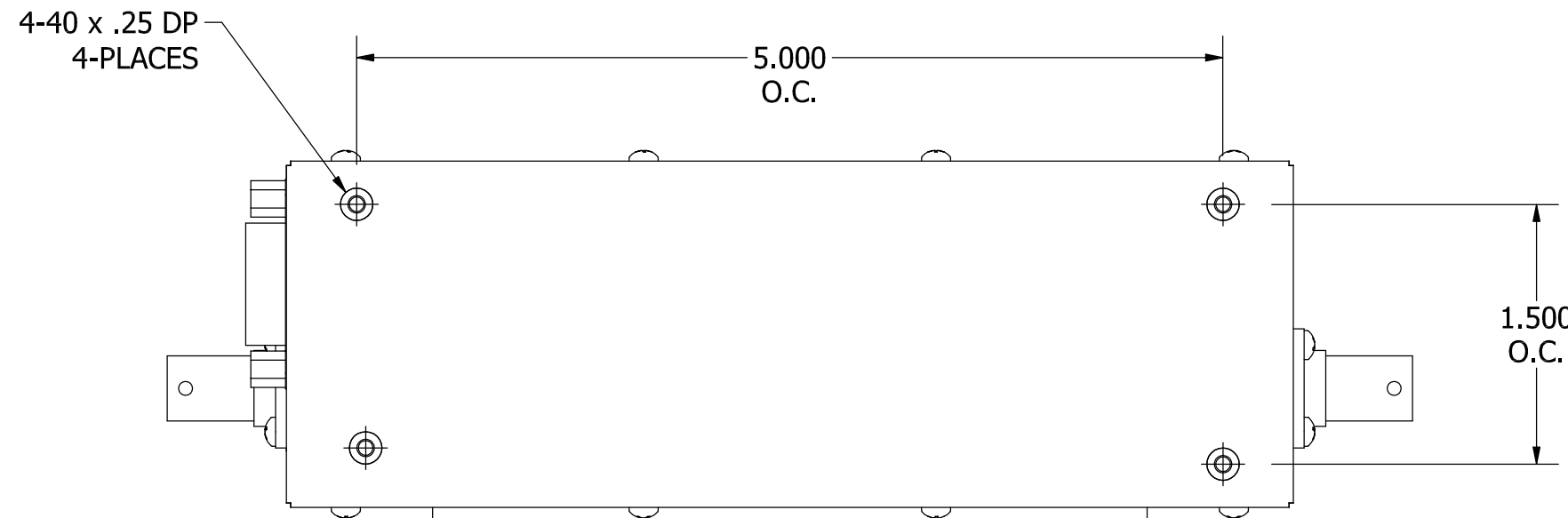
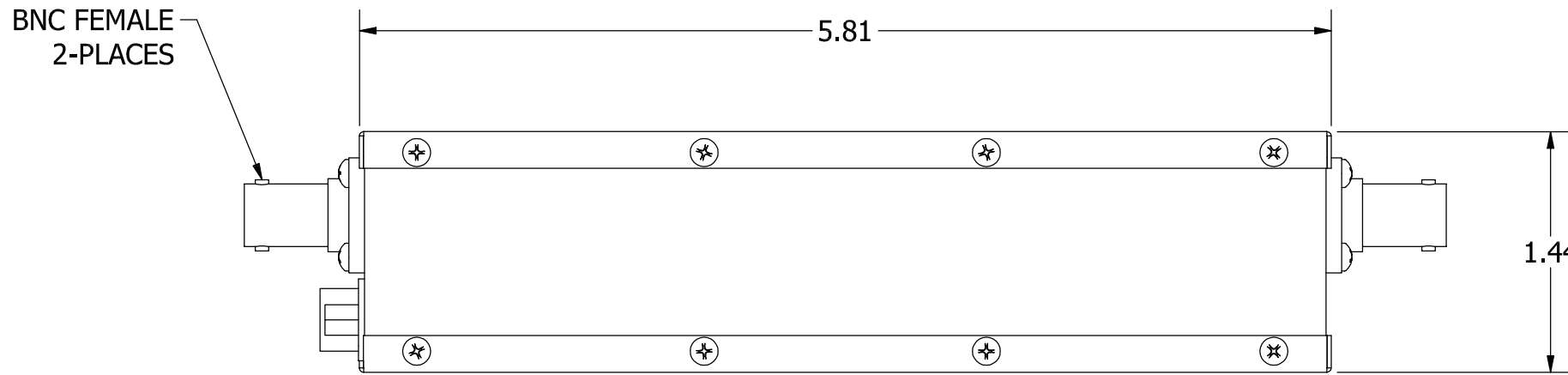
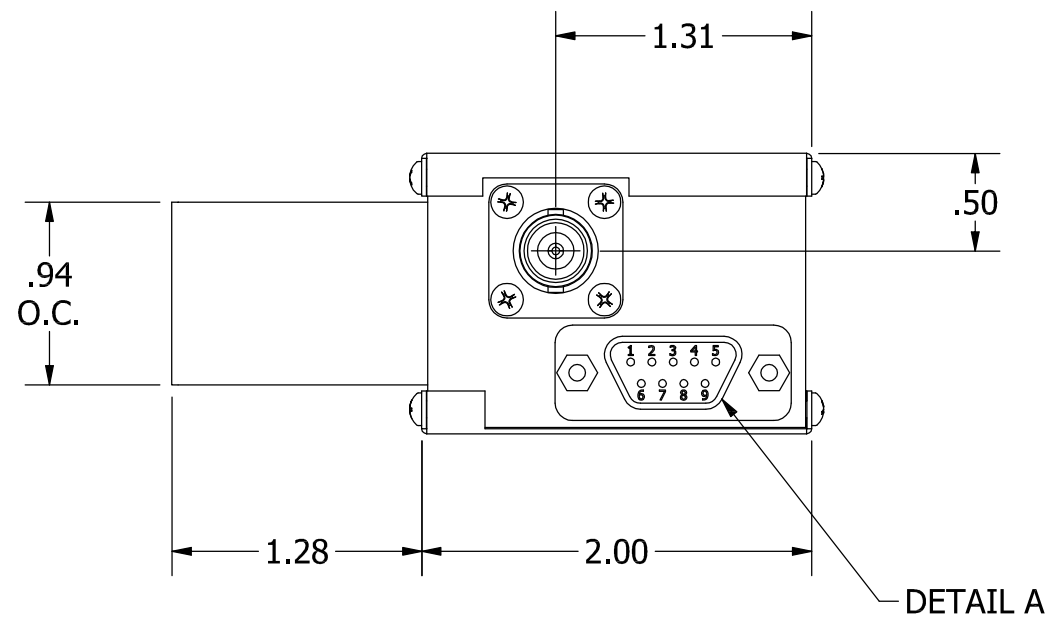


**SPECIFICATION SHEET**  
**JFW MODEL 50P-1930**  
**RELAY PROGRAMMABLE ATTENUATOR**

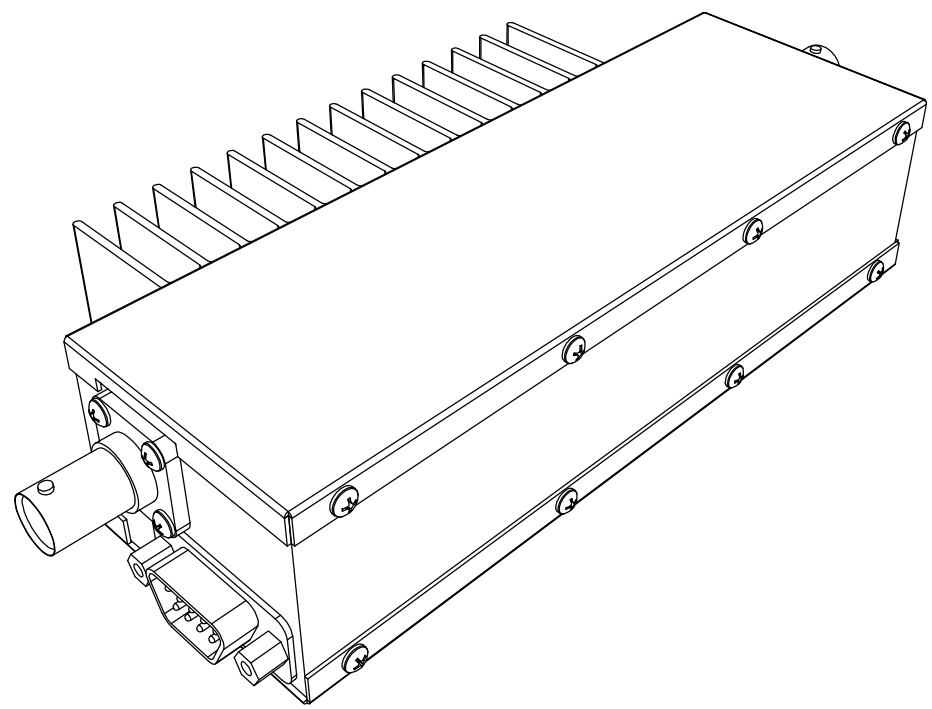
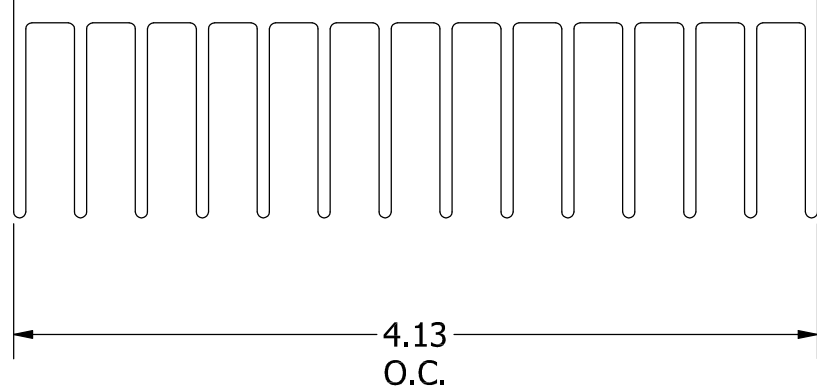
JFW Industries, Inc.  
 Phone: 317-887-1340  
 sales@jfwindustries.com  
 www.jfwindustries.com

Frequency Range	DC-200 MHz
Impedance	50 Ohms nominal
Attenuation Range	0-63 dB in 1 dB steps
Attenuation Steps	1, 2, 4, 8, 16 and 32 dB
VSWR	1.3:1 maximum
Attenuation Accuracy	± 0.5 dB
Insertion Loss	0.4 dB maximum 0.33 dB typical @ 200 MHz
RF Input Power	10 Watts average 100 Watts peak (1 microsecond)
Switching Speed	6 milliseconds
Control (6 lines)	TTL Low for Thru Path TTL High for Attenuation
DC Supply	+12 Vdc at 30 mA per relay (7 relays total)
DC Connector	DE-9P
RF Connector	BNC, TNC, N or SMA
Operating Temperature Range	-20°C to +85°C
Physical Size	See outline drawing 092-7118

ECR/ECN #	DATE	REV	APPR / DATE	ECR/ECN #	DATE	REV	APPR / DATE
	10/25/2011		CLK 10/25/2011				
27019	09/01/2016	A	CLK 09/01/2016				



DETAIL A  
DE-9P



PIN	FUNCTION
1	1 dB CONTROL
2	2 dB CONTROL
3	4 dB CONTROL
4	8 dB CONTROL
5	16 dB CONTROL
6	32 dB CONTROL
7	NO CONNECTION
8	+Vdc
9	GROUND

REV	ECN	DATE	BY	APPR
-	ISSUED	10-25-11	JZ	TEZ
A	24444	10-22-15	JZ	TEZ



**JFW INDUSTRIES, INC.**  
[www.jfwindustries.com](http://www.jfwindustries.com) PH: 317-887-1340

MATERIAL	BRASS	PROPRIETARY INFORMATION
FINISH	NICKEL	ALL SURFACES ARE TO BE FREE OF BURRS, PITS & SCRATCHES
MODEL	50P-XXXX	TOLERANCES .XX±.010 .XXX±.005 XX°±.5°
DESCRIPTION	PROGRAMMABLE ATTENUATOR	DWG #
		092-7118