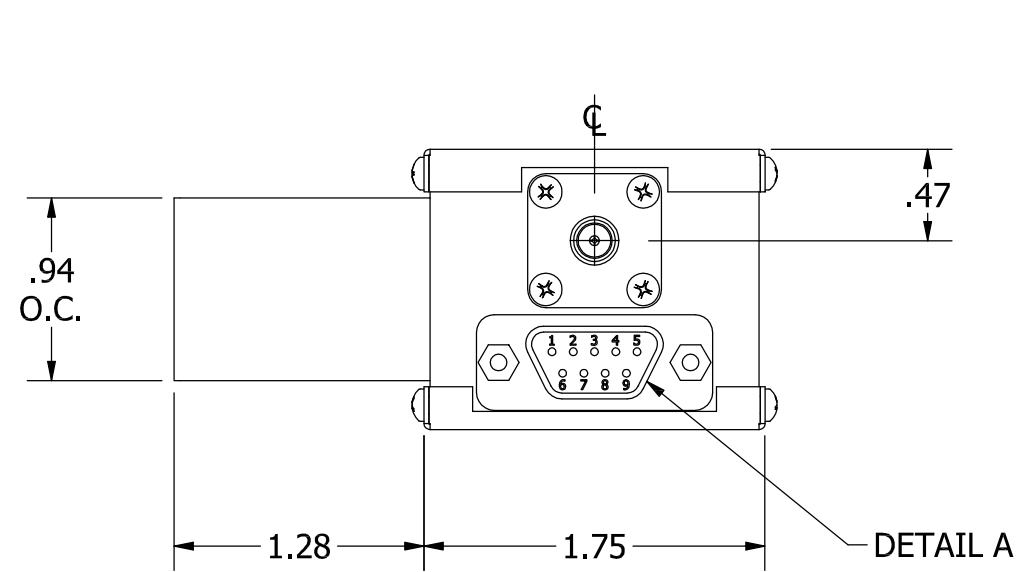


SPECIFICATION SHEET
JFW MODEL 50P-1941
RELAY PROGRAMMABLE ATTENUATOR

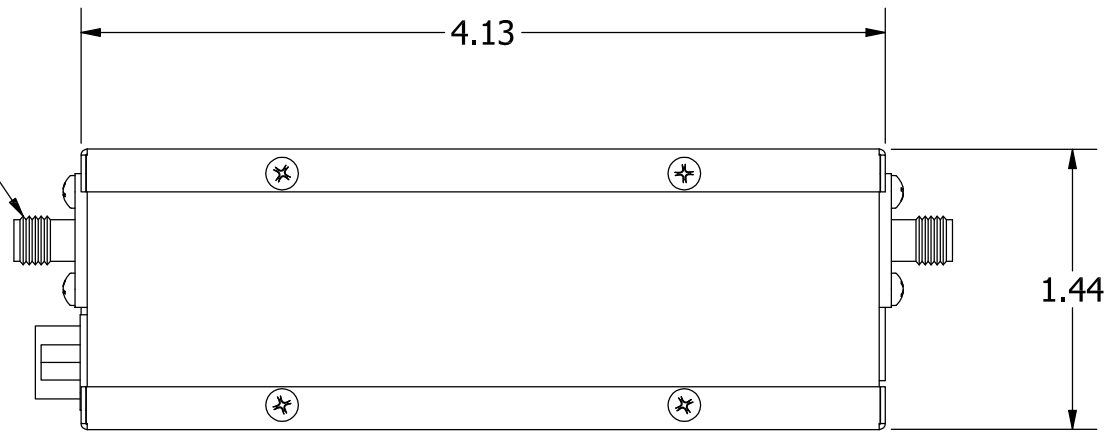
JFW Industries, Inc.
 Phone: 317-887-1340
 sales@jfwindustries.com
 www.jfwindustries.com

Frequency Range	DC-3000 MHz
Impedance	50 Ohms nominal
Attenuation Range	0-15 dB in 1 dB steps
Attenuation Steps	1, 2, 4 and 8 dB
VSWR	1.5:1 maximum
Attenuation Accuracy	± 0.50 dB 1 dB ± 0.75 dB 2, 4 and 8 dB
Insertion Loss	2.0 dB typical at 1GHz 3.0 dB typical at 2GHz 4.5 dB typical at 3GHz 5.0 dB maximum DC-3GHz
RF Input Power	10 Watts average
Switching Speed	10 milliseconds
Control	+12 Vdc at 30 mA per relay
RF Connector	SMA, BNC, TNC or N female
Operating Temperature Range	-20°C to +60°C
Physical Size	See outline drawing 092-7393

ECR/ECN #	DATE	REV	APPR / DATE	ECR/ECN #	DATE	REV	APPR / DATE
	06/21/2012		CLK 06/21/2012				
24703	11/13/2014	A	CLK 11/13/2014				

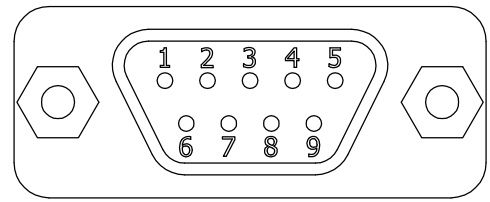
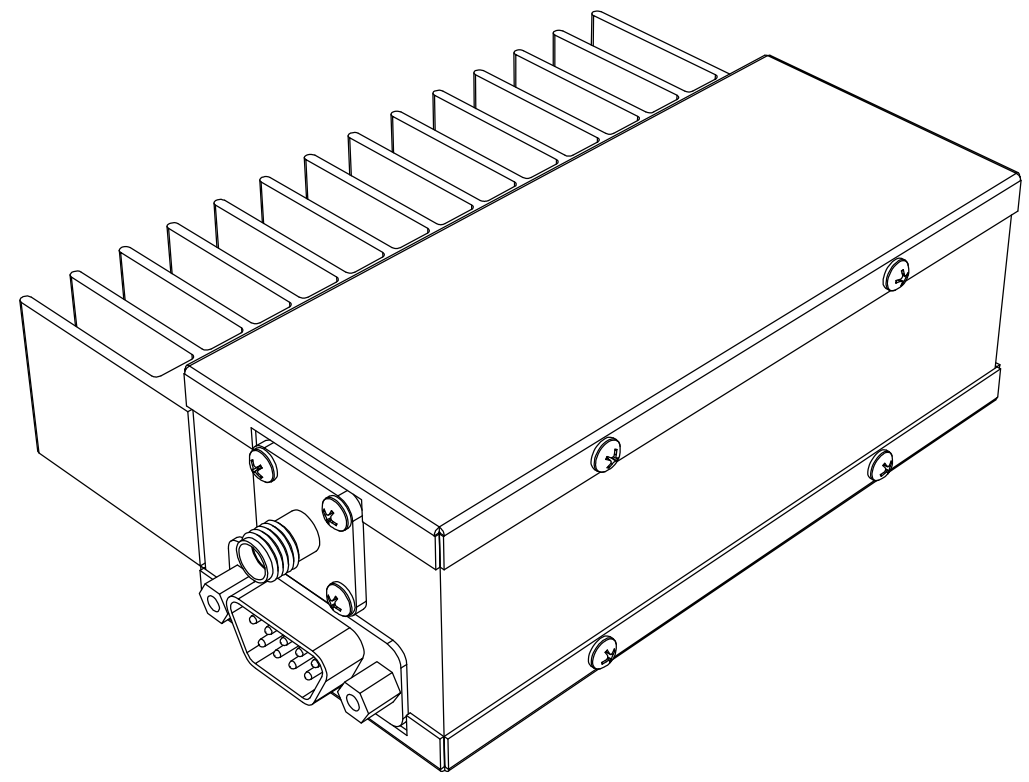
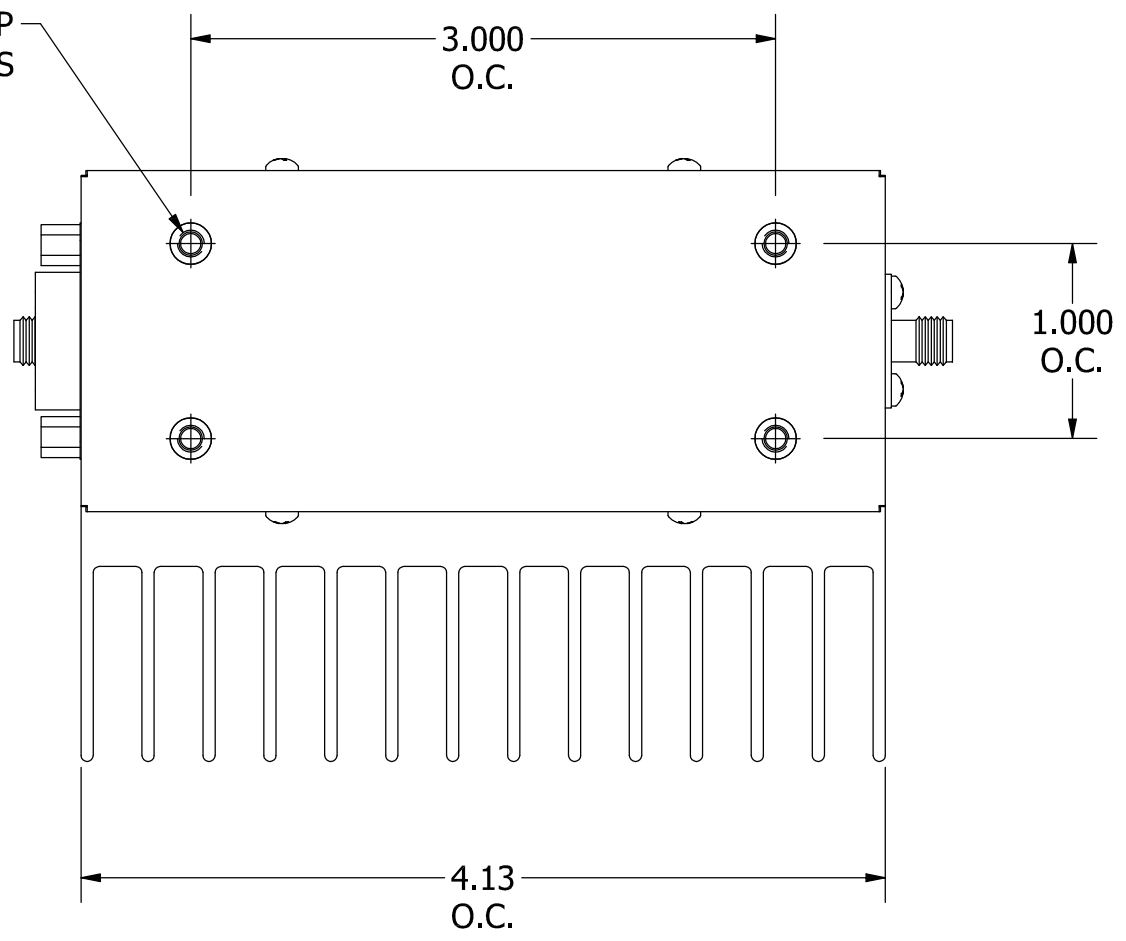


SMA FEMALE
2-PLACES



DETAIL A

6-32 x .25 DP
4-PLACES



DETAIL A
DE-9P

PIN	FUNCTION
1	1 dB CONTROL
2	2 dB CONTROL
3	4 dB CONTROL
4	8 dB CONTROL
5	NO CONNECTION
6	NO CONNECTION
7	NO CONNECTION
8	NO CONNECTION
9	GROUND

REV	ECN	DATE	BY	APPR
-	ISSUED	6-21-12	DCK	CLK
A	24444	10-22-15	JZ	TEZ



JFW INDUSTRIES, INC.

www.jfwindustries.com PH: 317-887-1340

MATERIAL	BRASS	PROPRIETARY INFORMATION
FINISH	NICKEL	ALL SURFACES ARE TO BE FREE OF BURRS, PITS & SCRATCHES
MODEL	50P-XXXX	TOLERANCES .XX±.010 .XXX±.005 XX°±.5°
SCALE	FULL	DWG #
DESCRIPTION	PROGRAMMABLE ATTENUATOR	092-7393