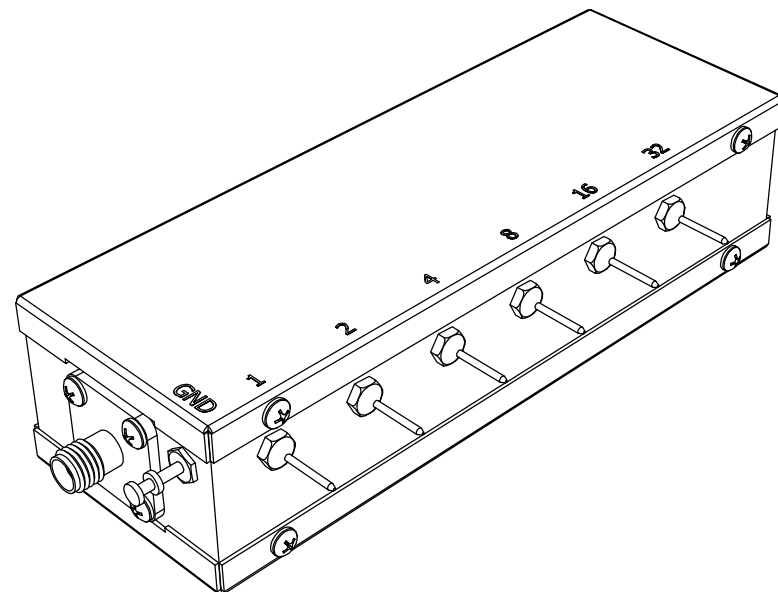
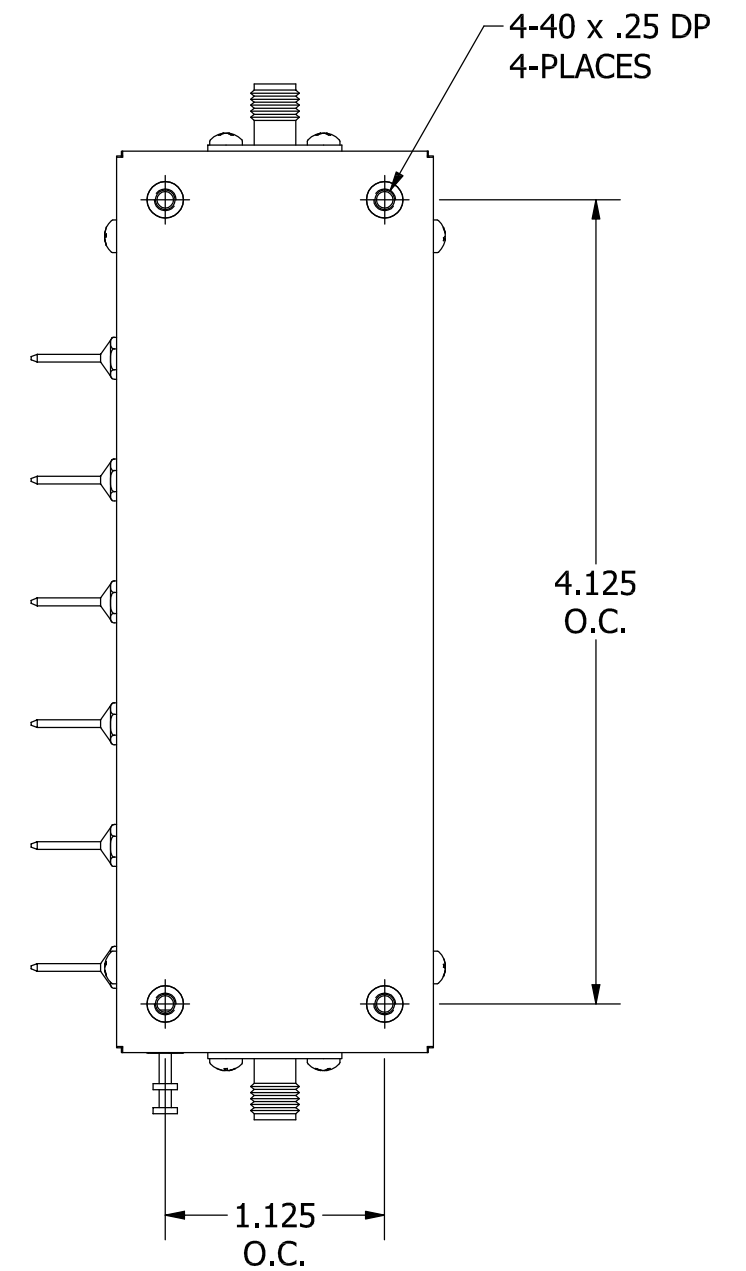
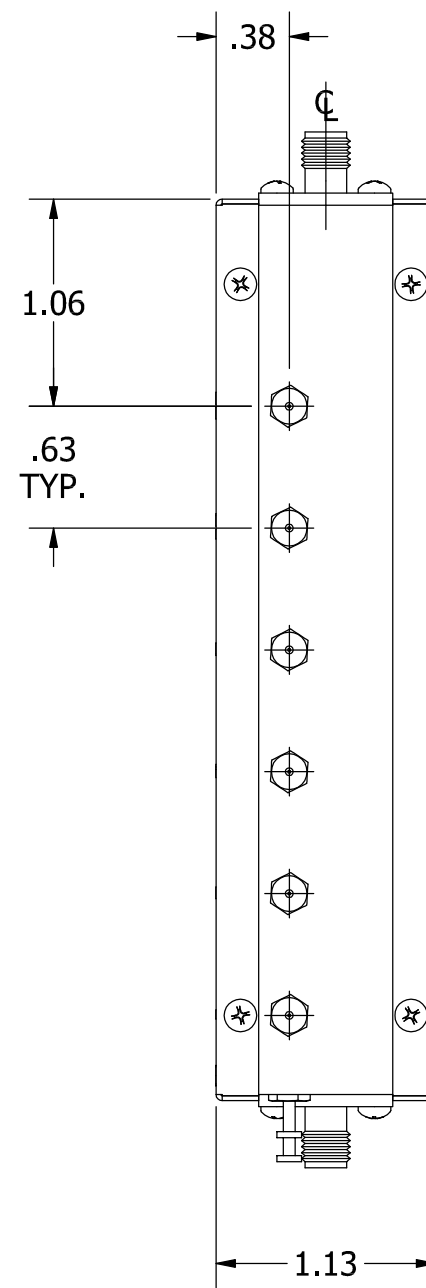
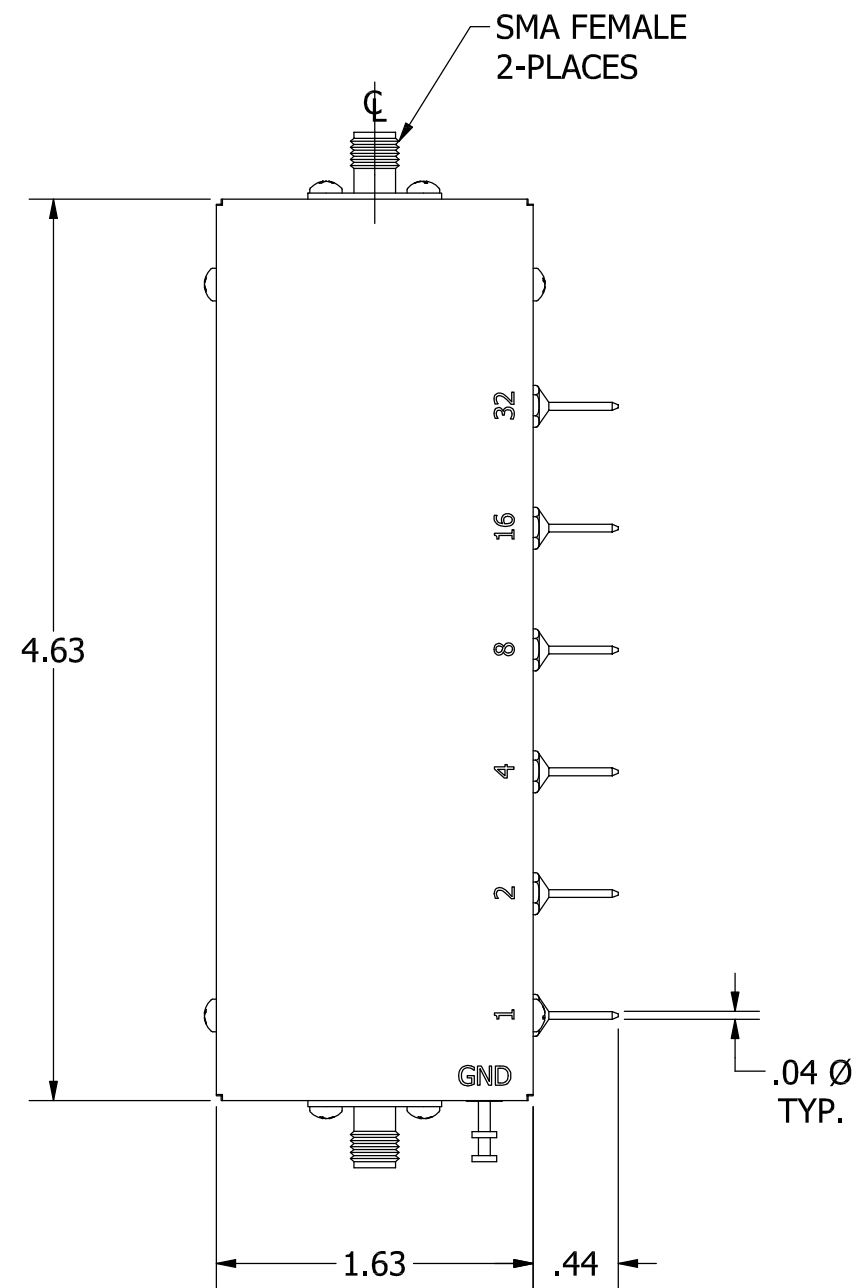


**SPECIFICATION SHEET**  
**JFW MODEL 50P-1978**  
**RELAY PROGRAMMABLE ATTENUATOR**

JFW Industries, Inc.  
 Phone: 317-887-1340  
 sales@jfwindustries.com  
 www.jfwindustries.com

Frequency Range	DC-2700 MHz
Impedance	50 Ohms nominal
Attenuation Range	0-63 dB in 1 dB steps
Attenuation Steps	1, 2, 4, 8, 16, and 32 dB
VSWR	1.5:1 maximum 1.4:1 typical
Attenuation Accuracy	± 0.5 dB or 2% (nominal) ± 0.75 dB or 2% (maximum) (whichever is greater) (guaranteed monotonic)
Insertion Loss	4.0 dB maximum 1.0 dB typical @ 500 MHz 1.7 dB typical @ 1000 MHz 3.0 dB typical @ 2000 MHz 3.4 dB typical @ 2700 MHz
RF Input Power	2 Watts average
Switching Speed	6 milliseconds maximum
Control	+12 Vdc at 15 mA (1, 2, 4, 8, 16dB) +12 Vdc at 60 mA (32dB)
RF Connector	SMA female
Operating Temperature Range	-20°C to +85°C
Physical Size	See outline drawing 092-2614

ECR/ECN #	DATE	REV	APPR / DATE	ECR/ECN #	DATE	REV	APPR / DATE
	04/18/2014		BAC 04/18/2014				
24188	06/03/2014	A	CLK 06/03/2014				



REV	ECN	DATE	BY	APPR
-	ISSUED	5-21-97	CDJ	FDW
A	6652	3-9-01	CMB	TEZ
B	19749	2-25-11	TEZ	TEZ
C	24444	10-20-15	JZ	TEZ



**JFW INDUSTRIES, INC.**

[www.jfwindustries.com](http://www.jfwindustries.com)

PH: 317-887-1340

MATERIAL	BRASS	PROPRIETARY INFORMATION
FINISH	NICKEL	ALL SURFACES ARE TO BE FREE OF BURRS, PITS & SCRATCHES
MODEL	50P-XXXX	TOLERANCES .XX±.010 .XXX±.005 XX°±.5°
DESCRIPTION	PROGRAMMABLE ATTENUATOR	DWG # 092-2614
SCALE	FULL	