

SPECIFICATION SHEET

JFW MODEL 50P-2013

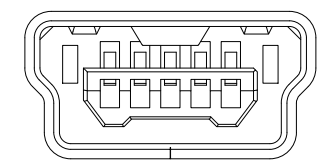
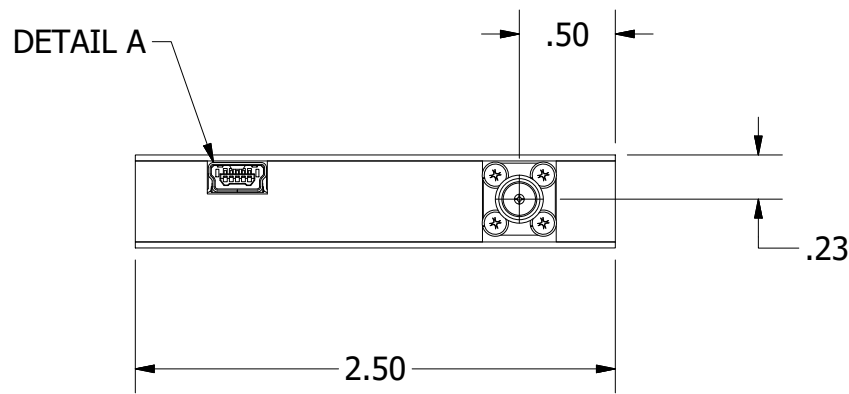
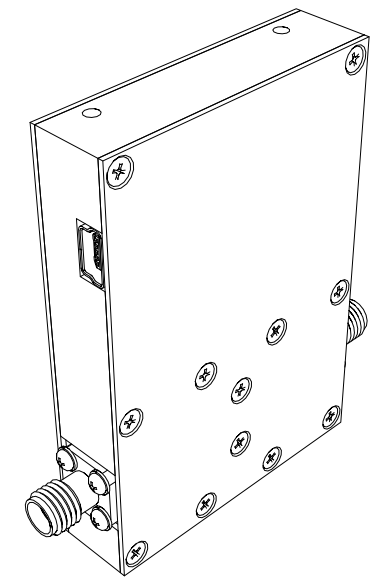
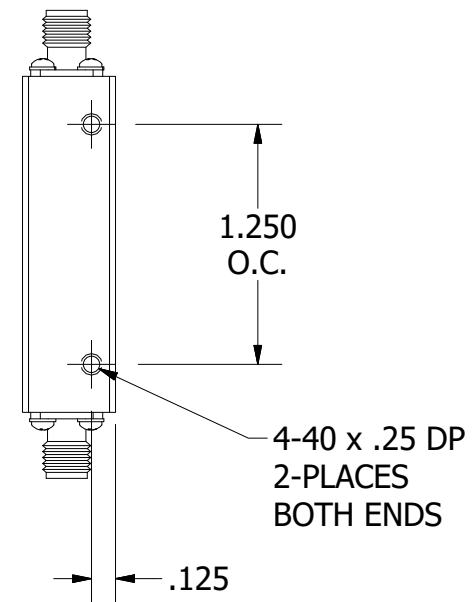
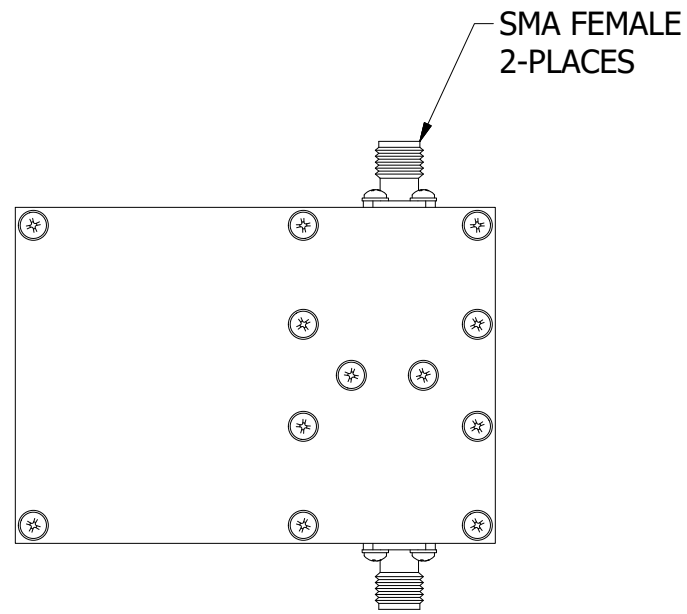
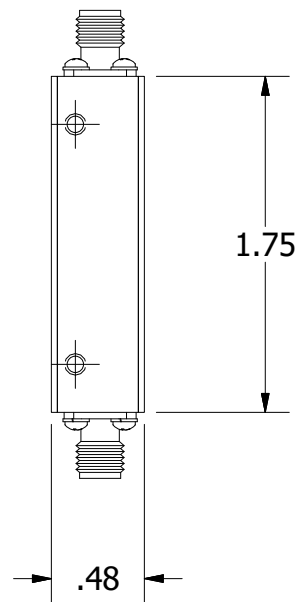
SOLID STATE PROGRAMMABLE ATTENUATOR

JFW Industries, Inc.
Phone: 317-887-1340
sales@jfwindustries.com
www.jfwindustries.com

Frequency Range	200-6000 MHz
Impedance	50 Ohms nominal
Attenuation Range	0-63 dB in 1 dB steps
Attenuation Steps	1, 2, 4, 8, 16 and 32 dB
VSWR	1.8:1 maximum 200-800 MHz 1.5:1 maximum 800-6000 MHz
Attenuation Accuracy (guaranteed monotonic)	± 0.50 dB 1-7 dB ± 1.00 dB 8-11 dB ± 1.25 or 4% 12-63 dB (whichever is greater)
Insertion Loss	5.9 dB maximum 2.6 dB typical @ 200 MHz 2.8 dB typical @ 700 MHz 3.4 dB typical @ 2000 MHz 5.5 dB typical @ 6000 MHz
RF Input Power*	+27 dBm (operating) +33 dBm (no damage)
Switching Speed	3 microseconds maximum 0.7 microseconds typical
DC Supply	+5Vdc @ 50mA nominal
Control	USB control
Test Software (Microsoft .NET 4.0+) (Windows Vista or greater)	The included JFW software allows control of multiple USB devices. JFW managed library available for development in user made applications.
DC Connector	USB MINI-B 6' USB A to USB Mini-B Cable Included
RF Connector	SMA
Operating Temperature Range	-40°C to +85°C
Physical Size	See outline drawing 092-8061

* Units shipped before 8/9/2018 (date code 1832) are only rated at +20dBm maximum. The JFW date code is a four digit code (YYWW) that follows the six digit serial number. For example date code 1908 is the 8th week of 2019.

ECR/ECN #	DATE	REV	APPR / DATE	ECR/ECN #	DATE	REV	APPR / DATE
	08/22/2014		CLK 08/22/2014	28940	08/09/2018	C	TRS 08/09/2018
25003	02/26/2015	A	CLK 02/26/2015	29857	10/02/2019	D	TRS 10/02/2019
26296	02/12/2016	B	CLK 02/12/2016				



1 2 3 4 5
DETAIL A
USB MINI-B

PIN	Column 2
1	+5 Vdc
2	D -
3	D+
4	NO CONNECTION
5	GROUND

REV	ECN	DATE	BY	APPR
-	ISSUED	8-22-14	BZ	TEZ
A	24444	8-1-18	JZ	TEZ



JFW INDUSTRIES, INC.

www.jfwindustries.com

PH: 317-887-1340

MATERIAL	ALUMINUM ALLOY	PROPRIETARY INFORMATION
FINISH	ELECTROLESS NICKEL	ALL SURFACES ARE TO BE FREE OF BURRS, PITS & SCRATCHES
MODEL	50P-XXXX	TOLERANCES .XX±.010 .XXX±.005 XX*±.5°
DESCRIPTION	PROGRAMMABLE ATTENUATOR	DWG # 092-8061