

SPECIFICATION SHEET

JFW MODEL 50P-2014

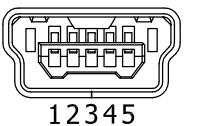
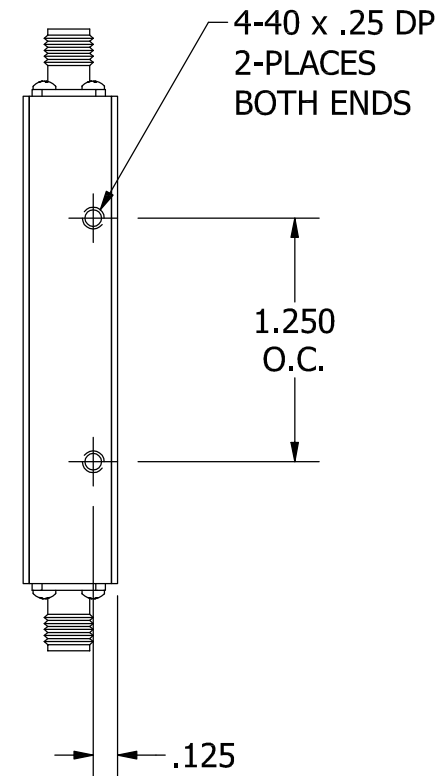
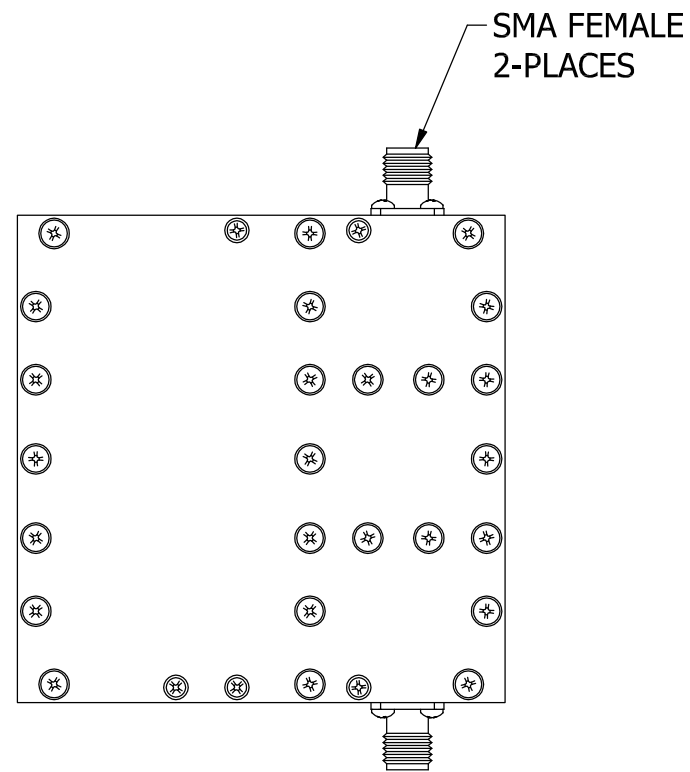
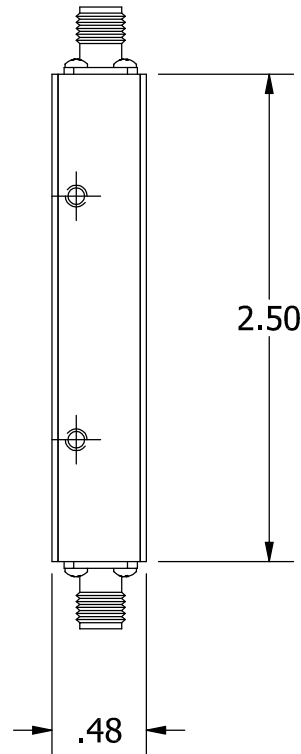
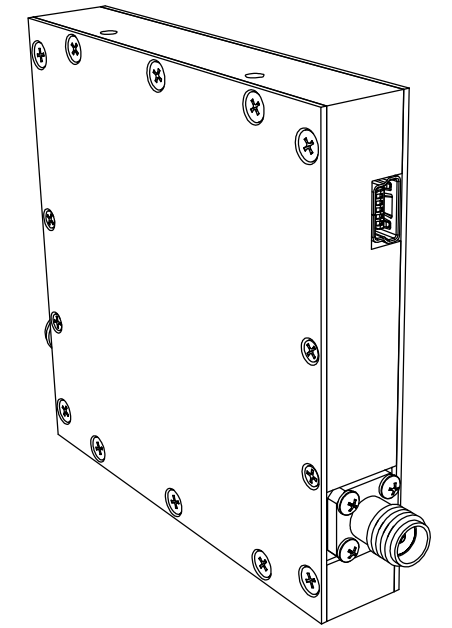
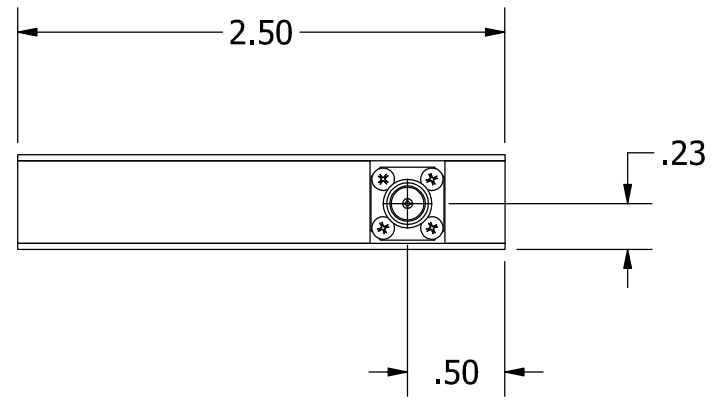
SOLID STATE PROGRAMMABLE ATTENUATOR

JFW Industries, Inc.
Phone: 317-887-1340
sales@jfwindustries.com
www.jfwindustries.com

Frequency Range	200-6000 MHz
Impedance	50 Ohms nominal
Attenuation Range	0-95 dB in 1 dB steps
Attenuation Steps	1, 2, 4, 8, 16, 32 and 32 dB
VSWR	2.0:1 maximum
Attenuation Accuracy (guaranteed monotonic)	± 0.50 dB 1-7 dB ± 1.00 dB 8-11 dB ± 1.25 or 4% 12-95 dB (whichever is greater)
Insertion Loss	8.3 dB maximum 3.3 dB typical @ 200 MHz 3.5 dB typical @ 500 MHz 3.6 dB typical @ 700 MHz 4.4 dB typical @ 2000 MHz 7.9 dB typical @ 6000 MHz
RF Input Power*	+27 dBm (operating) +33 dBm (no damage)
Switching Speed	4 microseconds maximum 0.7 microseconds typical
DC Supply	+5Vdc @ 2mA nominal
Control	USB control
Test Software (Microsoft .NET 4.0+) (Windows Vista or greater)	The included JFW software allows control of multiple USB devices. JFW managed library available for development in user made applications.
DC Connector	USB MINI-B 6' USB A to USB Mini-B Cable Included
RF Connector	SMA female
Operating Temperature Range	-40°C to +85°C
Physical Size	See outline drawings 092-8062

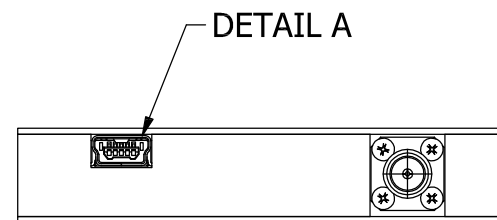
* Units shipped before 10/5/2017 (date code 1740) are only rated at +20dBm maximum. The JFW date code is a four digit code (YYWW) that follows the six digit serial number. For example date code 1908 is the 8th week of 2019.

ECR/ECN #	DATE	REV	APPR / DATE	ECR/ECN #	DATE	REV	APPR / DATE
	08/22/2014		CLK 08/22/2014	28156	10/05/2017	C	CLK 10/05/2017
25004	02/26/2015	A	CLK 02/26/2015	28504	02/13/2018	D	TRS 02/13/2018
26294	02/11/2016	B	CLK 02/11/2016	29857	10/02/2019	E	TRS 10/02/2019



12345
DETAIL A
USB MINI-B

PIN	FUNCTION
1	+5Vdc
2	D-
3	D+
4	NO CONNECTION
5	GROUND



REV	ECN	DATE	BY	APPR
-	ISSUED	8-22-14	BZ	TEZ
A	24444	10-12-15	JZ	TEZ

JFW INDUSTRIES, INC.

www.jfwindustries.com PH: 317-887-1340

MATERIAL	ALUMINUM ALLOY	PROPRIETARY INFORMATION
FINISH	ELECTROLESS NICKEL	ALL SURFACES ARE TO BE FREE OF BURRS, PITS & SCRATCHES
MODEL	50P-XXXX	TOLERANCES .XX±.010 .XXX±.005 XX°±.5°
DESCRIPTION	PROGRAMMABLE ATTENUATOR	DWG # 092-8062