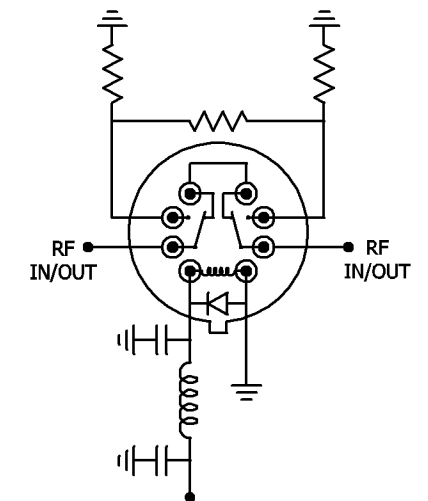
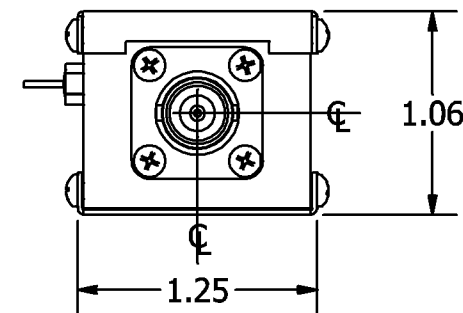
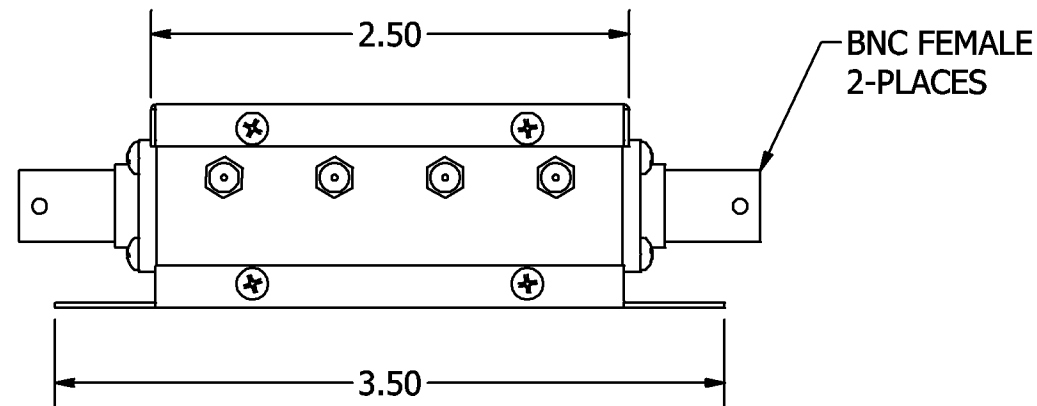
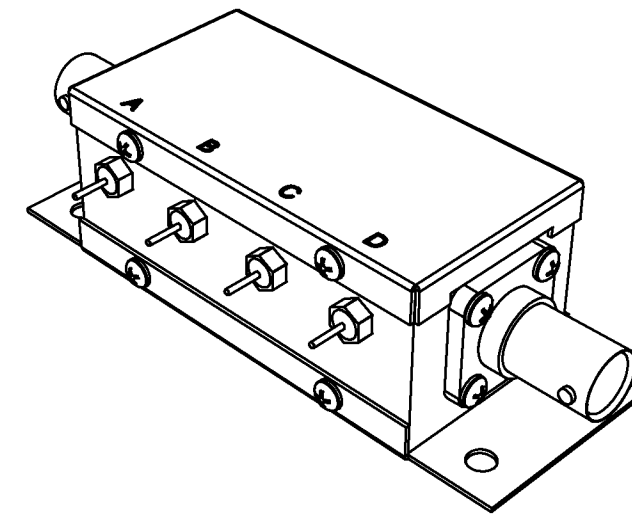
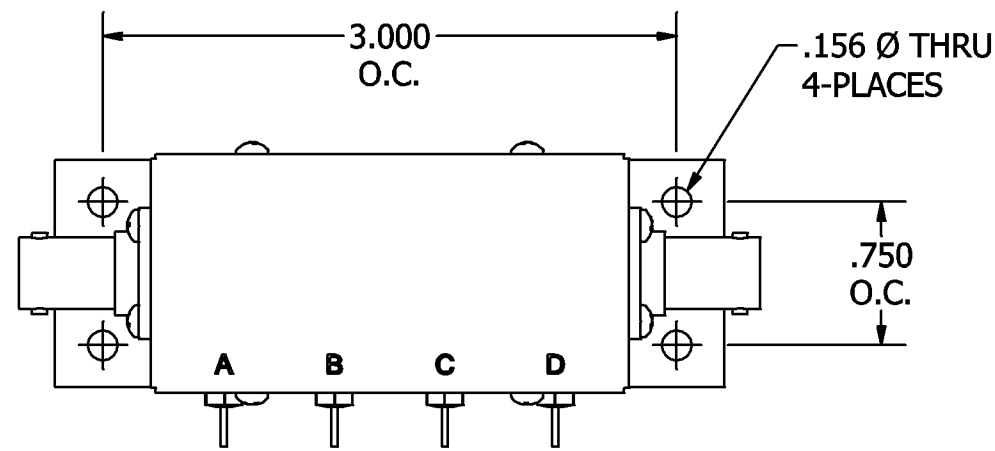


**SPECIFICATION SHEET**  
**JFW MODEL 50P-542**  
**RELAY PROGRAMMABLE ATTENUATOR**

JFW Industries, Inc.  
 Phone: 317-887-1340  
 sales@jfwindustries.com  
 www.jfwindustries.com

|                             |  |
|-----------------------------|--|
| Frequency Range             | DC-2800 MHz  |
| Impedance                   | 50 Ohms nominal  |
| Attenuation Range           | 0-10 dB in 1 dB steps  |
| Attenuation Steps           | 1, 2, 3, and 4 dB  |
| VSWR                        | 1.3:1 maximum DC-1000 MHz<br>1.5:1 maximum 1000-2800 MHz       |
| Attenuation Accuracy        | ± 0.3 dB maximum DC-1000 MHz<br>± 0.5 dB maximum 1000-2800 MHz |
| Insertion Loss              | 3 dB maximum   |
| RF Input Power              | 2 Watts average  |
| Switching Speed             | 6 milliseconds   |
| Control                     | +12 Vdc @ 30 mA per relay                                      |
| DC Connector                | .040 Diameter solder terminals                                 |
| RF Connector                | SMA, N, TNC, or BNC female                                     |
| Operating Temperature Range | -20°C to +85°C   |
| Physical Size               | See outline drawing 092-745                                    |

| ECR/ECN # | DATE       | REV | APPR / DATE    | ECR/ECN # | DATE | REV | APPR / DATE |
|-----------|------------|-----|----------------|-----------|------|-----|-------------|
| 9999      | 10/04/2002 | A   | TRS 10/24/2002 |           |      |     |             |
| 14364     | 07/06/2007 | B   | TRS 07/06/2007 |           |      |     |             |



CONTROL  
TYPICAL SECTION  
(EXCEPT 75P-116)

| MODEL#   | A    | B    | C    | D    |
|----------|------|------|------|------|
| 50P-033  | 1dB  | 2dB  | 3dB  | 4dB  |
| 50P-034  | 10dB | 20dB | 30dB | 40dB |
| 50P-299  | 10dB | 20dB | 30dB | 40dB |
| 50P-543  | 10dB | 20dB | 30dB | 30dB |
| 50P-951  | .1dB | .2dB | .4dB | .8dB |
| 50P-1092 | 10dB | 20dB | 30dB | 40dB |
| 50P-1107 | 10dB | 20dB | 20dB | 20dB |
| 50P-1305 | .5dB | 1dB  | 2dB  | 4dB  |
| 50P-1503 | 5dB  | 10dB | 20dB | 40dB |
| 75P-109  | .1dB | .2dB | .4dB | .8dB |
| 75P-116  | 1dB  | 2dB  | 4dB  | 8dB  |
| 75P-118  | 1dB  | 2dB  | 4dB  | 8dB  |

| REV | ECN    | DATE     | BY  | APPR | REV | ECN   | DATE     | BY  | APPR |
|-----|--------|----------|-----|------|-----|-------|----------|-----|------|
| -   | ISSUED | 5-29-86  | PT  | FDW  | P   | 7023  | 3-5-02   | CMB | TEZ  |
| A   | 3803   | 11-10-92 | TEZ | FDW  | Q   | 7030  | 3-7-02   | MAH | TEZ  |
| B   | 4064   | 9-29-93  | TEZ | FDW  | R   | 7594  | 10-31-03 | BZ  | TEZ  |
| C   | 4436   | 11-28-94 | TEZ | FDW  | S   | 24444 | 10-13-15 | JZ  | TEZ  |
| D   | 4582   | 3-2-95   | CDJ | FDW  | T   | 27900 | 05-31-17 | CDC | TEZ  |
| E   | 4635   | 4-13-95  | CDJ | FDW  |     |       |          |     |      |
| F   | 4689   | 6-8-95   | CDJ | FDW  |     |       |          |     |      |
| G   | 5197   | 2-13-97  | CDJ | FDW  |     |       |          |     |      |
| H   | 5216   | 3-7-97   | CDJ | FDW  |     |       |          |     |      |
| J   | 5867   | 11-24-98 | PT  | FDW  |     |       |          |     |      |
| K   | 6027   | 6-9-99   | TEZ | FDW  |     |       |          |     |      |
| L   | 6085   | 8-16-99  | TEZ | FDW  |     |       |          |     |      |
| M   | 6735   | 5-31-01  | CMB | TEZ  |     |       |          |     |      |
| N   | 6989   | 1-24-02  | CMB | TEZ  |     |       |          |     |      |



**JFW INDUSTRIES, INC.**

www.jfwindustries.com PH: 317-887-1340

|             |                         |  |
|-------------|-------------------------|--|
| MATERIAL    | BRASS                   | PROPRIETARY INFORMATION                                |
| FINISH      | NICKEL                  | ALL SURFACES ARE TO BE FREE OF BURRS, PITS & SCRATCHES |
| MODEL       | 50P-XXX & 75P-XXX       | TOLERANCES<br>.XX±.010 .XXX±.005 XX°±.5°               |
| DESCRIPTION | PROGRAMMABLE ATTENUATOR | DWG #  |
|             |                         | 092-745  |