

SPECIFICATION SHEET

JFW MODEL 50PD-293

4 WAY RESISTIVE POWER DIVIDER

JFW Industries, Inc.
Phone: 317-887-1340
sales@jfwindustries.com
www.jfwindustries.com

Frequency Range DC-4000 MHz

Impedance 50 Ohms nominal

VSWR 1.5:1 maximum

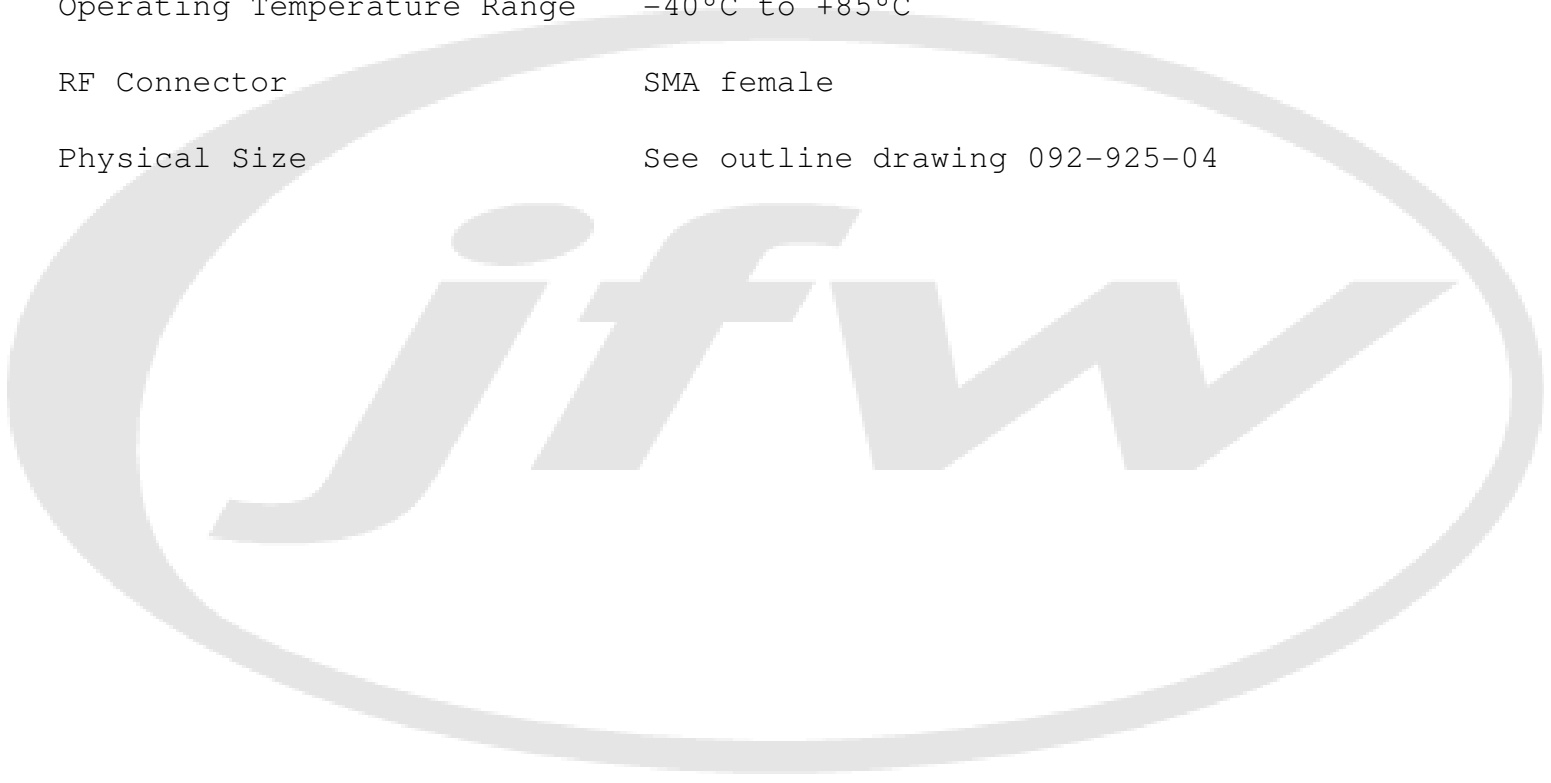
Insertion Loss 12 dB ± 0.75 dB

RF Input Power 2 Watts average @ 25°C
100 Watts peak

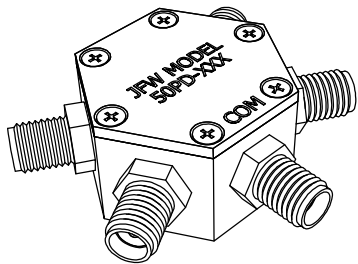
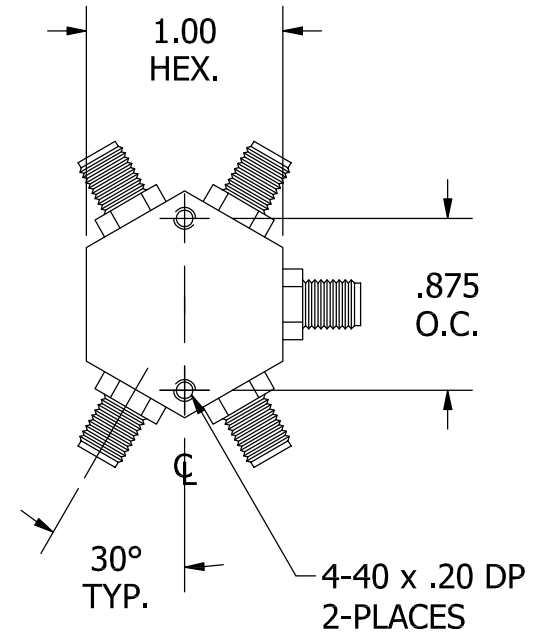
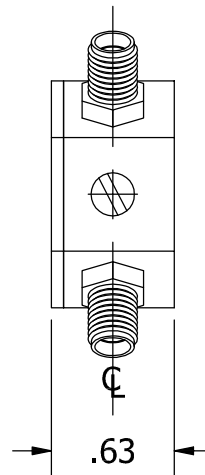
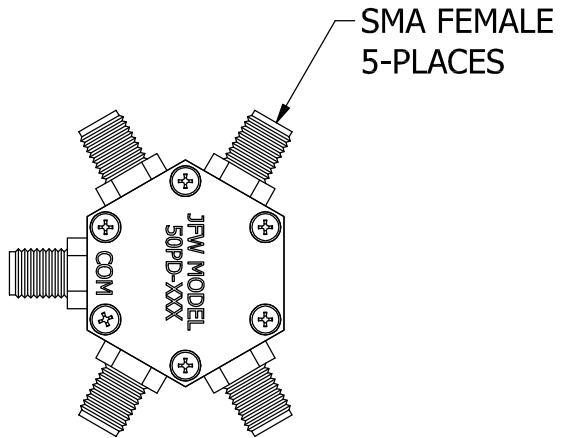
Operating Temperature Range -40°C to +85°C

RF Connector SMA female

Physical Size See outline drawing 092-925-04



ECR/ECN #	DATE	REV	APPR / DATE	ECR/ECN #	DATE	REV	APPR / DATE
	09/08/1999			30297	03/24/2020	C	TRS 03/24/2020
9999	12/16/2002	A	SL 12/16/2002				
18882	07/15/2010	B	TRS 07/15/2010				



REV	ECN	DATE	BY	APPR
-	ISSUED	7-15-10	JZ	TRS
A	24444	9-25-15	JZ	TEZ



JFW INDUSTRIES, INC.

www.jfwindustries.com

PH: 317-887-1340

MATERIAL	ALUMINUM ALLOY	PROPRIETARY INFORMATION
FINISH	CHEMFILM TCP	ALL SURFACES ARE TO BE FREE OF BURRS, PITS & SCRATCHES
MODEL	50PD-XXX	TOLERANCES .XX±.010 .XXX±.005 XX°±.5°
DESCRIPTION	4 WAY POWER DIVIDER / COMBINER (5 TOTAL PORTS)	DWG # 092-925-04