

**SPECIFICATION SHEET**

**JFW MODEL 50PD-377**

**2 WAY RESISTIVE POWER DIVIDER/COMBINER**

JFW Industries, Inc.  
Phone: 317-887-1340  
sales@jfwindustries.com  
www.jfwindustries.com

Frequency Range DC-500 MHz

Impedance 50 Ohms nominal

VSWR 1.2:1 maximum DC-250 MHz  
1.3:1 maximum 250-500 MHz

Insertion Loss 6 dB  $\pm$  0.5 dB

Amplitude Tracking  $\pm$  0.2 dB

RF Input Power at +25°C\* 200 Watts average (divider port)  
100 Watts average (combiner ports)

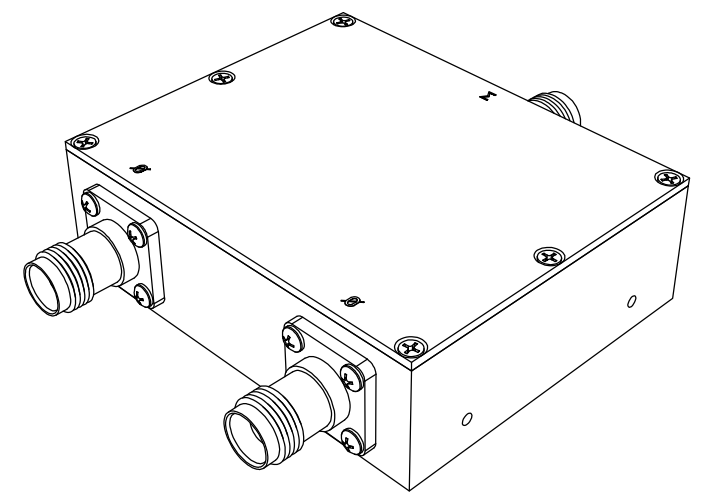
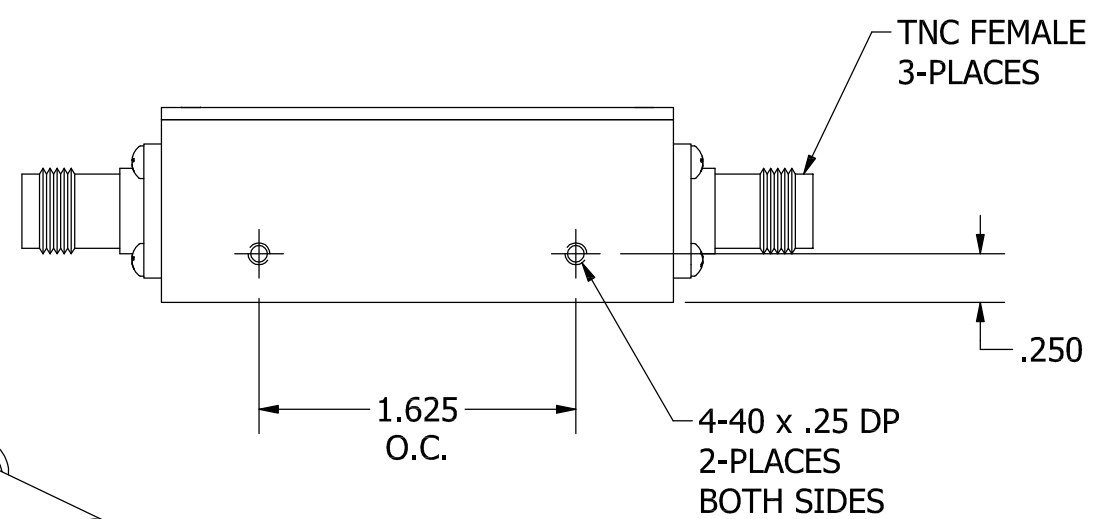
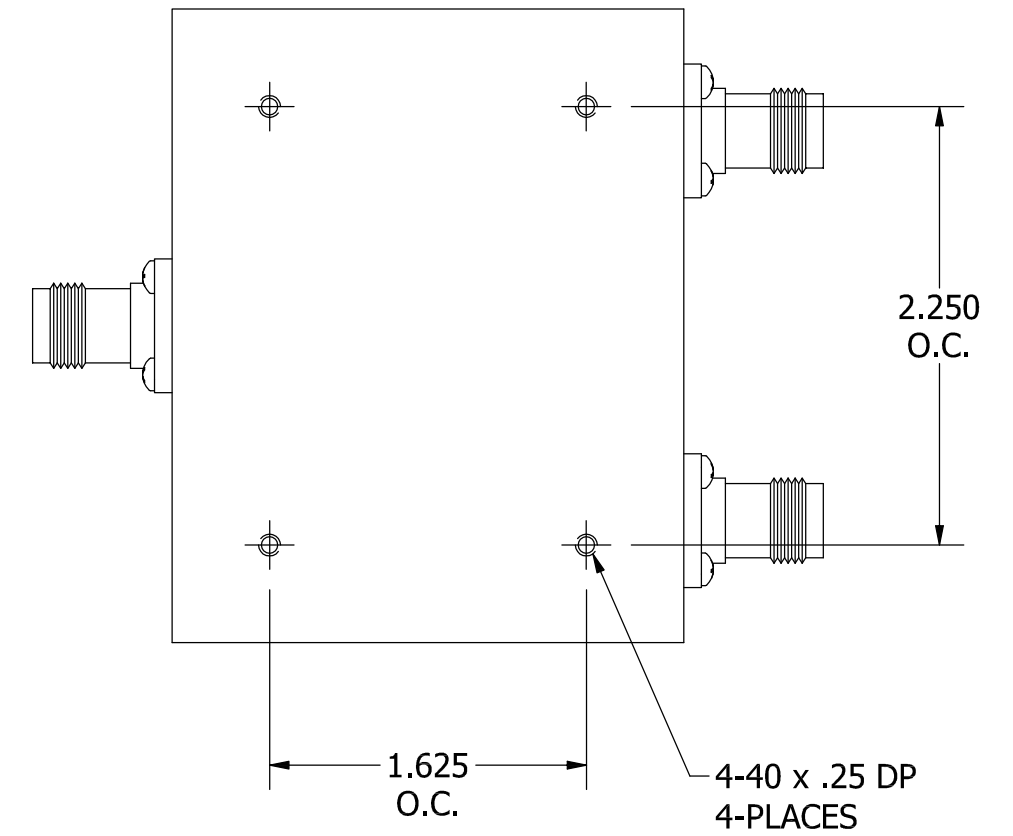
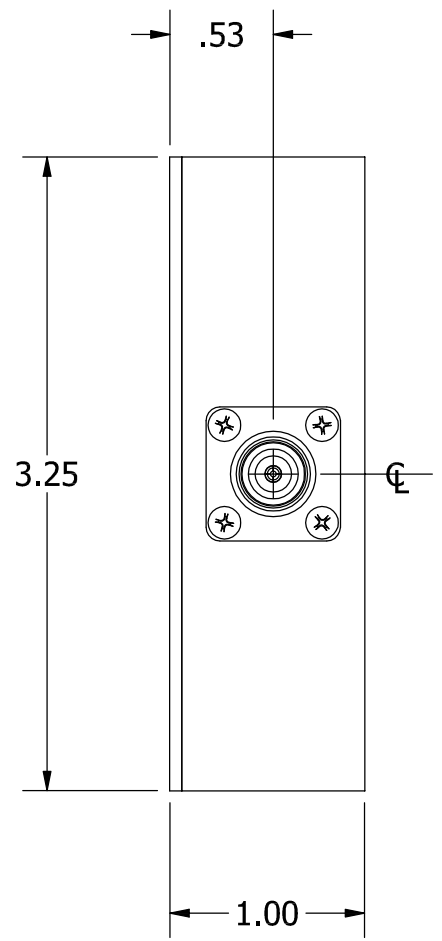
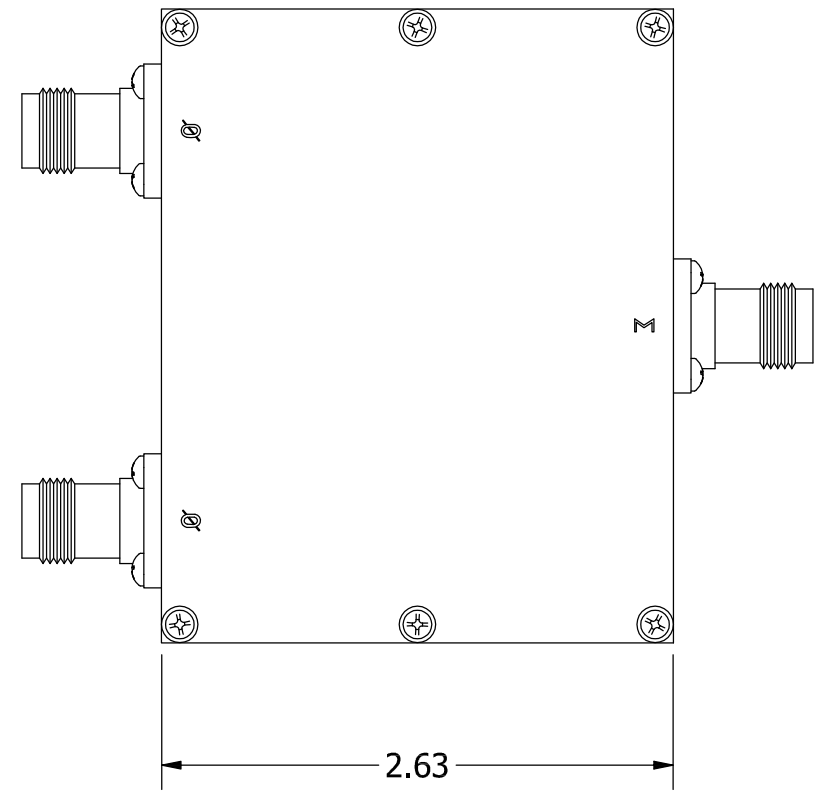
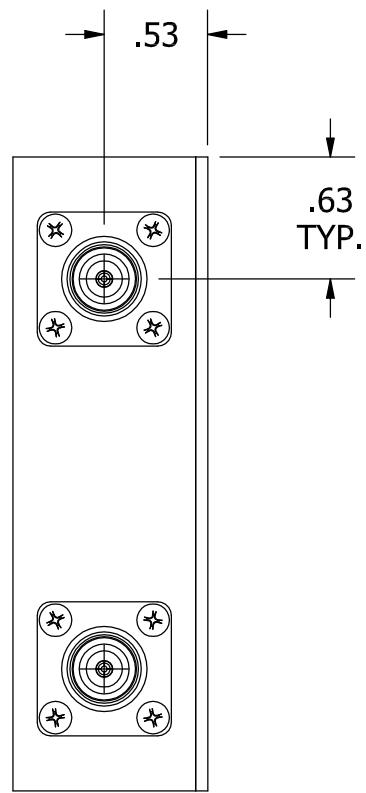
Operating Temperature Range -40°C to +85°C

RF Connector N, SMA, BNC or TNC female

Physical Size See outline drawing 092-2822 (N)

\* Unit must be mounted to ensure that case temperature does not exceed +85°C.

ECR/ECN #	DATE	REV	APPR / DATE	ECR/ECN #	DATE	REV	APPR / DATE
	01/30/2001						
9999	12/19/2002	A	SL 01/03/2003				
23172	08/20/2013	B	TRS 08/20/2013				



REV	ECN	DATE	BY	APPR			
-	ISSUED	6-16-98	CDJ	TEZ			
A	6340	7-21-00	CMB	TEZ			
B	12635	4-20-06	ETW	TEZ			
C	13021	7-17-06	BZ	TEZ			
D	16755	1-23-09	BZ	TRS			
E	24444	9-28-15	JZ	TEZ			
					MATERIAL	ALUMINUM ALLOY	PROPRIETARY INFORMATION
					FINISH	CHEMFILM TCP	ALL SURFACES ARE TO BE FREE OF BURRS, PITS & SCRATCHES
					MODEL	50PD-XXX	TOLERANCES .XX±.010 .XXX±.005 XX°±.5°
					DESCRIPTION	2 WAY POWER DIVIDER / COMBINER (3 TOTAL PORTS)	DWG # 092-2822



**JFW INDUSTRIES, INC.**

www.jfwindustries.com

PH: 317-887-1340