

SPECIFICATION SHEET

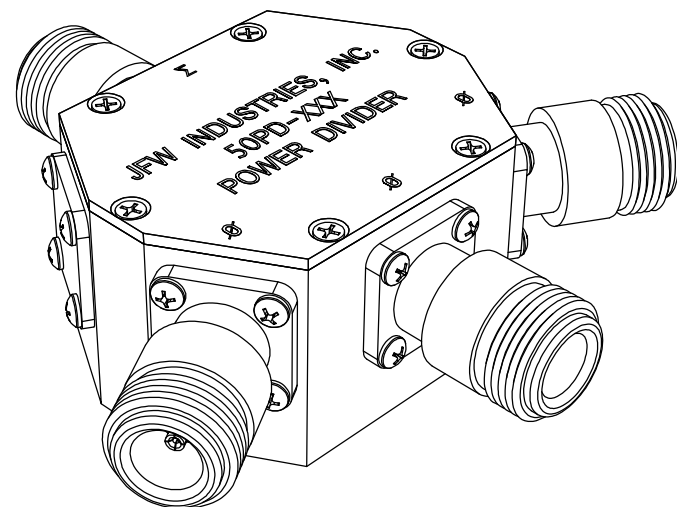
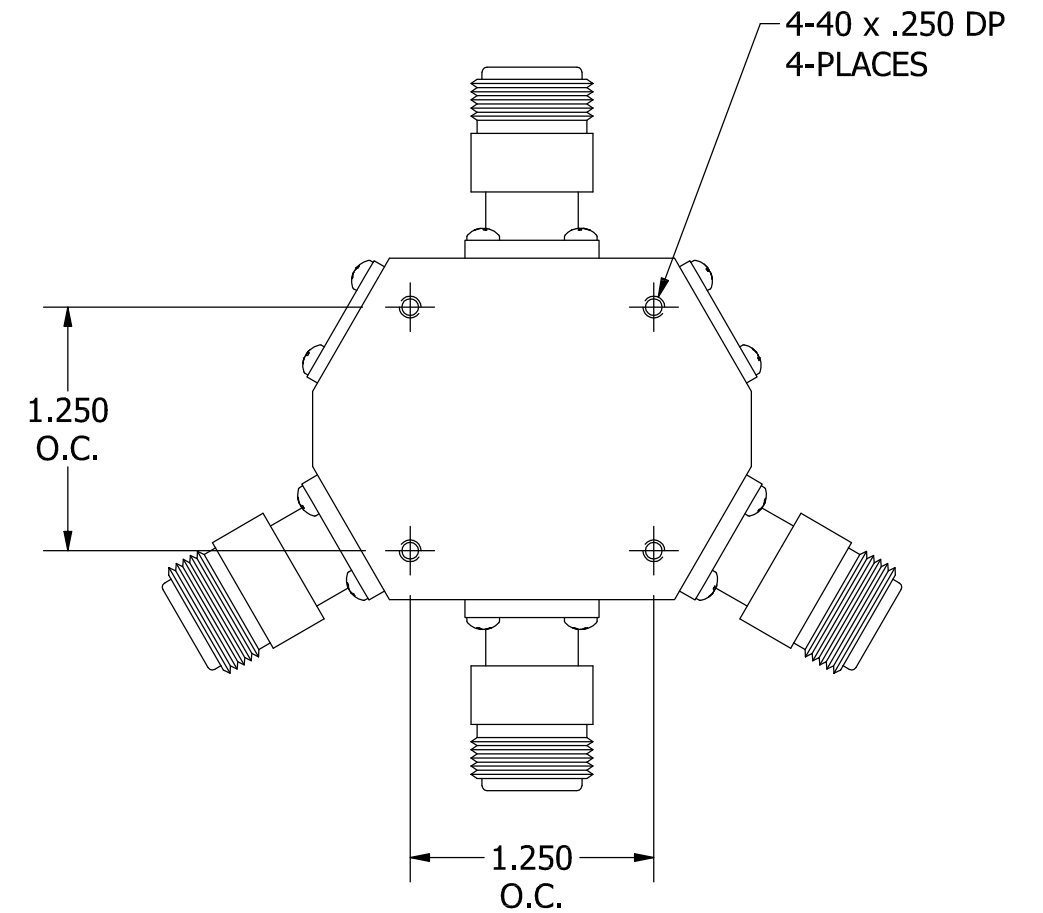
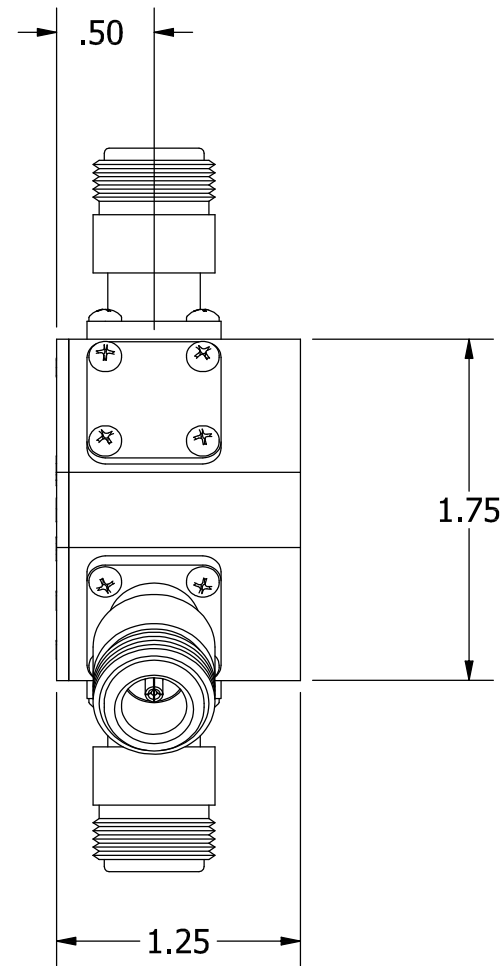
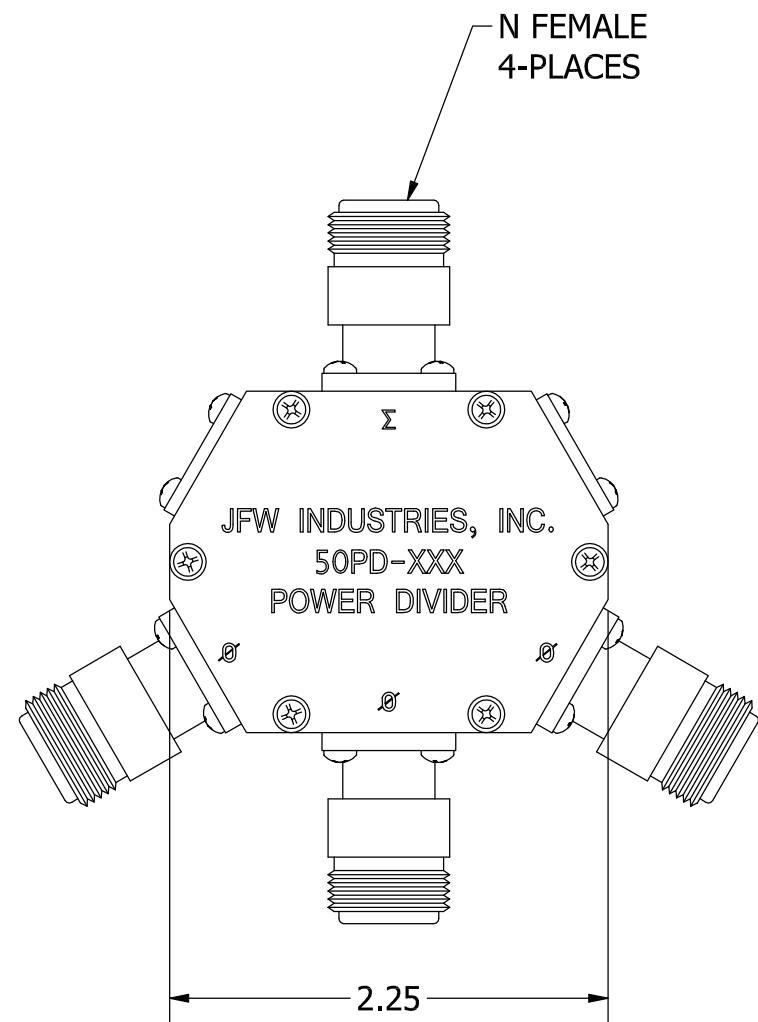
JFW MODEL 50PD-667

3 WAY RESISTIVE POWER DIVIDER/COMBINER

JFW Industries, Inc.
Phone: 317-887-1340
sales@jfwindustries.com
www.jfwindustries.com

Frequency Range	DC-3000 MHz
Impedance	50 Ohms nominal
VSWR	1.3:1 maximum DC-1000 MHz 1.4:1 maximum 1000-2000 MHz 1.5:1 maximum 2000-3000 MHz
Insertion Loss	9.5 dB \pm 0.5 dB DC-1000 MHz 9.5 dB \pm 0.75 dB 1000-2000 MHz 9.5 dB \pm 1.0 dB 2000-3000 MHz
Amplitude Tracking	\pm 0.5 dB DC-1000 MHz \pm 0.75 dB 1000-3000 MHz
RF Input Power	30 Watts average (divider port) 10 Watts average (combiner ports)
RF Connector	N, SMA, TNC, or BNC female
Physical Size	See outline drawing 092-5693

ECR/ECN #	DATE	REV	APPR / DATE	ECR/ECN #	DATE	REV	APPR / DATE
	08/07/2008		TRS 08/07/2008				



REV	ECN	DATE	BY	APPR
-	ISSUED	1-23-08	TEZ	TRS
A	24444	9-28-15	JZ	TEZ



JFW INDUSTRIES, INC.

www.jfwindustries.com

PH: 317-887-1340

MATERIAL	ALUMINUM ALLOY	PROPRIETARY INFORMATION
FINISH	ELECTROLESS NICKEL	ALL SURFACES ARE TO BE FREE OF BURRS, PITS & SCRATCHES
MODEL	50PD-XXX	TOLERANCES .XX±.010 .XXX±.005 XX°±.5°
DESCRIPTION	3 WAY POWER DIVIDER / COMBINER (4 TOTAL PORTS)	DWG # 092-5693