

**SPECIFICATION SHEET**

**JFW MODEL 50PD-700**

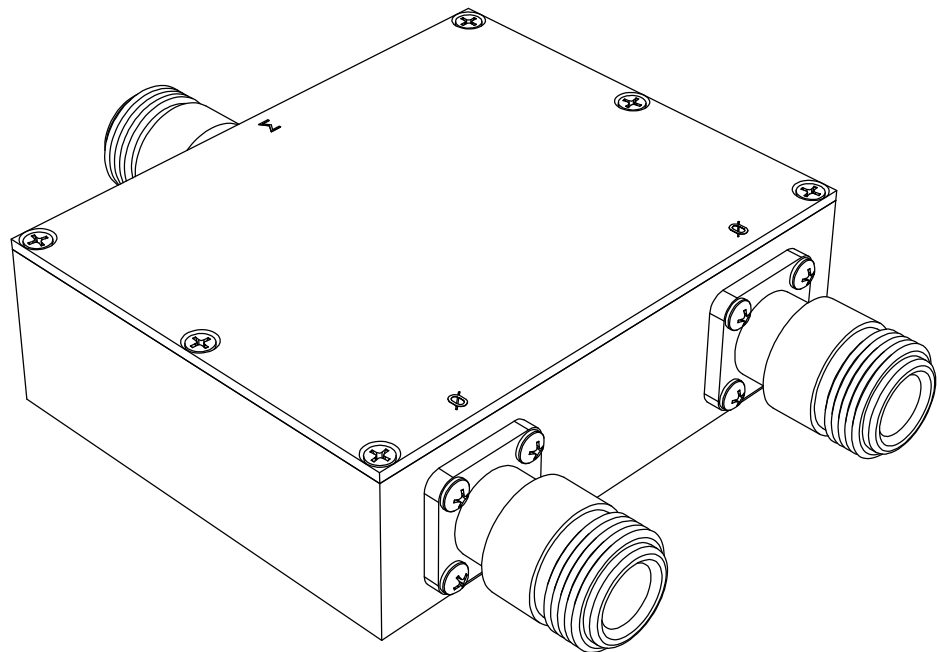
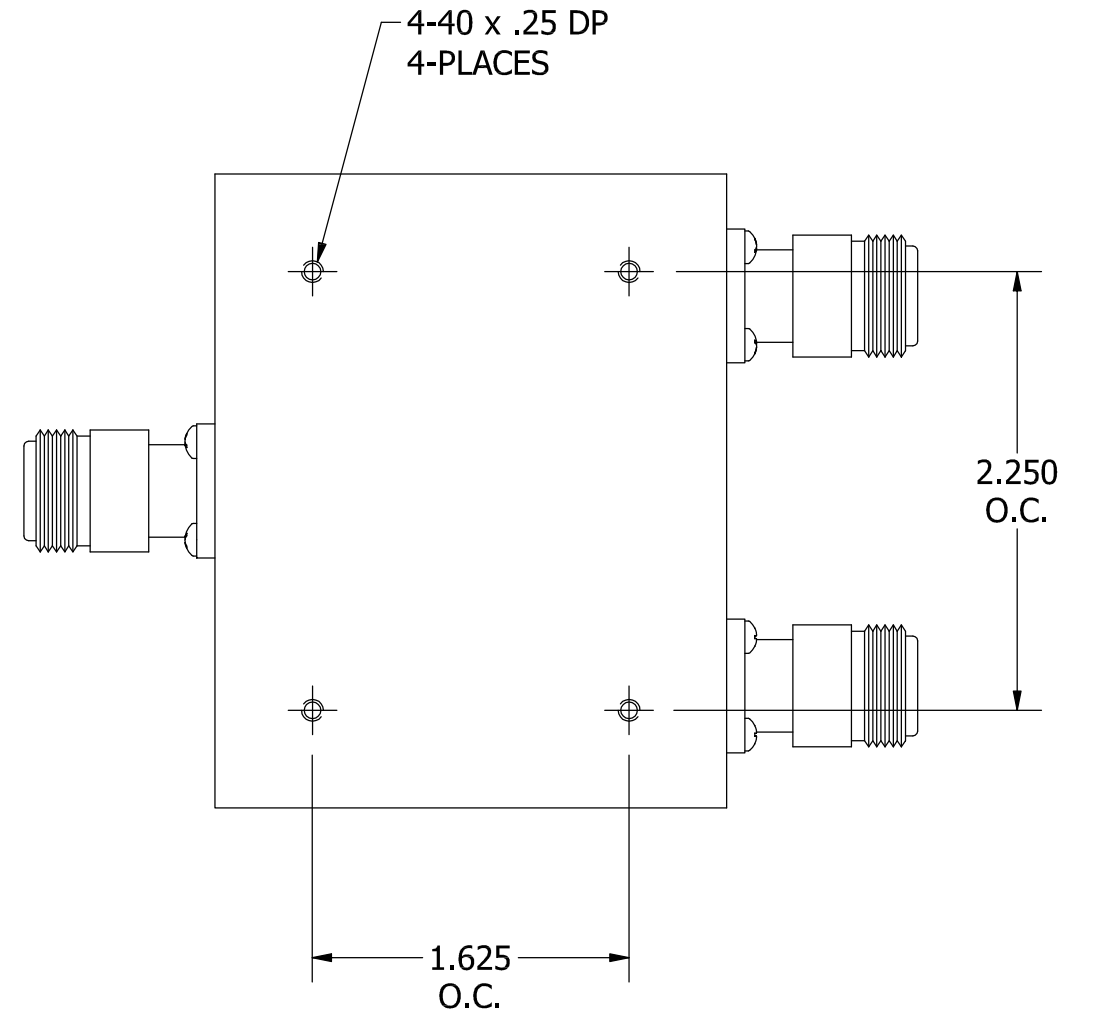
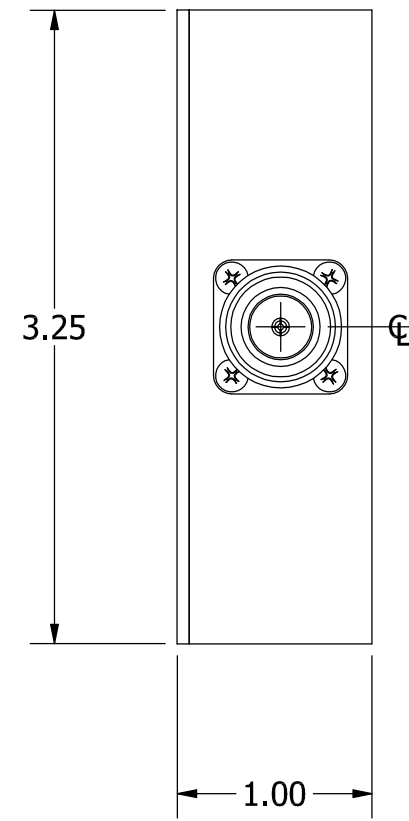
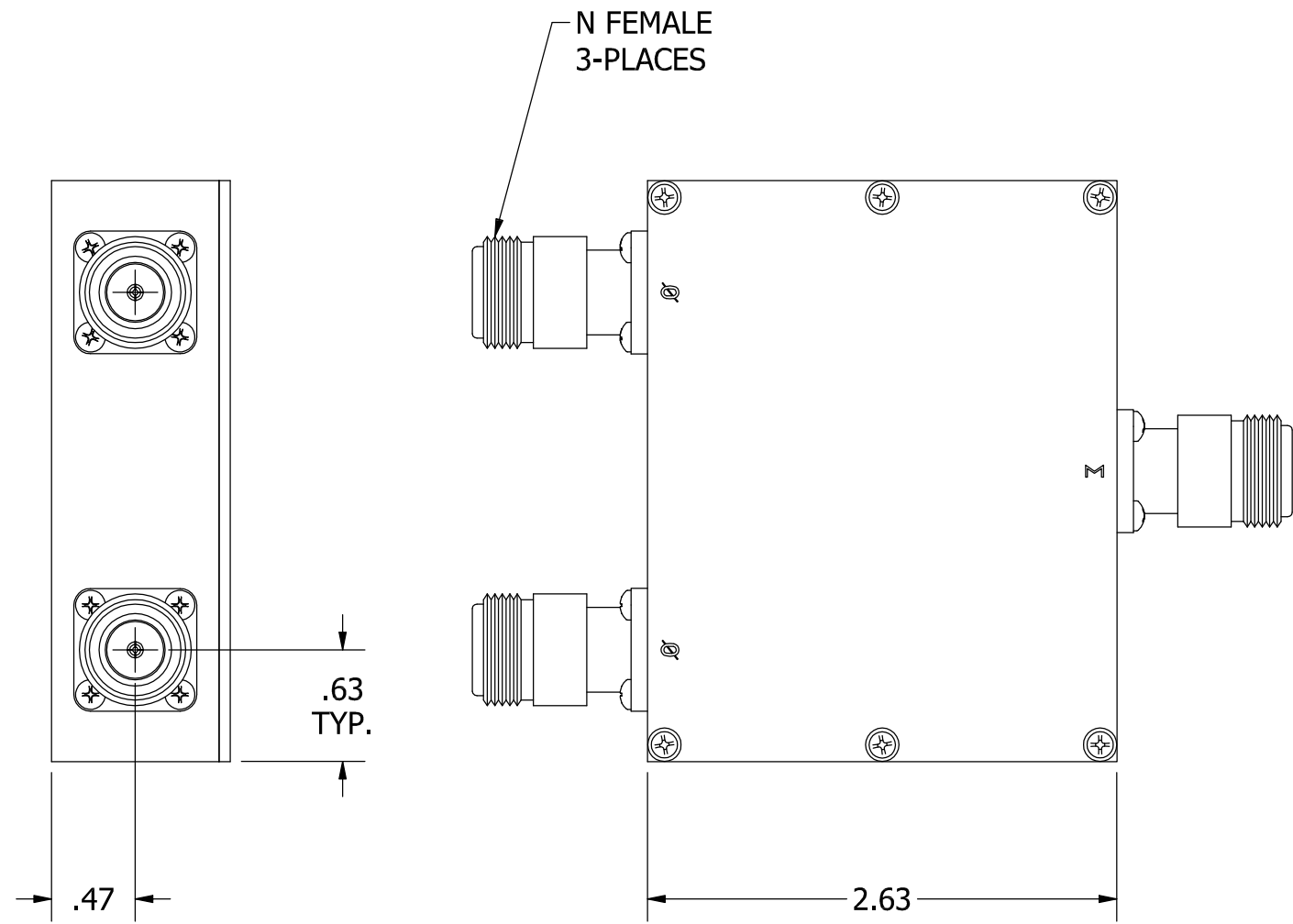
**2 WAY REACTIVE POWER DIVIDER/COMBINER**

JFW Industries, Inc.  
Phone: 317-887-1340  
sales@jfwindustries.com  
www.jfwindustries.com


Frequency Range	380-400 MHz
Impedance	50 Ohms nominal
VSWR	1.20:1 maximum 1.12:1 typical
Insertion Loss (above 3 dB split)	0.3 dB maximum 0.1 dB typical
Amplitude Tracking	± 0.10 dB maximum ± 0.03 dB typical
Phase Tracking	± 1.0° maximum ± 0.3° typical
Isolation	20 dB minimum > 22 dB typical
RF Input Power*	200 Watts average (divider) 70 Watts average per port (combiner)
Operating Temperature Range	-40°C to +100°C
RF Connector	N or SMA female
Physical Size	See outline drawing 092-2502

\* If combining two signals that are both greater than 25 Watts average, an external heatsink may be required to keep the case temperature under 100°C.

ECR/ECN #	DATE	REV	APPR / DATE	ECR/ECN #	DATE	REV	APPR / DATE
	06/04/2009		TRS 06/04/2009				
19549	12/28/2010	A	TRS 12/28/2010				
19681	02/08/2011	B	TRS 02/08/2011				



REV	ECN	DATE	BY	APPR
-	ISSUED	11-7-96	JS	PT
A	5542	1-16-98	BZ	TEZ
B	7043	3-15-02	BZ	TEZ
C	7753	2-23-04	BZ	TEZ
D	12635	4-20-06	ETW	TEZ
E	16755	1-23-09	BZ	TRS
F	24444	10-9-15	JZ	TEZ

 <b>JFW INDUSTRIES, INC.</b> <a href="http://www.jfwindustries.com">www.jfwindustries.com</a> PH: 317-887-1340		MATERIAL		ALUMINUM ALLOY	PROPRIETARY INFORMATION
		FINISH		CHEMFILM TCP	ALL SURFACES ARE TO BE FREE OF BURRS, PITS & SCRATCHES
MODEL		50PD-XXX	SCALE	FULL	TOLERANCES .XX±.010 .XXX±.005 XX°±.5°
DESCRIPTION		2 WAY POWER DIVIDER / COMBINER		DWG # 092-2502	