

SPECIFICATION SHEET
JFW MODEL 50PM-124-XX
PANEL MOUNTED ROTOR

JFW Industries, Inc.
 Phone: 317-887-1340
 sales@jfwindustries.com
 www.jfwindustries.com

Configuration Panel mounted 50DR-001 rotary attenuator(s) on a 19 inch rack mountable panel

Attenuation Range 0-110 dB in 1 dB steps

Frequency Range DC-1000 MHz

Impedance 50 Ohms nominal

VSWR 1.2:1 maximum DC-500 MHz
 1.4:1 maximum 500-1000 MHz

Insertion Loss 0.5 dB maximum

Attenuation Accuracy ± 0.2 dB or 1% DC-500 MHz
 ± 0.3 dB or 2% 500-1000 MHz
 (whichever is greater)

RF Input Power 2 Watts average
 1000 Watts peak

Direction of Rotation Attenuation increases in a Clockwise direction

Indexing 30 degrees with stops at minimum and maximum

RF Connector BNC, SMA, TNC, N, Mini-UHF or RP-TNC female

Operating Temperature Range -20°C to +85°C

Lifetime 500,000 attenuation steps (each knob)

Outline Drawing Numbers 092-8564 (1RU models)
 092-8565 (2RU models)

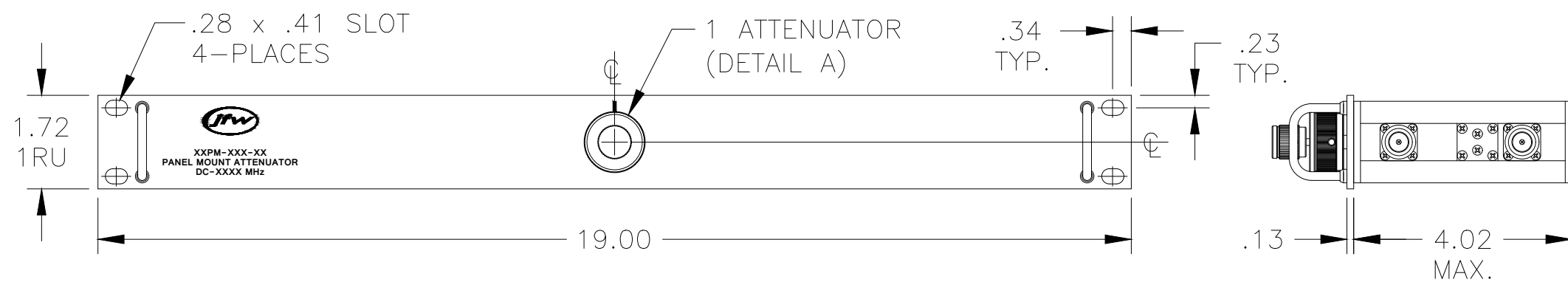
Available 1RU Models
 (add RF connector type to complete model number)

| | |
|-----------------|------------------------------------|
| 50PM-124-01 | (1 attenuator) |
| 50PM-124-02 | (2 attenuators) |
| 50PM-124-03 | (3 attenuators) |
| 50PM-124-04 | (4 attenuators) |
| 50PM-124-01-3EP | (1 attenuator, 3 empty positions) |
| 50PM-124-02-2EP | (2 attenuators, 2 empty positions) |
| 50PM-124-03-1EP | (3 attenuators, 1 empty positions) |

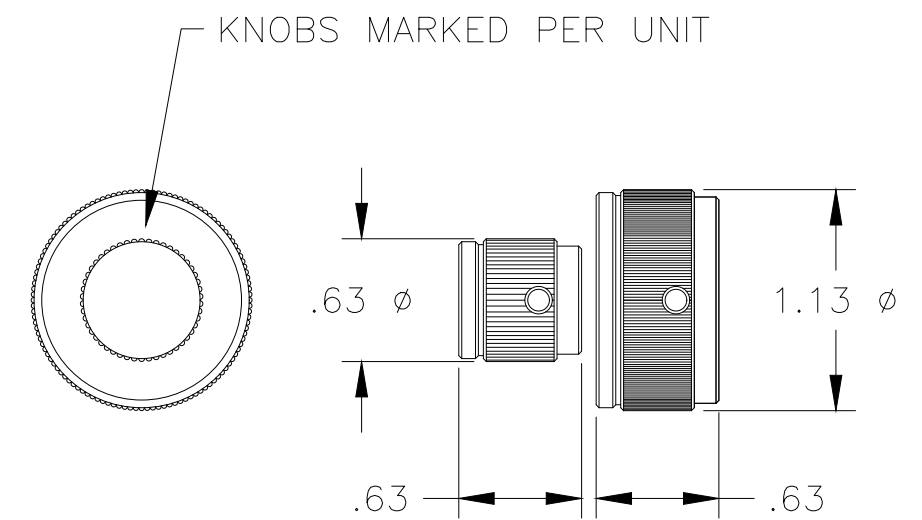
Available 2RU Models
 (add RF connector type to complete model number)

| | |
|-----------------|------------------------------------|
| 50PM-124-06 | (6 attenuators) |
| 50PM-124-08 | (8 attenuators) |
| 50PM-124-01-7EP | (1 attenuator, 7 empty positions) |
| 50PM-124-02-6EP | (2 attenuators, 6 empty positions) |
| 50PM-124-03-5EP | (3 attenuators, 5 empty positions) |
| 50PM-124-04-4EP | (4 attenuators, 4 empty positions) |
| 50PM-124-05-3EP | (5 attenuators, 3 empty positions) |
| 50PM-124-06-2EP | (6 attenuators, 2 empty positions) |
| 50PM-124-07-1EP | (7 attenuators, 1 empty position) |

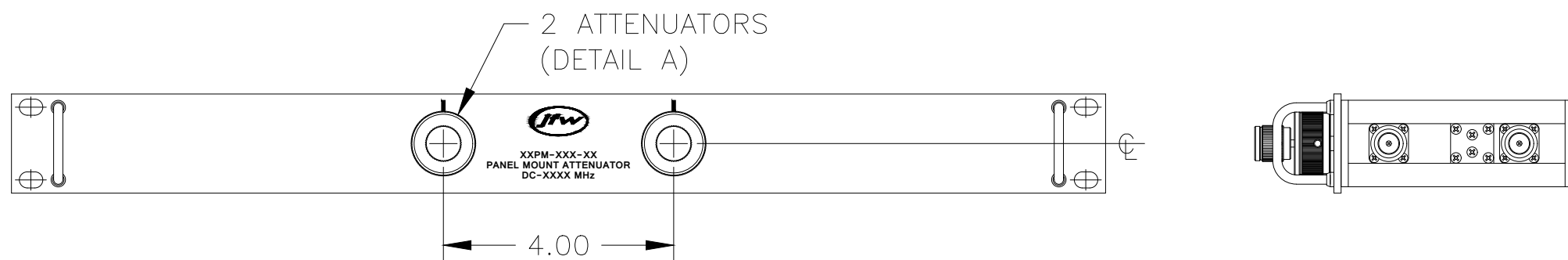
| ECR/ECN # | DATE | REV | APPR / DATE | ECR/ECN # | DATE | REV | APPR / DATE |
|-----------|------------|-----|----------------|-----------|------|-----|-------------|
| | 06/06/2016 | | TRS 06/06/2016 | | | | |
| 28157 | 10/05/2017 | A | TRS 10/05/2017 | | | | |



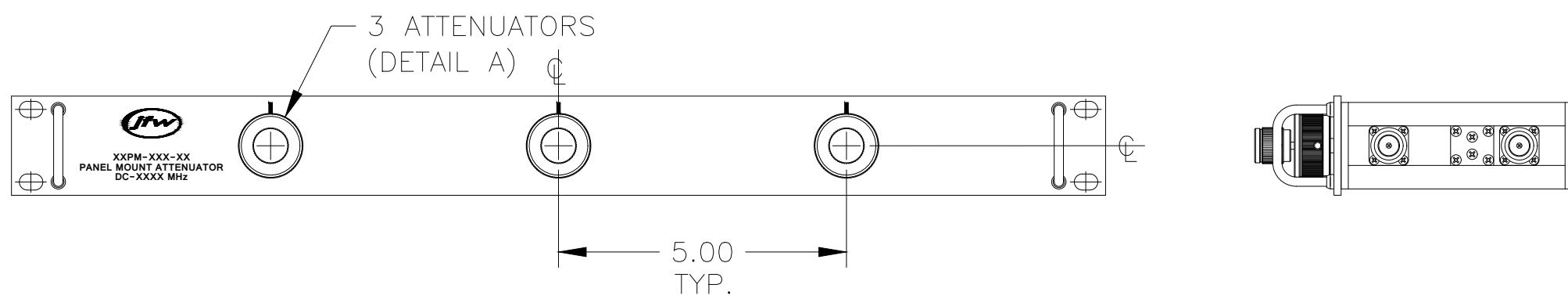
50PM-XXX-01
75PM-XXX-01
1 ATTENUATOR



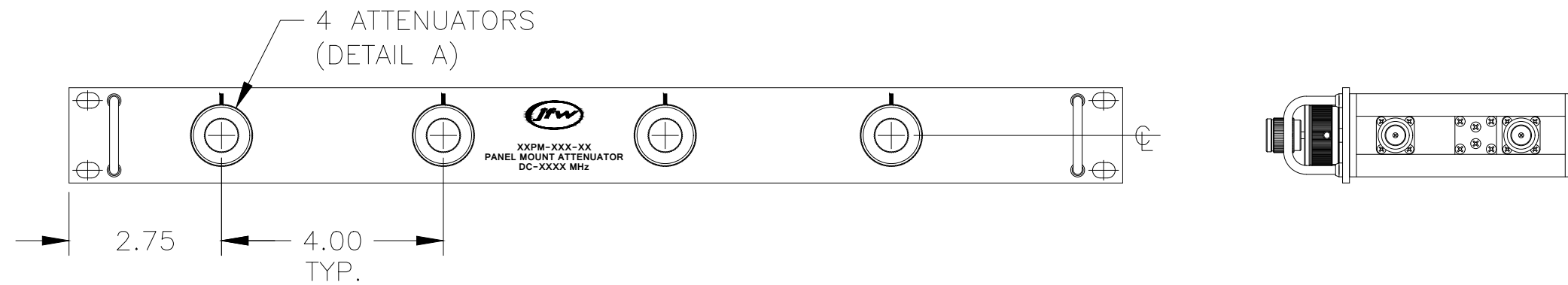
DETAIL A: KNOB DETAILS



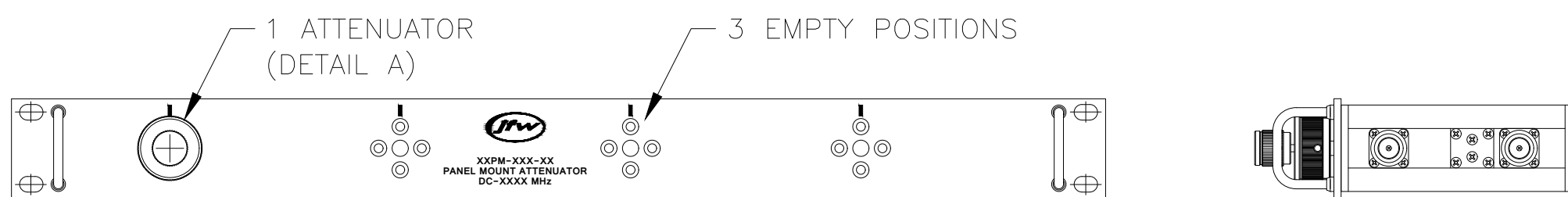
50PM-XXX-02
75PM-XXX-02
2 ATTENUATORS



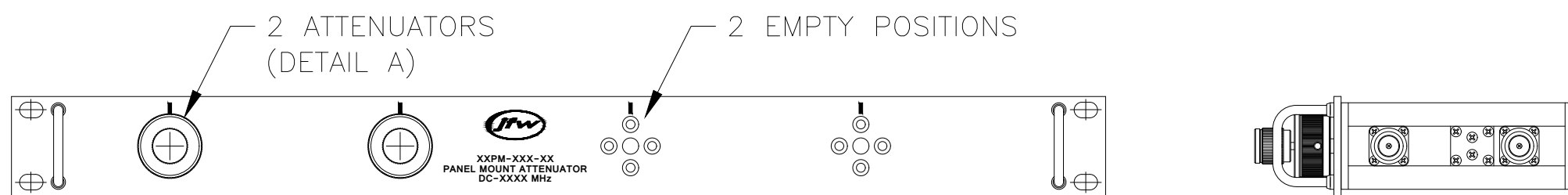
50PM-XXX-03
75PM-XXX-03
3 ATTENUATORS



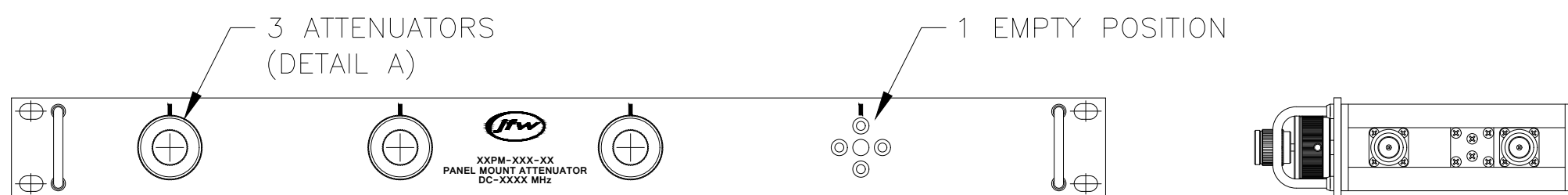
50PM-XXX-04
75PM-XXX-04
4 ATTENUATORS



50PM-XXX-01-3EP
75PM-XXX-01-3EP
1 ATTENUATOR
3 EMPTY POSITIONS



50PM-XXX-02-2EP
75PM-XXX-02-2EP
2 ATTENUATORS
2 EMPTY POSITIONS



50PM-XXX-03-1EP
75PM-XXX-03-1EP
3 ATTENUATORS
1 EMPTY POSITION

NOTE:
ALL ATTENUATOR POSITIONS ARE SCREENED
ON PANEL TO ALLOW FOR FUTURE EXPANSION

| REV | ECN | DATE | BY | APPR | JFW INDUSTRIES, INC. | |
|-----|--------|---------|-----|------|--|---|
| - | ISSUED | 3-1-16 | JZ | TEZ | www.jfwindustries.com PH: 317-887-1340 | |
| A | 26695 | 6-3-16 | TEZ | TEZ | MATERIAL ALUMINUM ALLOY PROPRIETARY INFORMATION | |
| B | 28119 | 9-25-17 | DTS | TRS | FINISH CHEMFILM TCP / FRONT: BLACK ALL SURFACES ARE TO BE FREE OF BURRS, PITS, & SCRATCHES | |
| | | | | | MODEL | XXPM-XXX-XX SCALE 3/8 TOLERANCES .XX±.010 .XXX±.005 .XX±.5' |
| | | | | | DESCRIPTION | PANEL MOUNT ATTENUATOR DWG # 092-8564 |