

SPECIFICATION SHEET

JFW MODEL 50PM-126-XX

PANEL MOUNTED ROTOR

JFW Industries, Inc.
Phone: 317-887-1340
sales@jfwindustries.com
www.jfwindustries.com

Configuration	Panel mounted 50DR-119 rotary attenuator(s) on a 19 inch rack mountable panel
Attenuation Range	0-110 dB in 1 dB steps
Frequency Range	DC-2200 MHz
Impedance	50 Ohms nominal
VSWR	1.2:1 maximum DC-500 MHz 1.4:1 maximum 500-1000 MHz 1.5:1 maximum 1000-2200 MHz
Insertion Loss	0.5 dB maximum DC-1000 MHz 1.0 dB maximum 1000-2200 MHz
Attenuation Accuracy	± 0.5 dB or 2% DC-500 MHz ± 0.5 dB or 3% 500-2000 MHz ± 0.5 dB or 4% 2000-2200 MHz (whichever is greater)
RF Input Power	2 Watts average 1000 Watts peak
Direction of Rotation	Attenuation increases in a Clockwise direction
Indexing	30 degrees with stops at minimum and maximum
RF Connector	BNC, N, SMA or TNC female
Operating Temperature Range	-20°C to +85°C
Lifetime	500,000 attenuation steps (each knob)
Outline Drawing Numbers	092-8564 (1RU models) 092-8565 (2RU models)
Available 1RU Models (add RF connector type to complete model number)	50PM-126-01 (1 attenuator) 50PM-126-02 (2 attenuators) 50PM-126-03 (3 attenuators) 50PM-126-04 (4 attenuators) 50PM-126-01-3EP (1 attenuator, 3 empty positions) 50PM-126-02-2EP (2 attenuators, 2 empty positions) 50PM-126-03-1EP (3 attenuators, 1 empty positions)

--CONTINUED--

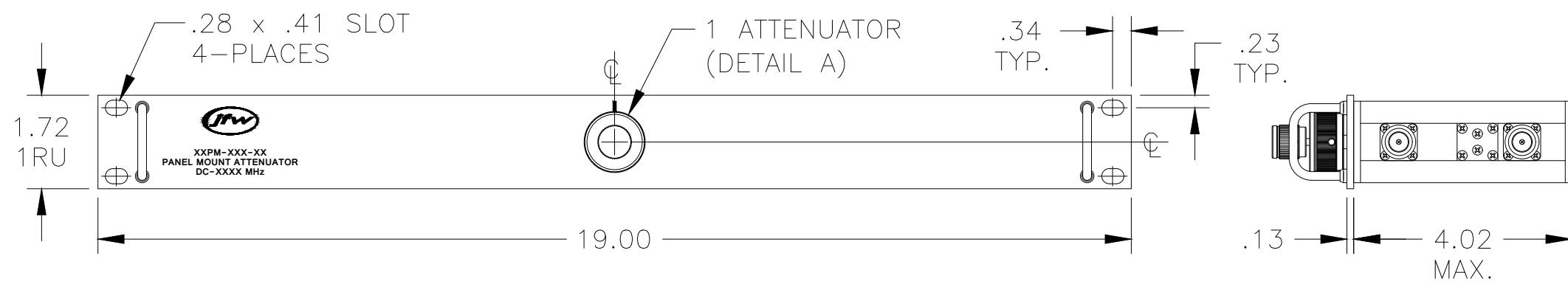
SPECIFICATION SHEET
JFW MODEL 50PM-126-XX
PANEL MOUNTED ROTOR

JFW Industries, Inc.
 Phone: 317-887-1340
 sales@jfwindustries.com
 www.jfwindustries.com

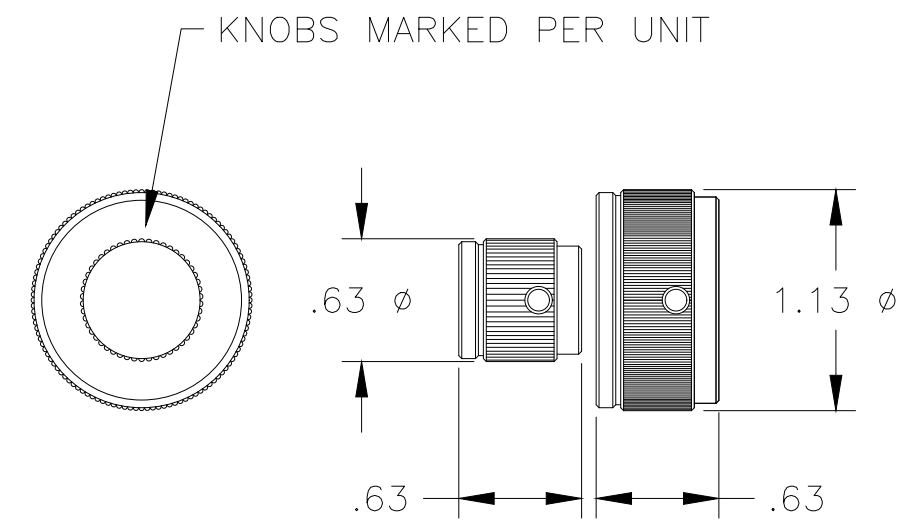
Available 2RU Models (add RF connector type to complete model number)	50PM-126-06	(6 attenuators)
	50PM-126-08	(8 attenuators)
	50PM-126-01-7EP	(1 attenuator, 7 empty positions)
	50PM-126-02-6EP	(2 attenuators, 6 empty positions)
	50PM-126-03-5EP	(3 attenuators, 5 empty positions)
	50PM-126-04-4EP	(4 attenuators, 4 empty positions)
	50PM-126-05-3EP	(5 attenuators, 3 empty positions)
	50PM-126-06-2EP	(6 attenuators, 2 empty positions)
50PM-126-07-1EP	(7 attenuators, 1 empty position)	



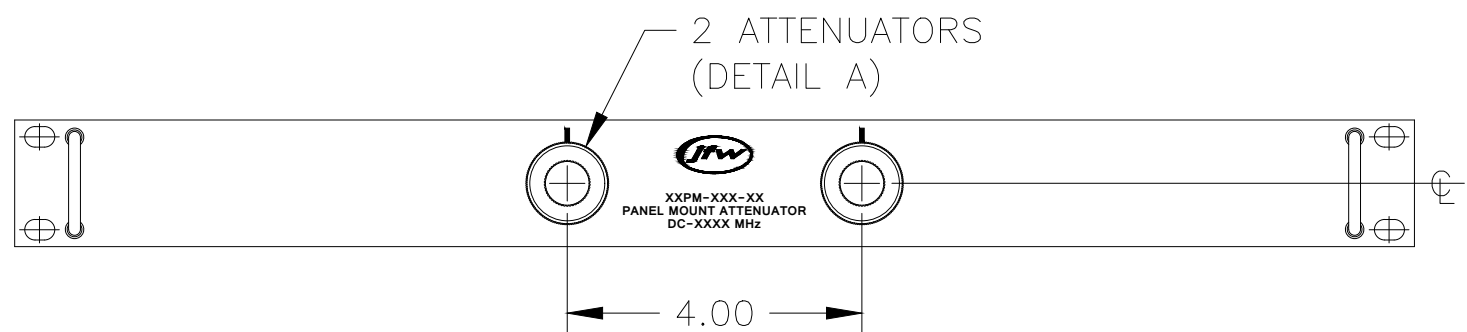
ECR/ECN #	DATE	REV	APPR / DATE	ECR/ECN #	DATE	REV	APPR / DATE
	06/06/2016		TRS 06/06/2016				
28157	10/05/2017	A	TRS 10/05/2017				



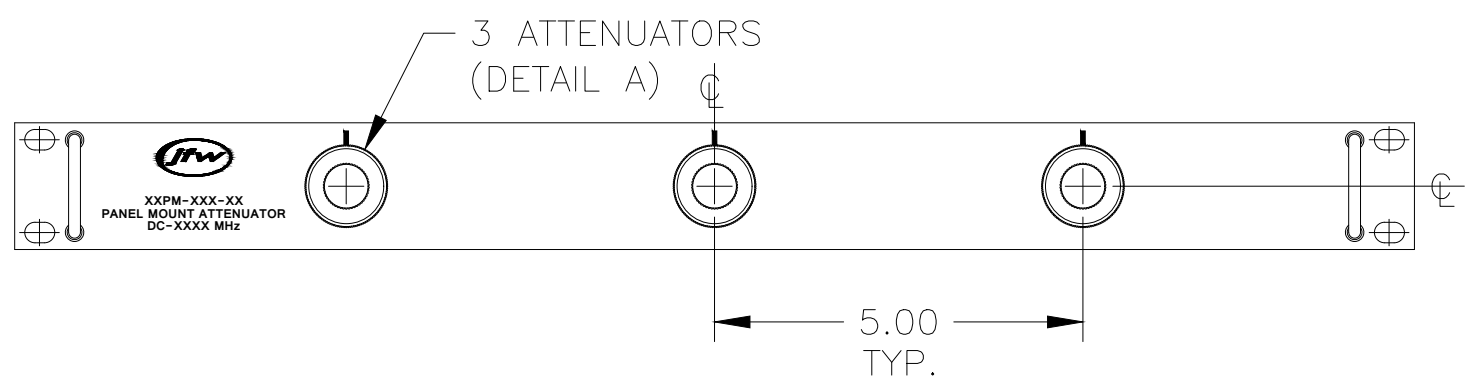
50PM-XXX-01
75PM-XXX-01
1 ATTENUATOR



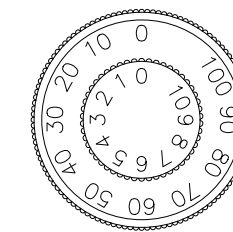
DETAIL A: KNOB DETAILS



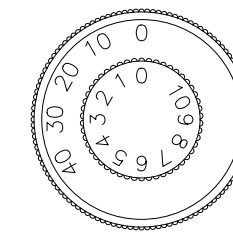
50PM-XXX-02
75PM-XXX-02
2 ATTENUATORS



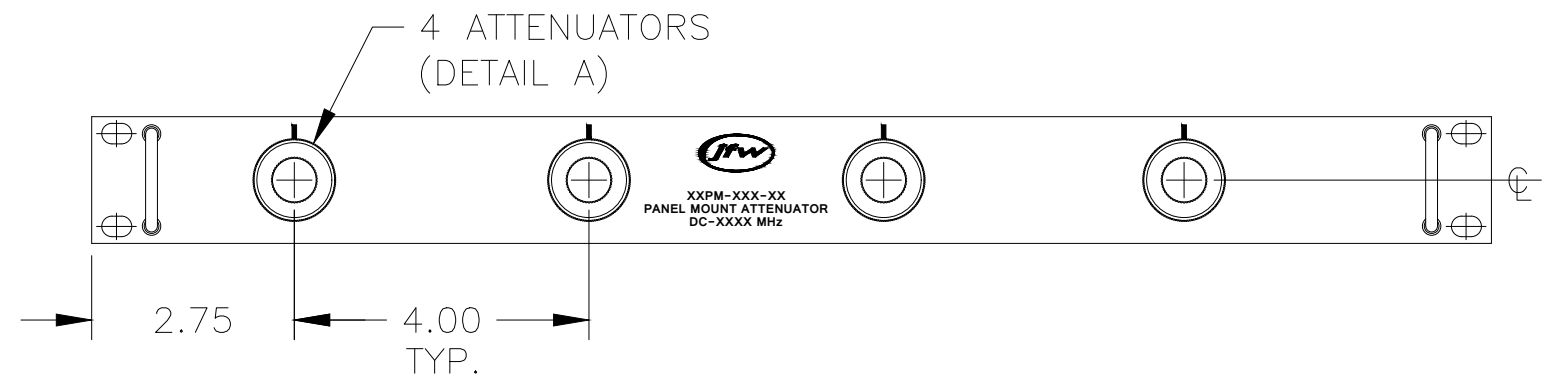
50PM-XXX-03
75PM-XXX-03
3 ATTENUATORS



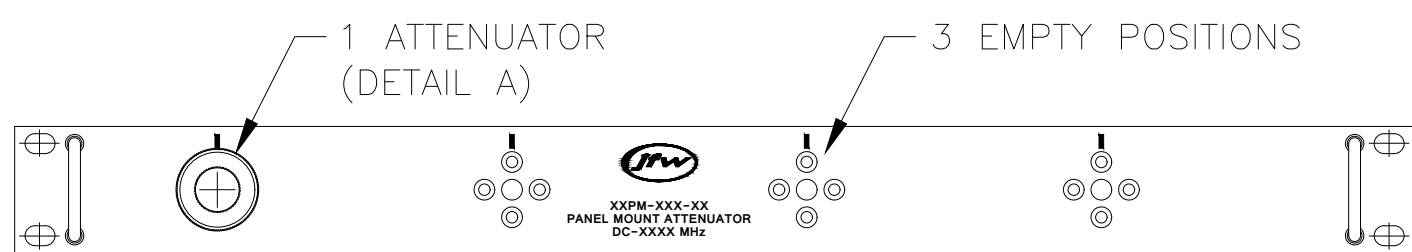
EXAMPLE KNOB MARKINGS FOR 0-110X1dB MODELS



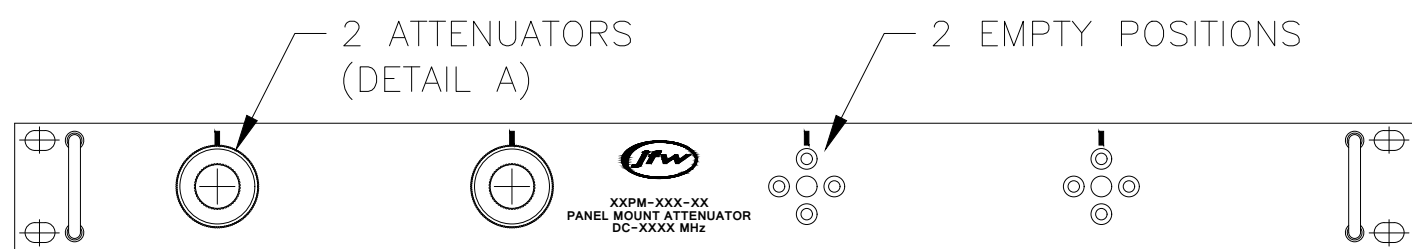
EXAMPLE KNOB MARKINGS FOR 0-50X1dB MODELS



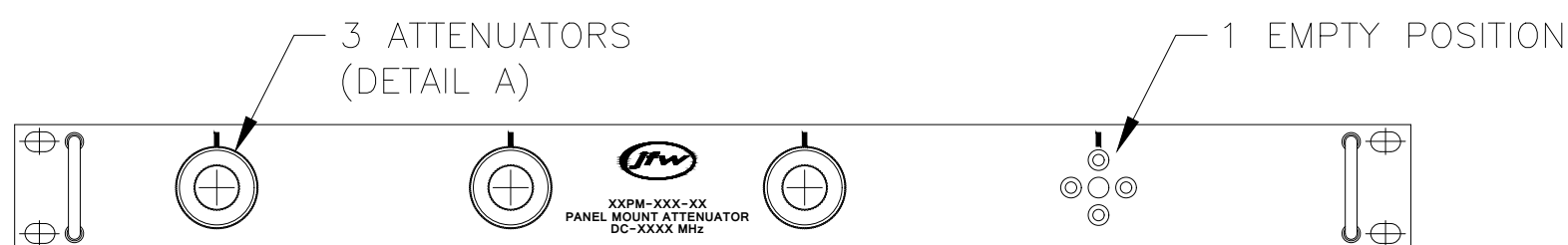
50PM-XXX-04
75PM-XXX-04
4 ATTENUATORS



50PM-XXX-01-3EP
75PM-XXX-01-3EP
1 ATTENUATOR
3 EMPTY POSITIONS



50PM-XXX-02-2EP
75PM-XXX-02-2EP
2 ATTENUATORS
2 EMPTY POSITIONS



50PM-XXX-03-1EP
75PM-XXX-03-1EP
3 ATTENUATORS
1 EMPTY POSITION

NOTE:
ALL ATTENUATOR POSITIONS ARE SCREENED
ON PANEL TO ALLOW FOR FUTURE EXPANSION

REV	ECN	DATE	BY	APPR	JFW INDUSTRIES, INC.	
-	ISSUED	3-1-16	JZ	TEZ	www.jfwindustries.com PH: 317-887-1340	
A	26695	6-3-16	TEZ	TEZ		
B	28119	9-25-17	DTS	TRS		
MATERIAL					ALUMINUM ALLOY	PROPRIETARY INFORMATION
FINISH					CHEMFILM TCP / FRONT: BLACK	ALL SURFACES ARE TO BE FREE OF BURRS, PITS, & SCRATCHES
MODEL					XXPM-XXX-XX	TOLERANCES .XX±.010 .XXX±.005 .XX±.5'
DESCRIPTION					PANEL MOUNT ATTENUATOR	DWG # 092-8564
SCALE					3/8	