

SPECIFICATION SHEET

JFW MODEL 50R-246

ROTARY ATTENUATOR

JFW Industries, Inc.
Phone: 317-887-1340
sales@jfwindustries.com
www.jfwindustries.com

Frequency Range DC-2700 MHz

Impedance 50 Ohms nominal

Attenuation Range 0-70 dB in 10 dB steps

VSWR 1.2:1 maximum DC-1000 MHz
1.4:1 maximum 1000-2700 MHz

Insertion Loss 0.6 dB maximum
0.17 dB typical @ 1000 MHz
0.44 dB typical @ 2700 MHz

Attenuation Accuracy ± 0.5 dB or 1% DC-500 MHz
± 0.5 dB or 2% 500-1000 MHz
± 0.5 dB or 3% 1000-2700 MHz
(whichever is greater)

RF Input Power 2 Watts average

Direction of Rotation Attenuation increases in a Clockwise direction

Indexing 30 degrees with stops at Minimum and maximum

RF Connector SMA female

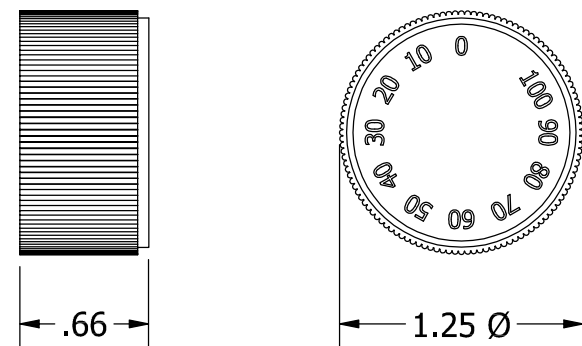
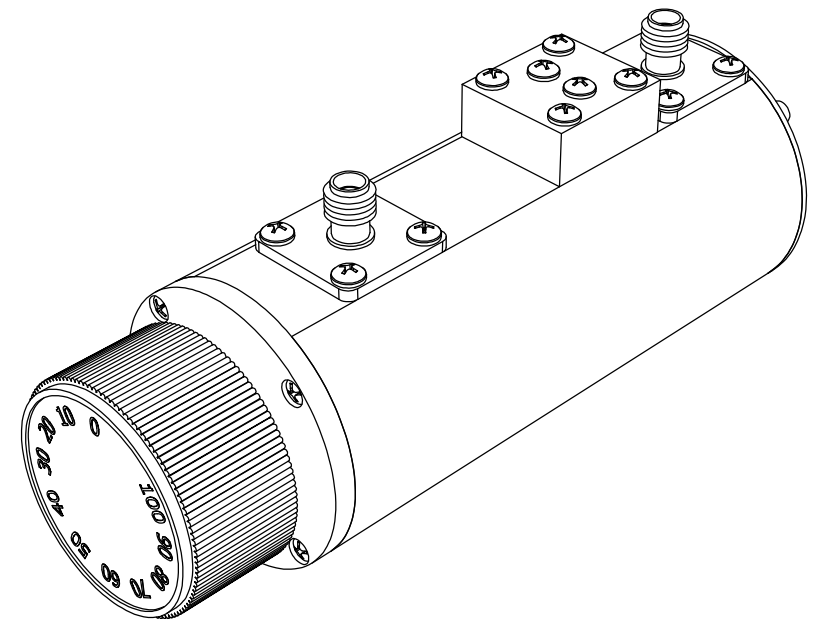
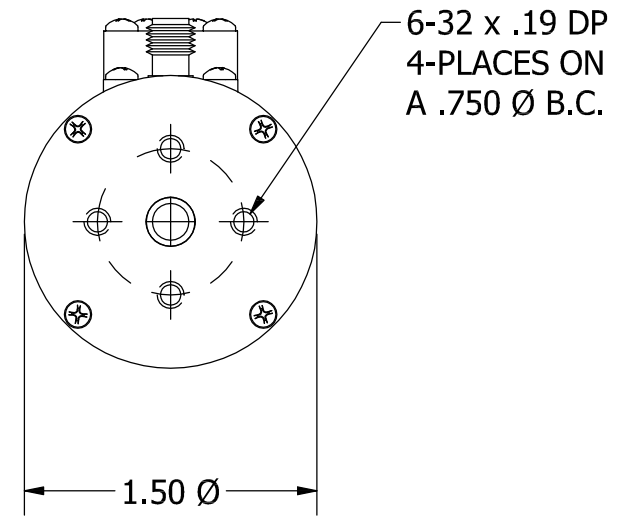
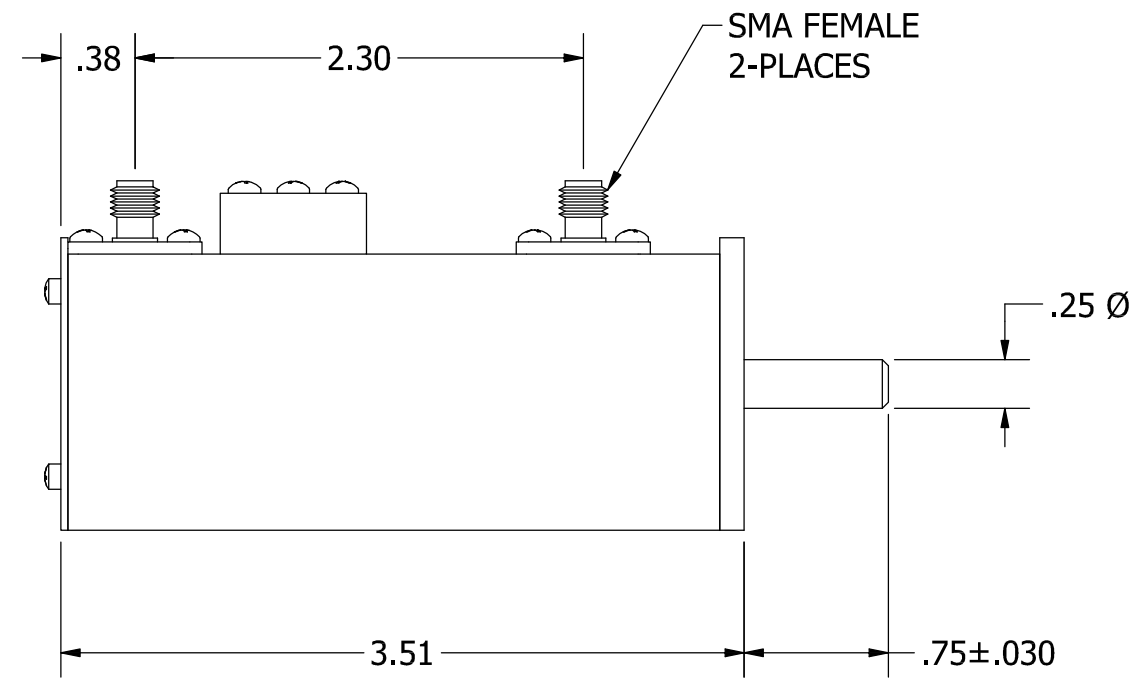
Operating Temperature Range -20°C to +85°C

Lifetime 500,000 attenuation steps


Knob/Panel Mounting Drawing 092-8435-01

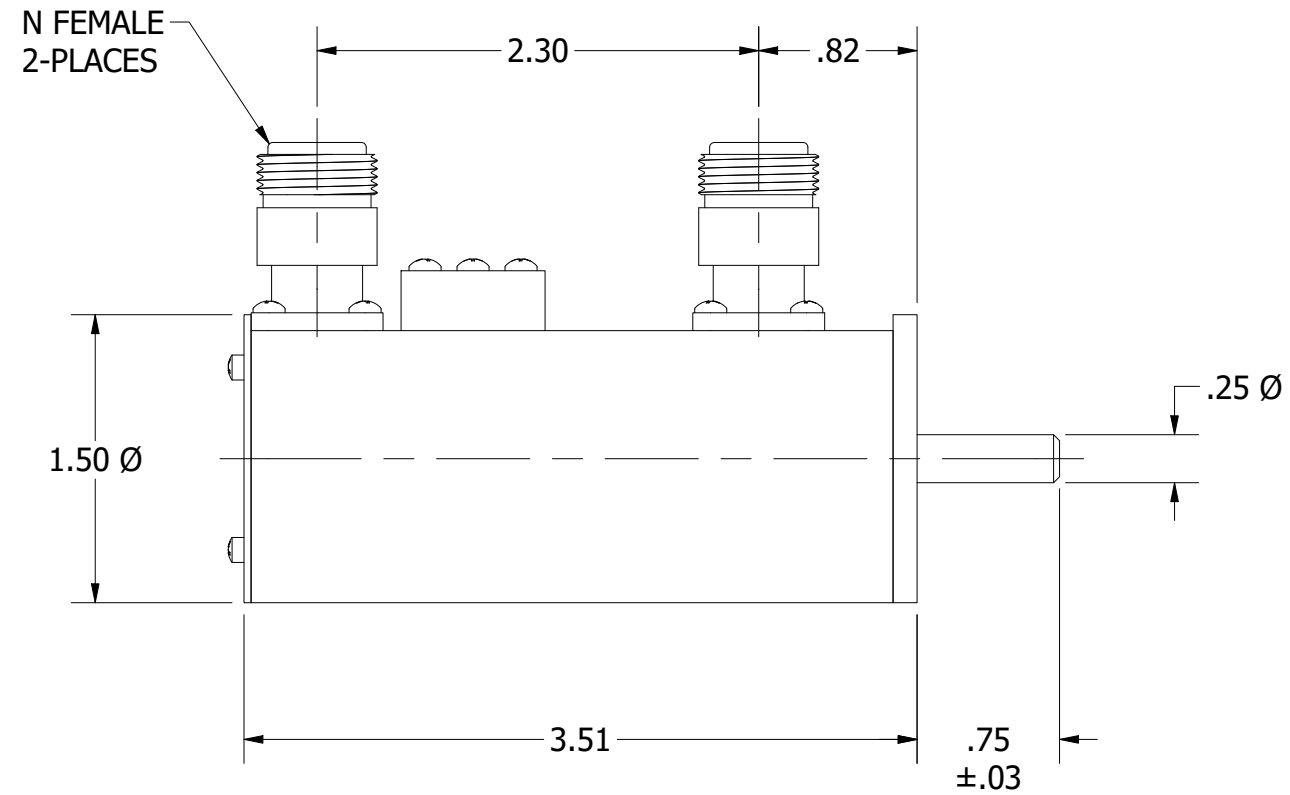
Outline Drawing 092-428-07 (50R-246 SMA)

ECR/ECN #	DATE	REV	APPR / DATE	ECR/ECN #	DATE	REV	APPR / DATE
11843	09/08/2005	C	BAC 09/08/2005	17378	07/02/2009	F	TRS 07/02/2009
16357	09/30/2008	D	TRS 09/30/2008	25776	09/28/2015	G	TRS 09/29/2015
16402	10/15/2008	E	TRS 10/15/2008	28157	10/05/2017	H	TRS 10/05/2017

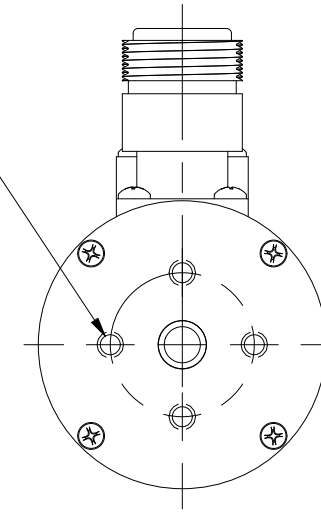


KNOB DETAIL

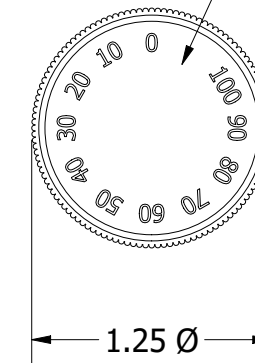
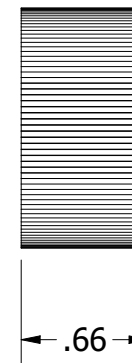
REV	ECN	DATE	BY	APPR			
-	ISSUED	2-10-95	CDJ	FDW	 JFW INDUSTRIES, INC. www.jfwindustries.com PH: 317-887-1340		
A	4581	3-1-95	TEZ	FDW			
B	4983	5-21-96	TEZ	FDW			
C	6532	12-11-00	CDJ	TEZ			
D	6750	6-11-01	CDJ	TEZ			
E	12635	4-20-06	ETW	TEZ			
F	24444	9-11-15	JZ	TEZ			
MATERIAL					ALUMINUM ALLOY		PROPRIETARY INFORMATION
FINISH					CHEMFILM TCP		ALL SURFACES ARE TO BE FREE OF BURRS, PITS & SCRATCHES
MODEL					50R-XXX		TOLERANCES .XX±.010 .XXX±.005 XX°±.5°
DESCRIPTION					0-100 dB ROTARY ATTEN.		DWG # 092-2275
SCALE					FULL		



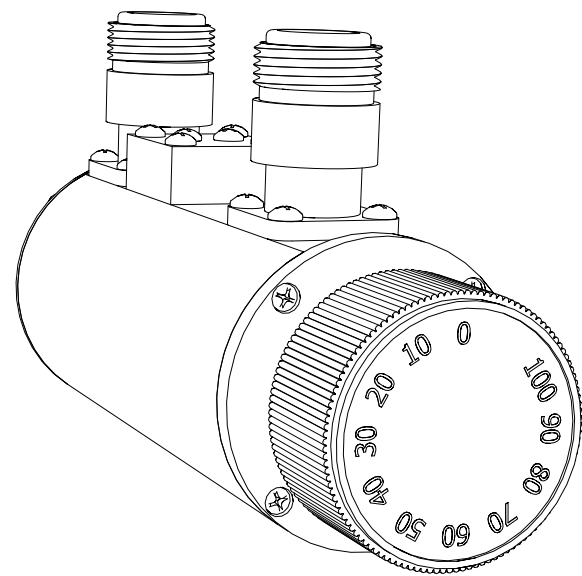
6-32 x .19 DP
4-PLACES ON
A .750 Ø B.C.




KNOB MARKED PER UNIT
0-100 dB x 10 dB SHOWN



KNOB DETAIL



REV	ECN	DATE	BY	APPR
-	ISSUED	6-10-09	BZ	TRS
A	24444	9-17-19	GM	TEZ

		JFW INDUSTRIES, INC. www.jfwindustries.com PH: 317-887-1340	
		MATERIAL	ALUMINUM ALLOY
FINISH	CHEMFILM TCP	ALL SURFACES ARE TO BE FREE OF BURRS, PITS & SCRATCHES	
MODEL	50R-XXX	SCALE	FULL
DESCRIPTION	ROTARY ATTENUATOR	TOLERANCES .XX±.010 .XXX±.005 XX°±.5° DWG #	
		092-6200-03	

