

**SPECIFICATION SHEET**

**JFW MODEL 50R-385**

**ROTARY ATTENUATOR**

JFW Industries, Inc.  
Phone: 317-887-1340  
sales@jfwindustries.com  
www.jfwindustries.com

Frequency Range DC-3000 MHz

Impedance 50 Ohms nominal

Attenuation Range 0-10 dB in 1 dB steps

VSWR 1.3:1 maximum DC-700 MHz  
1.5:1 maximum 700-3000 MHz

Insertion Loss 0.6 dB maximum  
0.15 dB typical @ 1000 MHz  
0.32 dB typical @ 3000 MHz

Attenuation Accuracy ± 0.5 dB

RF Input Power 2 Watts average  
1000 Watts peak

Direction of Rotation Attenuation increases in a Clockwise direction

Indexing 30 degrees with stops at Minimum and maximum

RF Connector SMA female

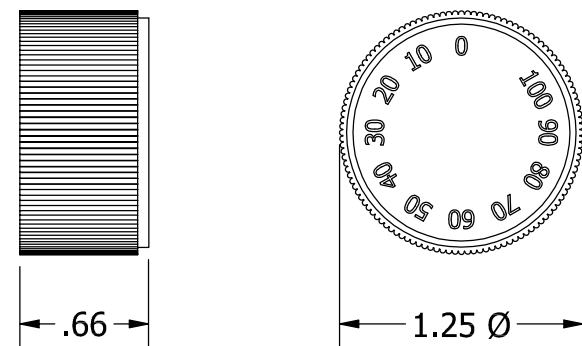
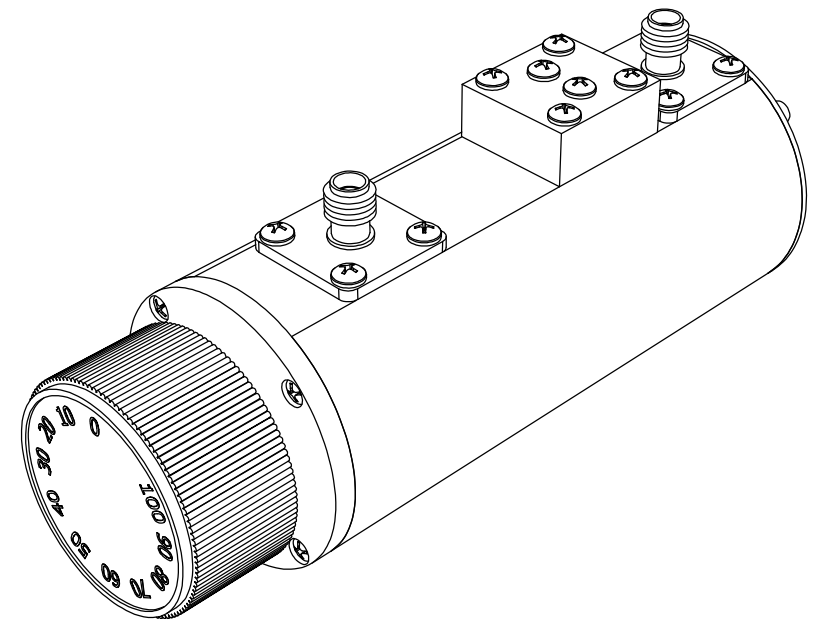
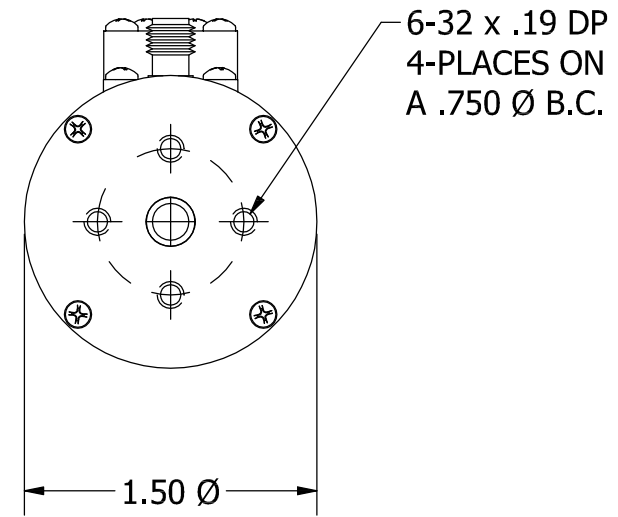
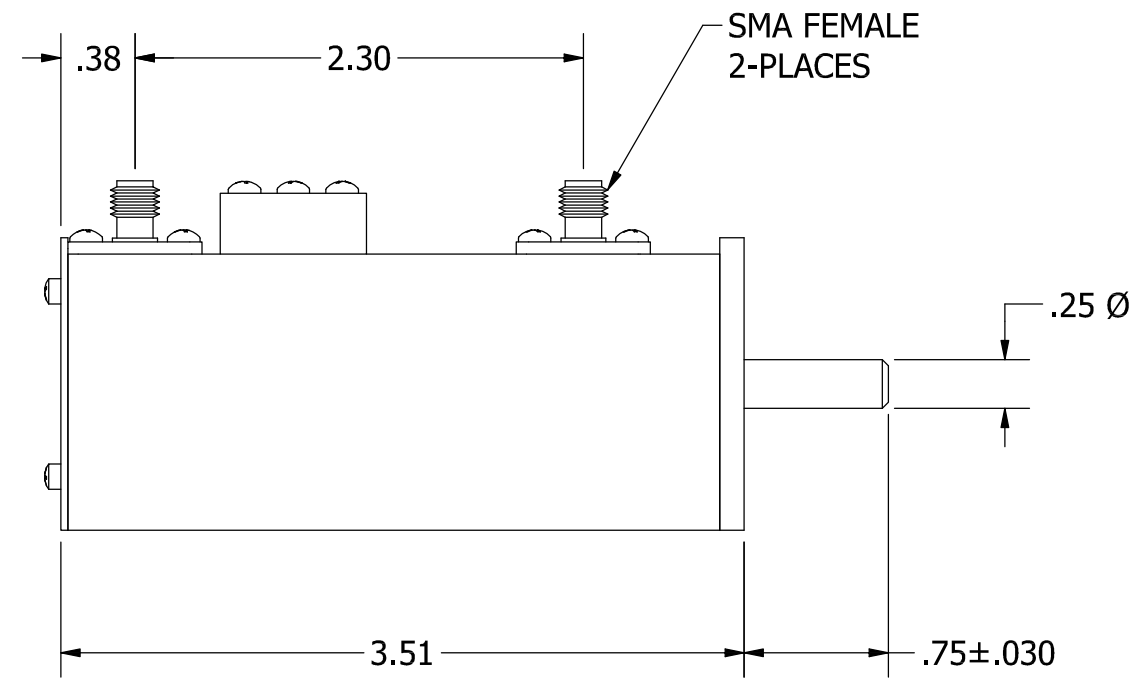
Operating Temperature Range -20°C to +85°C

Lifetime 500,000 attenuation steps

Knob/Panel Mounting Drawing 092-8435-01

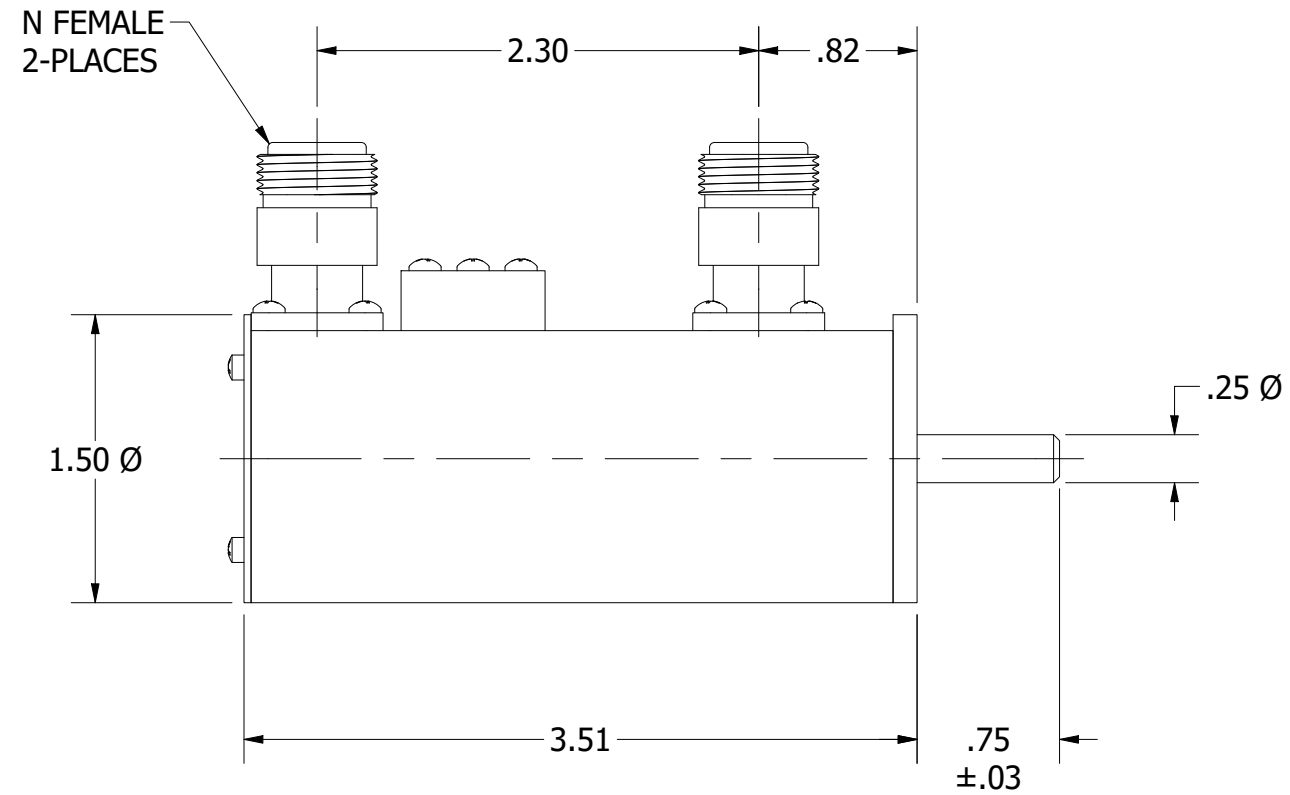
Outline Drawing 092-039 (50R-385 SMA)

ECR/ECN #	DATE	REV	APPR / DATE	ECR/ECN #	DATE	REV	APPR / DATE
	03/19/2011		TRS 07/19/2011	28157	10/05/2017	C	TRS 10/05/2017
25776	09/28/2015	A	TRS 09/29/2015	31381	10/14/2021	D	TRS 10/14/2021
26091	12/30/2015	B	TRS 12/30/2015				

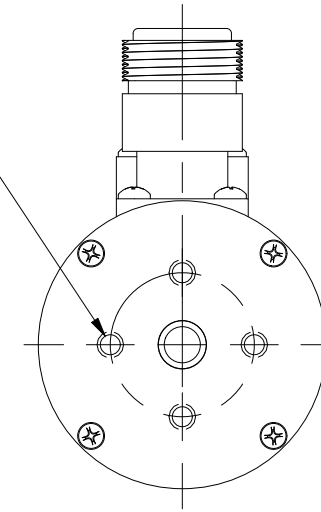


**KNOB DETAIL**

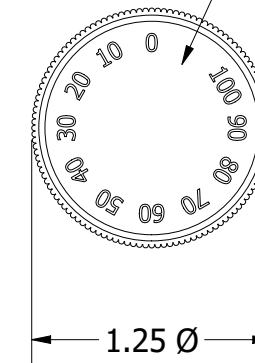
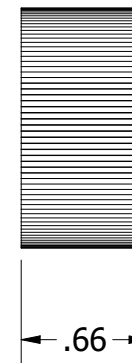
REV	ECN	DATE	BY	APPR		
-	ISSUED	2-10-95	CDJ	FDW		
A	4581	3-1-95	TEZ	FDW		
B	4983	5-21-96	TEZ	FDW		
C	6532	12-11-00	CDJ	TEZ		
D	6750	6-11-01	CDJ	TEZ		
E	12635	4-20-06	ETW	TEZ		
F	24444	9-11-15	JZ	TEZ		
					<b>JFW INDUSTRIES, INC.</b>	
					<i>www.jfwindustries.com</i> PH: 317-887-1340	
					MATERIAL	ALUMINUM ALLOY
					FINISH	CHEMFILM TCP
					MODEL	50R-XXX
					SCALE	FULL
					DESCRIPTION	0-100 dB ROTARY ATTEN.
						PROPRIETARY INFORMATION
						ALL SURFACES ARE TO BE FREE OF BURRS, PITS & SCRATCHES
						TOLERANCES .XX±.010 .XXX±.005 XX°±.5°
						DWG # 092-2275



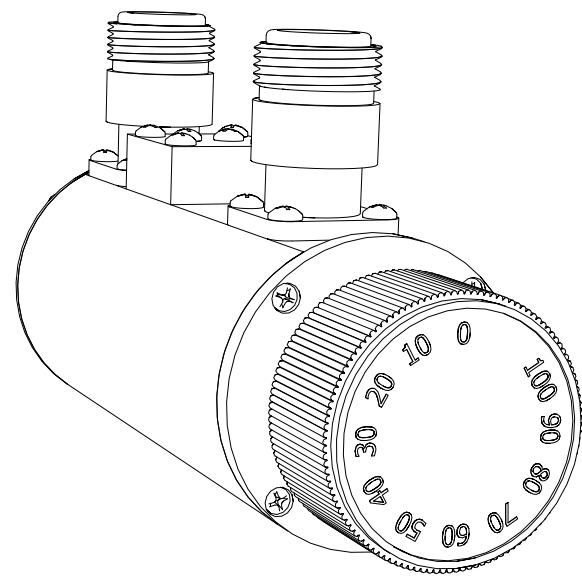
6-32 x .19 DP  
4-PLACES ON  
A .750 Ø B.C.



KNOB MARKED PER UNIT  
0-100 dB x 10 dB SHOWN



### KNOB DETAIL



REV	ECN	DATE	BY	APPR
-	ISSUED	6-10-09	BZ	TRS
A	24444	9-17-19	GM	TEZ



**JFW INDUSTRIES, INC.**

[www.jfwindustries.com](http://www.jfwindustries.com)

PH: 317-887-1340

MATERIAL	ALUMINUM ALLOY	PROPRIETARY INFORMATION
FINISH	CHEMFILM TCP	ALL SURFACES ARE TO BE FREE OF BURRS, PITS & SCRATCHES
MODEL	50R-XXX	TOLERANCES .XX±.010 .XXX±.005 XX°±.5°
DESCRIPTION	ROTARY ATTENUATOR	DWG # 092-6200-03

