

**SPECIFICATION SHEET**

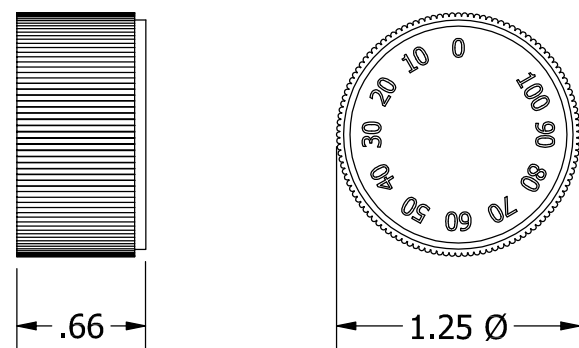
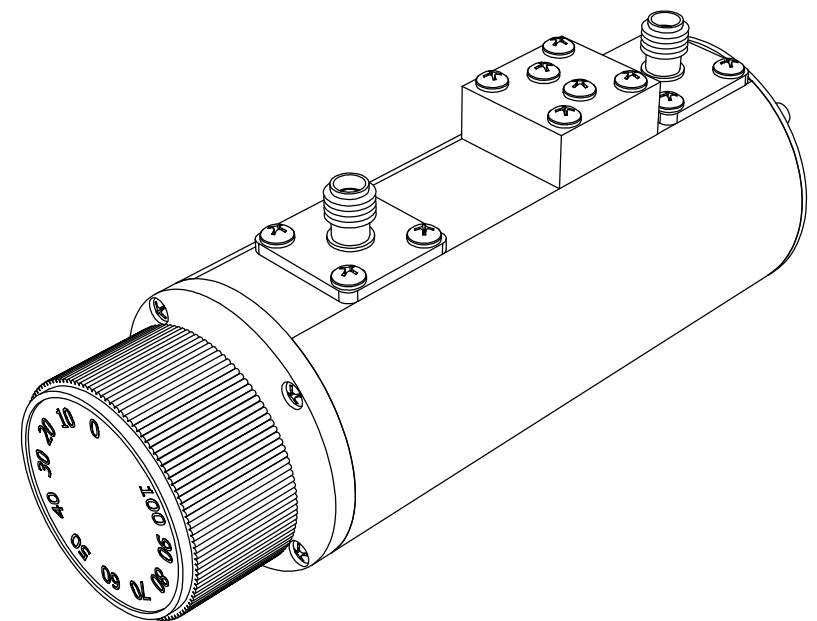
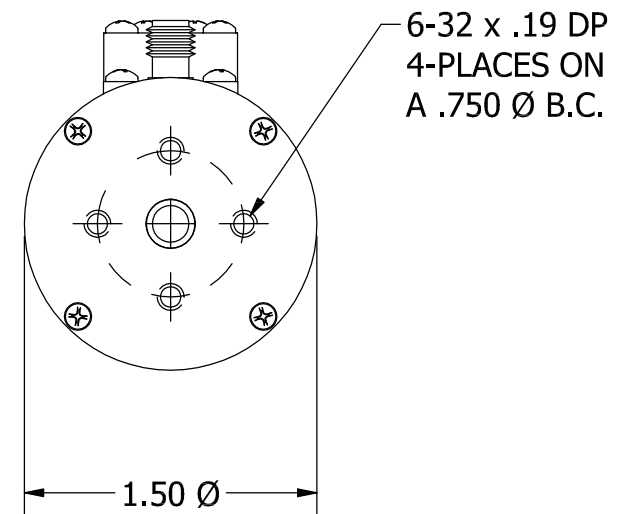
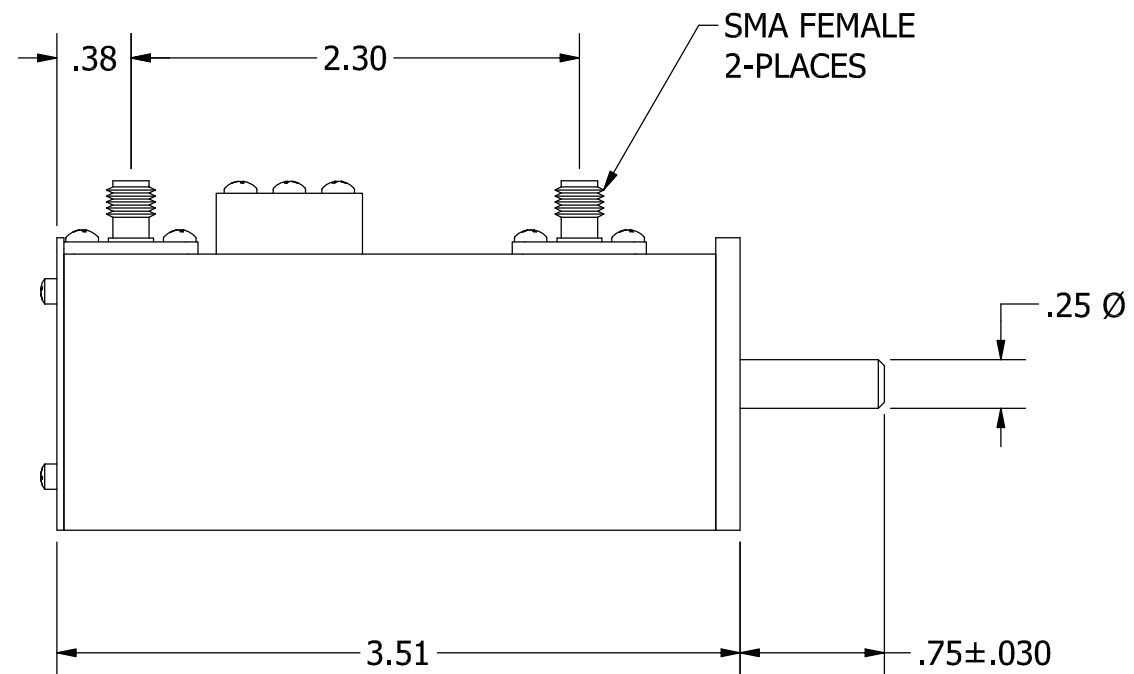
**JFW MODEL 50R-397**

**ROTARY ATTENUATOR**


JFW Industries, Inc.  
Phone: 317-887-1340  
sales@jfwindustries.com  
www.jfwindustries.com

Frequency Range	DC-3000 MHz
Impedance	50 Ohms nominal
Attenuation Range	0-70 dB in 10 dB steps
VSWR	1.5:1 maximum
Insertion Loss	0.80 dB maximum 0.44 dB typical @ 3000 MHz
Attenuation Accuracy	± 0.7 dB or 4% maximum ± 0.5 dB or 2% typical (whichever is greater)
RF Input Power	2 Watts average
Direction of Rotation	Attenuation increases in a Clockwise direction
Indexing	30 degrees with stops at minimum and maximum
RF Connector	N or SMA female
Operating Temperature Range	-20°C to +85°C
Lifetime	500,000 attenuation steps
Knob/Panel Mounting Drawing	092-8435-01
Outline Drawing Numbers	092-428-03 (50R-397 N) 092-428-07 (50R-397 SMA)

ECR/ECN #	DATE	REV	APPR / DATE	ECR/ECN #	DATE	REV	APPR / DATE
	03/25/2016		TRS 03/25/2016				
28157	10/05/2017	A	TRS 10/05/2017				
29274	11/14/2019	B	TRS 01/14/2019				



**KNOB DETAIL**

REV	ECN	DATE	BY	APPR		
-	ISSUED	2-10-95	CDJ	FDW	 <b>JFW INDUSTRIES, INC.</b> www.jfwindustries.com PH: 317-887-1340	
A	4581	3-1-95	TEZ	FDW		
B	4983	5-21-96	TEZ	FDW		
C	6532	12-11-00	CDJ	TEZ		
D	6750	6-11-01	CDJ	TEZ		
E	12635	4-20-06	ETW	TEZ		
F	24444	9-11-15	JZ	TEZ		
MATERIAL					ALUMINUM ALLOY	PROPRIETARY INFORMATION
FINISH					CHEMFILM TCP	ALL SURFACES ARE TO BE FREE OF BURRS, PITS & SCRATCHES
MODEL					50R-XXX	SCALE FULL TOLERANCES .XX±.010 .XXX±.005 XX°±.5°
DESCRIPTION					0-100 dB ROTARY ATTEN.	DWG # 092-2275



