

SPECIFICATION SHEET

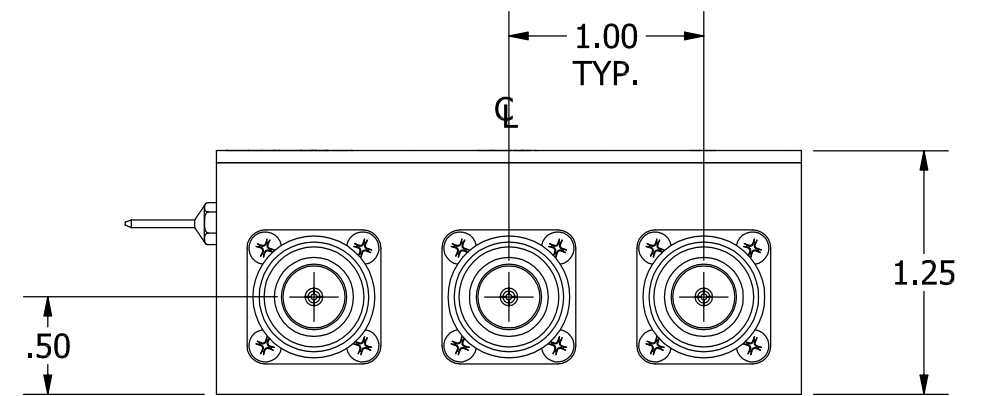
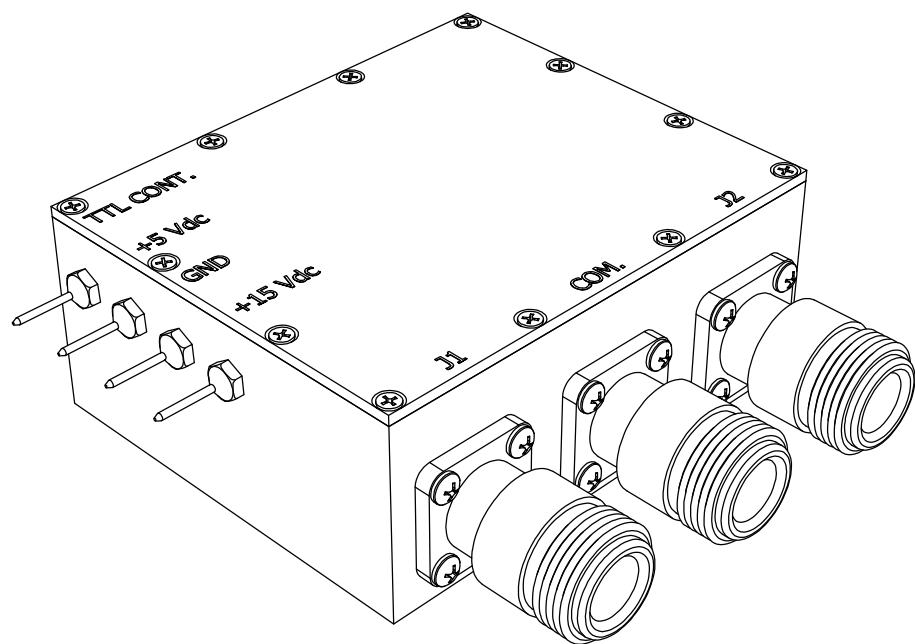
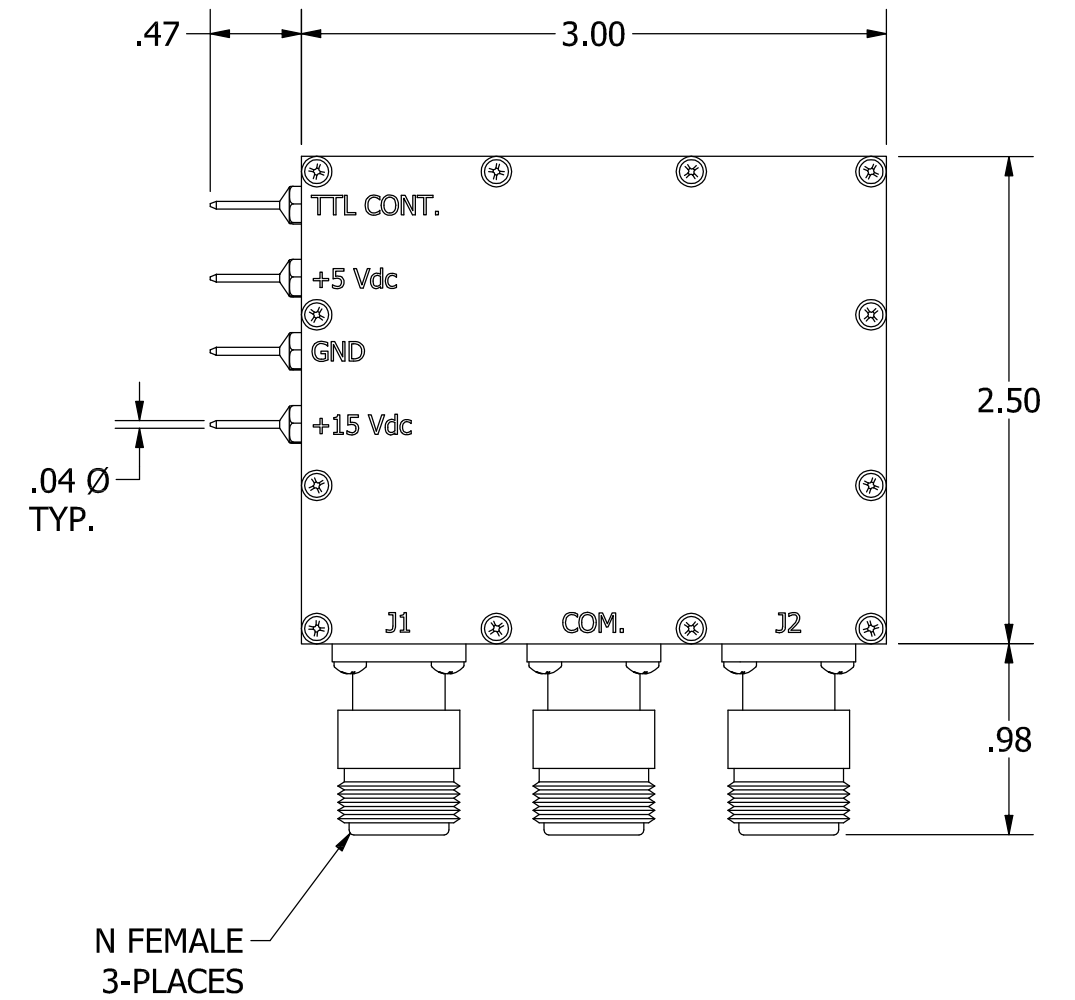
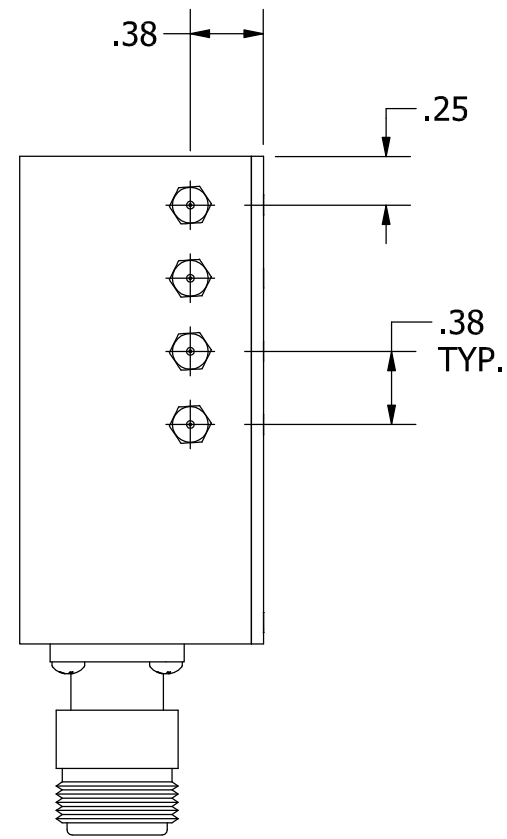
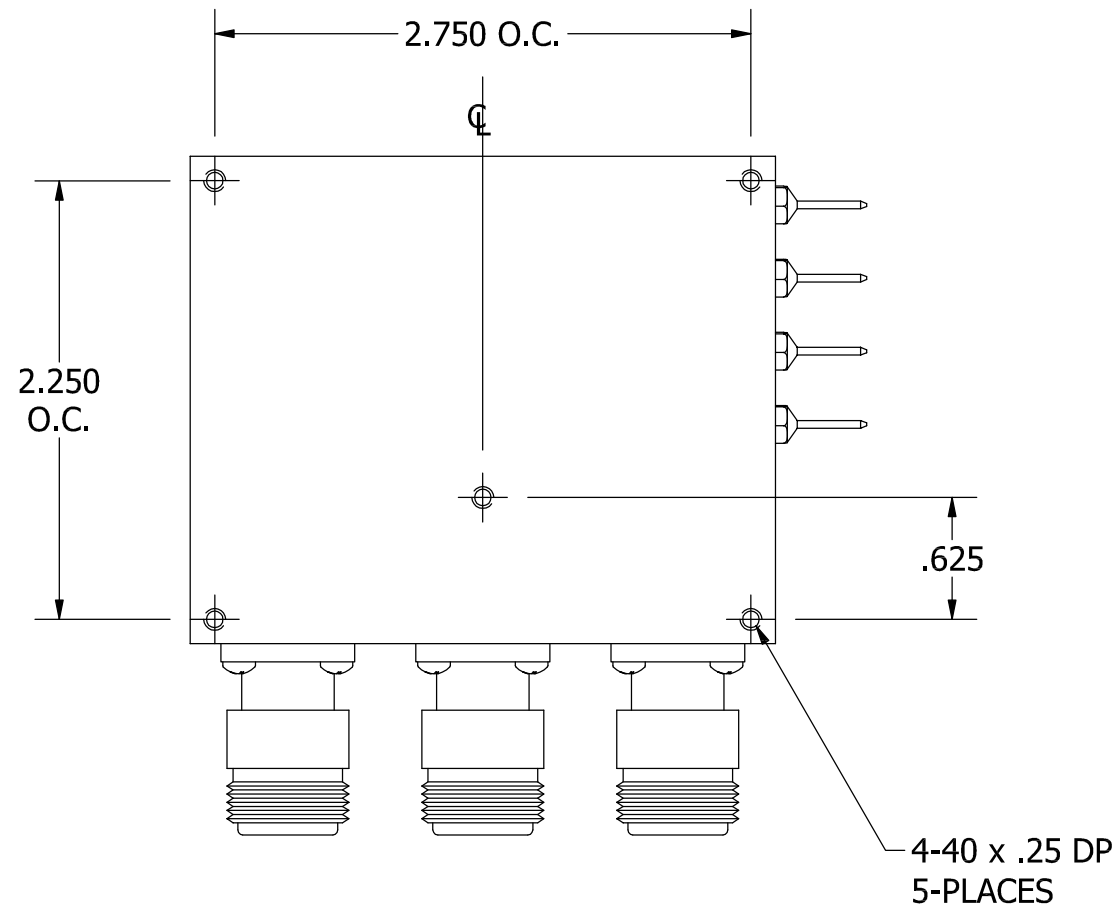
JFW MODEL 50S-1559

1P2T REFLECTIVE SOLID STATE RF SWITCH

JFW Industries, Inc.
Phone: 317-887-1340
sales@jfwindustries.com
www.jfwindustries.com

Frequency Range	20-1000 MHz
Configuration	1P2T Reflective
Impedance	50 Ohms nominal
VSWR	1.4:1 maximum
Insertion Loss	0.50 dB maximum 20-500 MHz 0.75 dB maximum 500-1000 MHz
Isolation	50 dB minimum 20-500 MHz 40 dB minimum 500-1000 MHz
Switching Speed	40 microseconds (50% TTL to 10% or 90% RF)
RF Input Power	150 Watts average (Cold switch) 50 Watts average (Hot Switch)
Control (1 line)	TTL "Low" Common to J1 TTL "High" Common to J2
DC Supply	+15 Vdc @ 250 mA nominal and +5 Vdc @ 40 mA nominal
RF Connector	BNC, SMA, TNC or N female
Operating Temperature Range	-20°C to +70°C
Storage Temperature Range	-55°C to +85°C
Physical Size	See outline drawing 092-3022 (N) 092-5245 (SMA)

ECR/ECN #	DATE	REV	APPR / DATE	ECR/ECN #	DATE	REV	APPR / DATE
	07/06/2007		BAC 07/06/2007				
27653	03/21/2017	A	BAC 03/21/2017				



TTL LOW = COMMON TO J1
TTL HIGH = COMMON TO J2

REV	ECN	DATE	BY	APPR
-	ISSUED	3-6-99	TEZ	FDW
A	6048	6-28-99	TEZ	FDW
B	6296	6-13-00	TEZ	FDW
C	24444	12-23-15	TEZ	TEZ



JFW INDUSTRIES, INC.

www.jfwindustries.com

PH: 317-887-1340

MATERIAL	ALUMINUM ALLOY	PROPRIETARY INFORMATION
FINISH	ELECTROLESS NICKEL	ALL SURFACES ARE TO BE FREE OF BURRS, PITS & SCRATCHES
MODEL		TOLERANCES .XX±.010 .XXX±.005 XX°±.5°
DESCRIPTION	1P2T SWITCH	DWG #
		092-3022