

SPECIFICATION SHEET

JFW MODEL 50S-1972

1P8T SELF TERMINATING SOLID STATE RF SWITCH

JFW Industries, Inc.
Phone: 317-887-1340
sales@jfwindustries.com
www.jfwindustries.com

Frequency Range 5-3000 MHz

Configuration 1P8T Self Terminating

Impedance 50 Ohms nominal

VSWR 1.3:1 typical 5-3000MHz
1.5:1 maximum 5-3000MHz

Insertion Loss 2.5 dB typical 5-3000MHz
3.5 dB maximum 5-3000MHz

Isolation 80 dB minimum 5-1000 MHz
70 dB minimum 1000-2000 MHz
60 dB minimum 2000-3000 MHz

Switching Speed 10 microseconds
(50% TTL to 10% or 90% RF)

RF Input Power +10 dBm average 5-20MHz
+20 dBm average 20-100 MHz
+30 dBm average 100-3000 MHz

Control Logic (4 Lines) Binary coded per 092-3658
TTL "High" (2.0-5.0V)
TTL "Low" (0-0.8V)

DC Supply +5 Vdc @ 100 mA nominal
and
+24 Vdc @ 300 mA nominal

Repeatability ± 0.05 dB typical

MTBF 226,017 hours

DC Connector 10 Pin 3M #3793-5303
(mates with 3M #3473-7010)

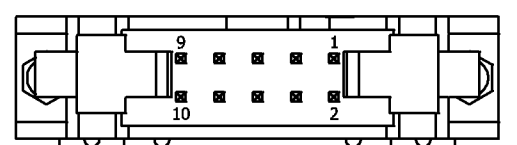
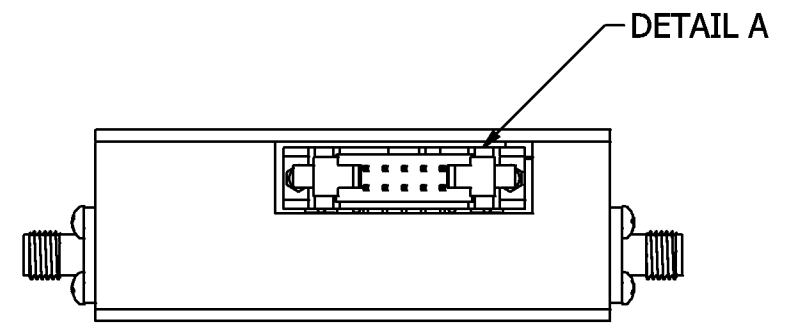
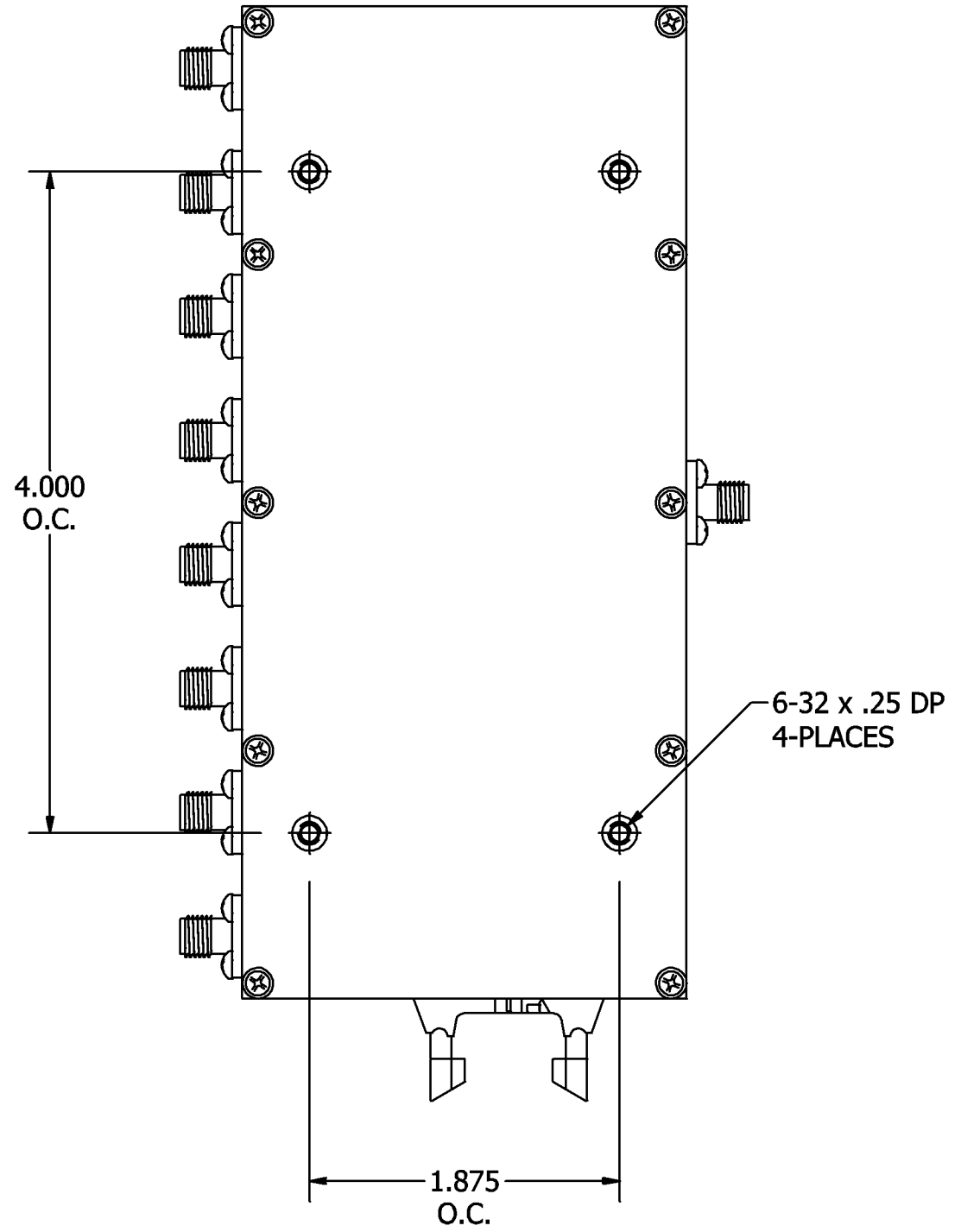
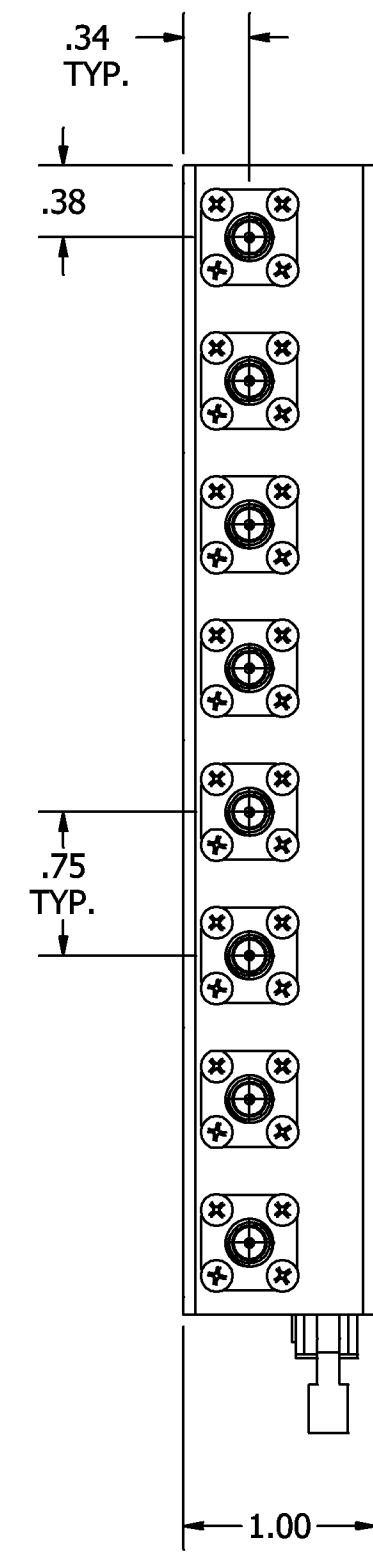
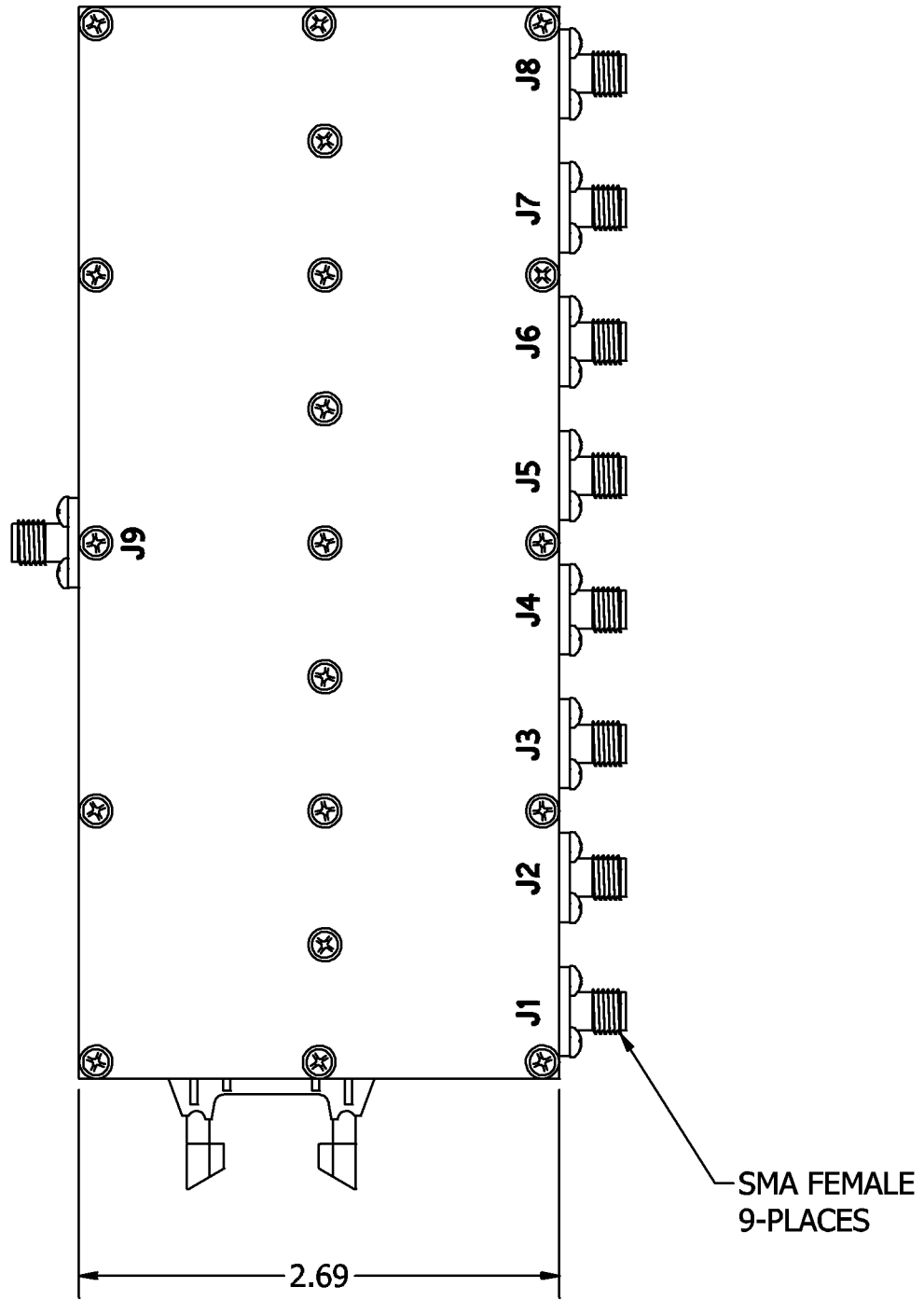
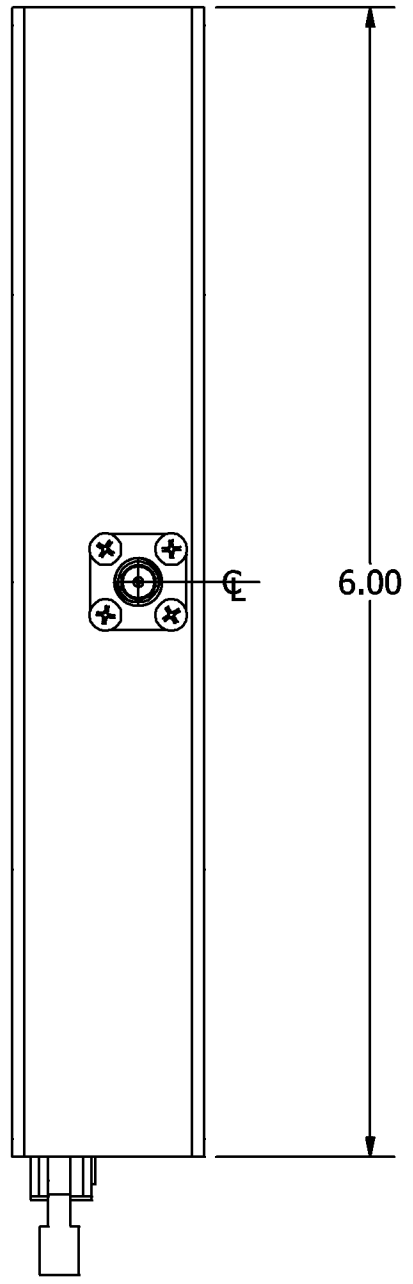
RF Connector SMA female

Operating Temperature Range 0°C to +70°C

Storage Temperature Range -55°C to +90°C

Physical Size See outline drawing 092-3658

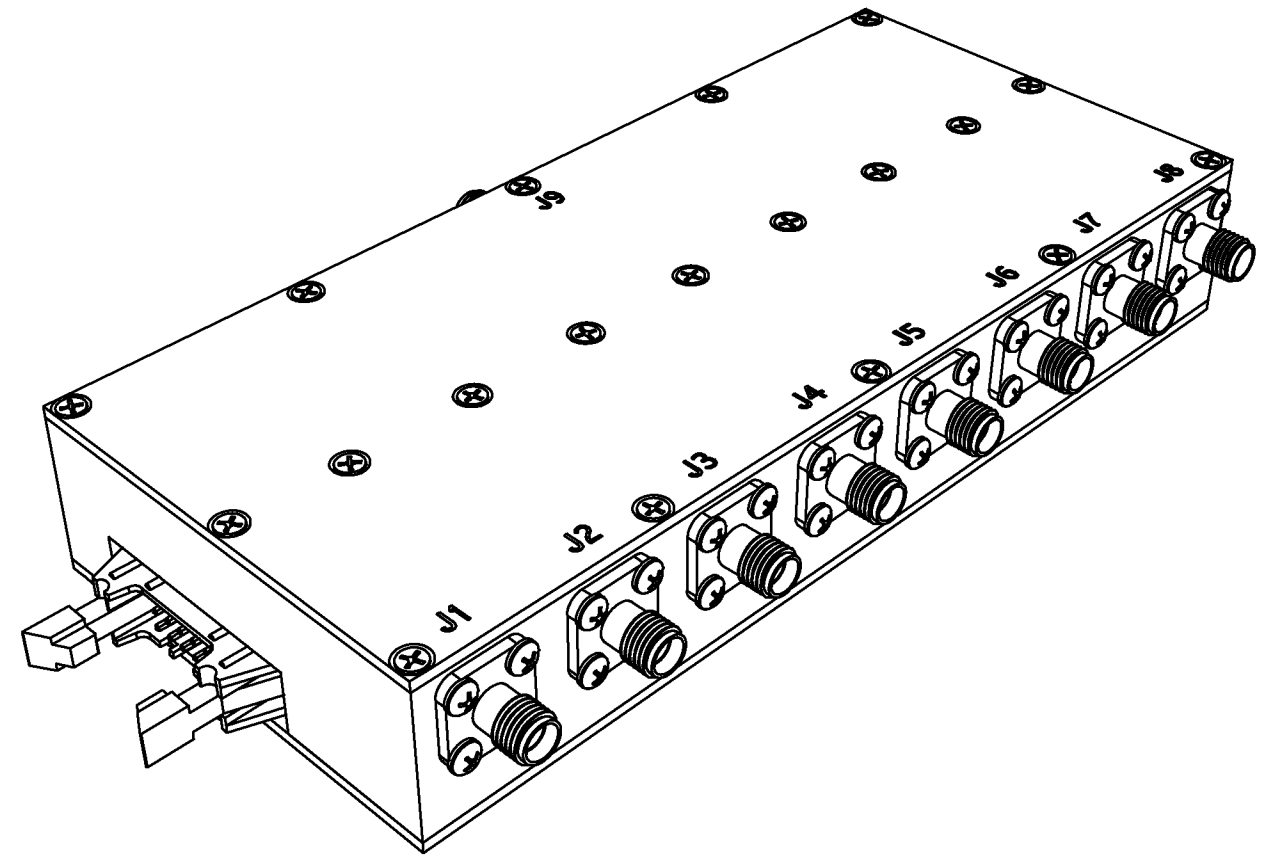
ECR/ECN #	DATE	REV	APPR / DATE	ECR/ECN #	DATE	REV	APPR / DATE
	03/19/2012		BAC 03/19/2012	24968	02/19/2015	C	TRS 02/19/2015
21673	06/21/2012	A	CLK 06/21/2012				
24944	02/17/2015	B	TRS 02/17/2015				



DETAIL A
3M# 3793-5303

PIN	FUNCTION
1	CONTROL 1
2	NO CONNECTION
3	CONTROL 2
4	NO CONNECTION
5	CONTROL 3
6	+XX Vdc
7	CONTROL 4
8	+5 Vdc
9	NO CONNECTION
10	GROUND

J9 TO:	C1	C2	C3	C4
NONE	0	0	0	0
J1	1	0	0	0
J2	0	1	0	0
J3	1	1	0	0
J4	0	0	1	0
J5	1	0	1	0
J6	0	1	1	0
J7	1	1	1	0
J8	0	0	0	1



REV	ECN	DATE	BY	APPR		
-	ISSUED	4-23-01	CB	TEZ		
A	7060	4-4-02	CMB	TEZ		
B	7422	3-21-03	BZ	TEZ		
C	7808	4-13-04	TEZ	TEZ		
D	22519	2-18-13	JZ	BZ		
E	24444	11-30-15	JZ	TEZ		
F	30884	1-15-21	JZ	BAC		
G	31332	9-1-21	GM	JZ		
					MATERIAL	ALUMINUM ALLOY
					FINISH	ELECTROLESS NICKEL
					MODEL	50S-XXXX
					DESCRIPTION	1P8T SWITCH
					SCALE	FULL
					PROPRIETARY INFORMATION	
					ALL SURFACES ARE TO BE FREE OF BURRS, PITS & SCRATCHES	
					TOLERANCES .XX±.010 .XXX±.005 .XX°±.5°	
					DWG# 092-3658	



JFW INDUSTRIES, INC.
www.jfwindustries.com PH: 317-887-1340