

ADAPTERS

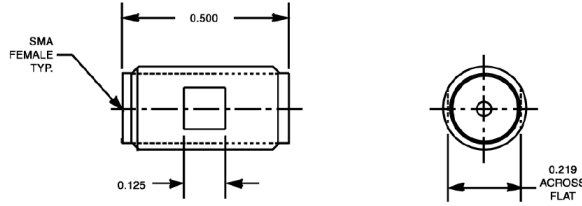


Adapters

Adapters SMA

5191CC

Female to female adapter

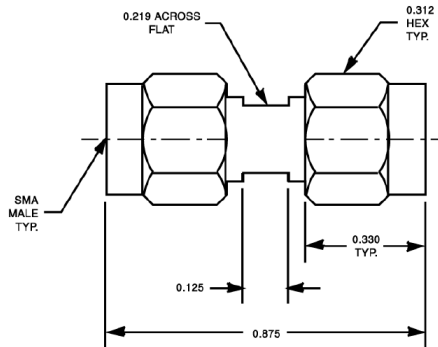


Tensolite Part Number	Max. VSWR DC - 18.0 GHz
5191CC	1.05 + .005 fGHz

Center conductor is captivated.
Standard units are gold finish.

5390CC

Male to male adapter

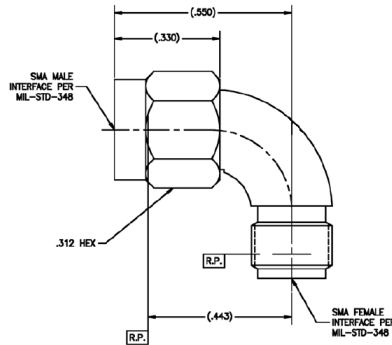


Tensolite Part Number	Max. VSWR DC - 18.0 GHz
5390CC	1.05 + .005 fGHz

Center conductor is captivated.
Standard units are gold finish.

5490

Radius right angle male to female adapter

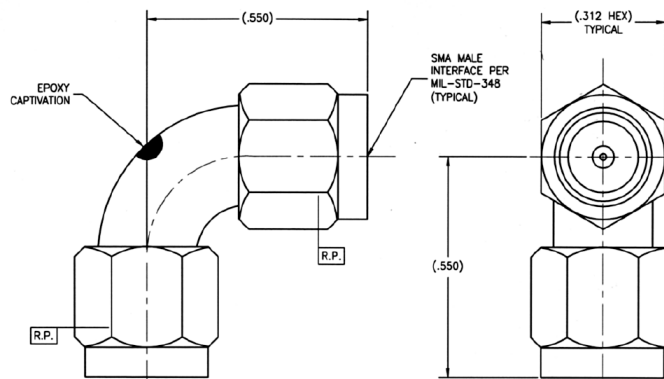


Tensolite Part Number	Epoxy Captivation
5490	Not required
5490CC	Required
5490CCSF	Required
5490SF	Not required

Standard units are gold finish.
Add suffix CC to Part No. for captivated contact.

5065CC

Male to female adapter (Connector Saver)



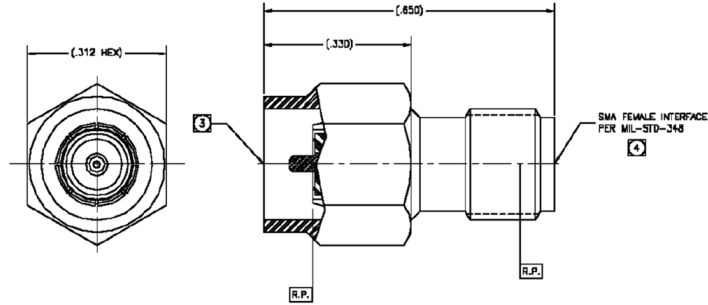
Tensolite Part Number	Epoxy Captivation
5065	Not required
5065CC	Required
5065CCSF	Required
5065SF	Not required

Standard units are gold finish.
Add suffix CC to Part No. for captivated contact.

Adapters SMA

5299CC

Male to female adapter (Connector Saver)

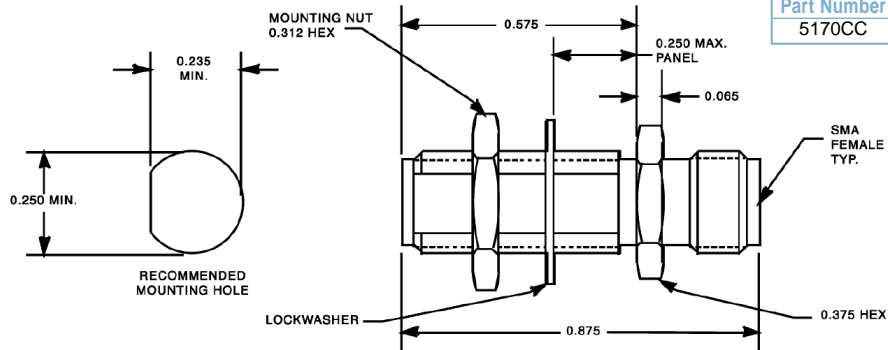


Tensolite Part Number	Max. VSWR DC - 18.0 GHz
5299CC	1.05 + .005 fGHz

Center conductor is captivated. Standard units are gold finish.

5170CC

Female to female adapter bulkhead feedthrough

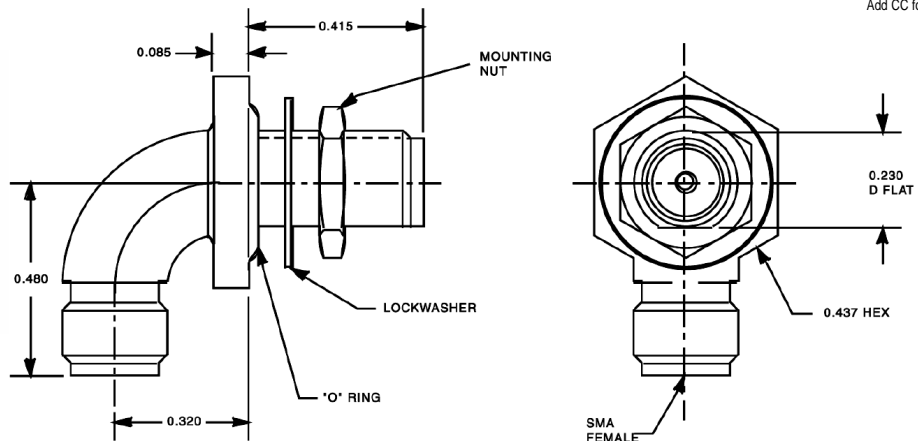


Tensolite Part Number	Max. VSWR DC - 18.0 GHz
5170CC	1.05 + .005 fGHz

Center conductor is captivated. Standard units are gold finish.

5135

Radius right angle female to female adapter bulkhead feedthrough



Tensolite Part Number	Max. VSWR DC - 18.0 GHz
5135	1.06 + .005 fGHz

Center conductor is captivated. Standard units are gold finish. Add CC for captivated contact

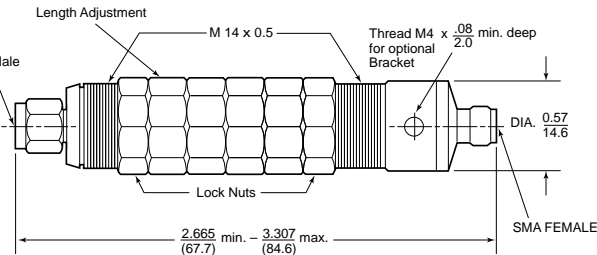
Adapters SMA

5018CCSF

Female to male phase adjustable adapter

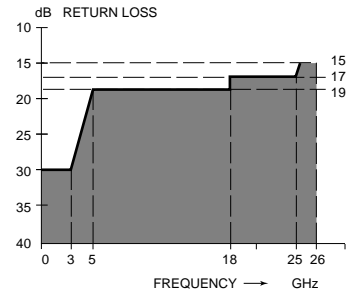
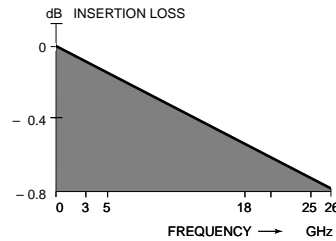
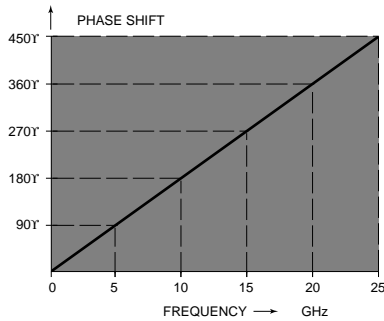


The Tensolite Model 5018CCSF is a coaxial phase shift adapter, inserted in an SMA^{MA}-Male terminated line to electrically separate the other components. These bi-directional "line stretchers" travel length is 0.6 in. (15.3 mm) electrically and mechanically. Lock nuts retain the calibrated phase adjustment, and 50 ohms impedance is maintained over the range.



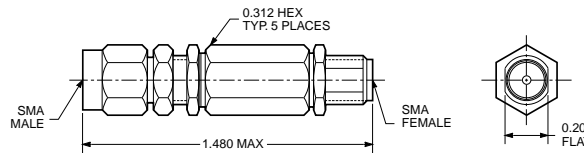
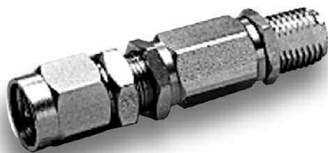
Tensolite Part Number	Max. VSWR DC - 18.0 GHz
5018CCSF	See graph below

Center conductor is captivated.
Standard finish is passivated.



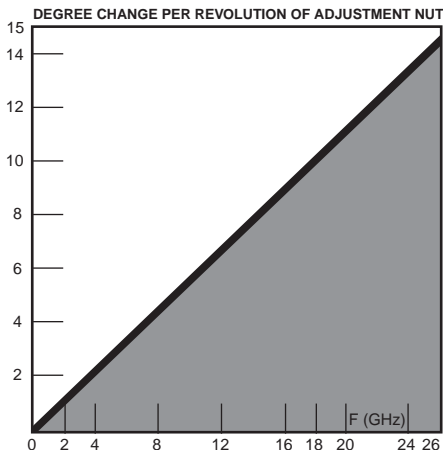
5998CCSF

Female to Male Phase Adjustable Adapter

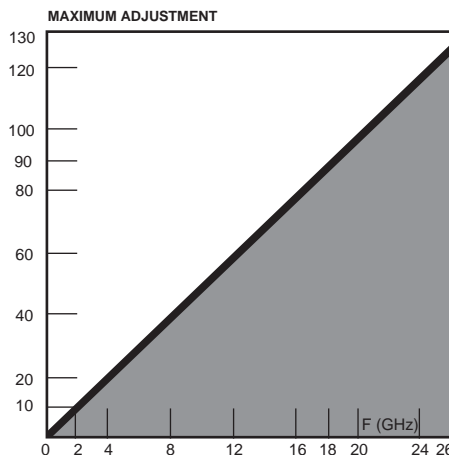


Tensolite Part Number	Max. VSWR DC - 18.0 GHz
5998CCSF	1.05 + .008 fGHz

Center conductor is captivated.
Standard finish is passivated.



Physical length change per revolution of adjustment nut: .018 inch
Electrical length change per revolution of adjustment nut: .0127



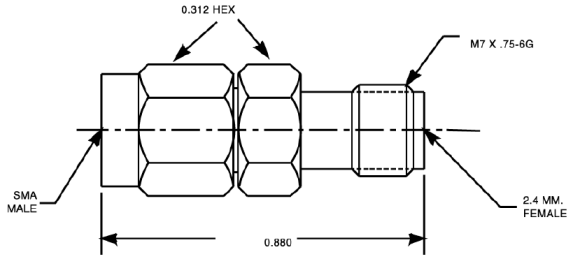
Max. change in physical length: .160 .010 inch of air.
Max. change in electrical length: .113 .007 inch of PTFE.

The Tensolite Model 5998 coaxial phase shift adapter mates in-series with SMA Male and Female connectors, and allows resettable phase adjustments (up to 126 deg. @ 26 GHz) to alter the electrical distance between other components in cable/connector RF lines. Insertion loss is $.05 \times \sqrt{F}$ (GHz), and 50 ohms impedance is maintained over the adjustment range. The 5998 incorporates a positive locking mechanism for calibration accuracy.

Adapters SMA

5016CCSF

SMA male to 2.4 mm female adapter
frequency: DC-24.0 GHz

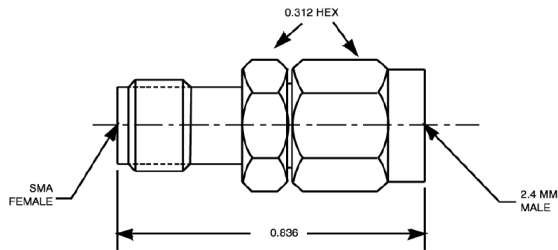


Tensolite Part Number	Max. VSWR DC - 18.0 GHz
5016CCSF	1.12:1

Center conductor is captivated.
Standard finish is passivated.

5014CCSF

SMA female to 2.4 mm male adapter
frequency: DC-24.0 GHz

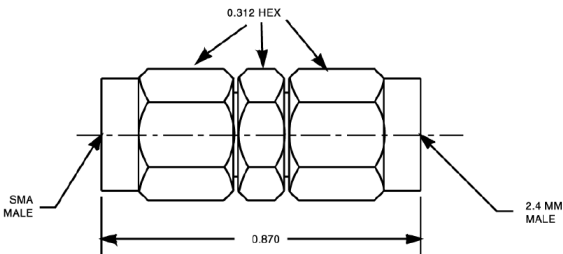


Tensolite Part Number	Max. VSWR DC - 18.0 GHz
5014CCSF	1.12:1

Center conductor is captivated.
Standard finish is passivated.

5015CCSF

SMA male to 2.4 mm male adapter
frequency: DC-24.0 GHz

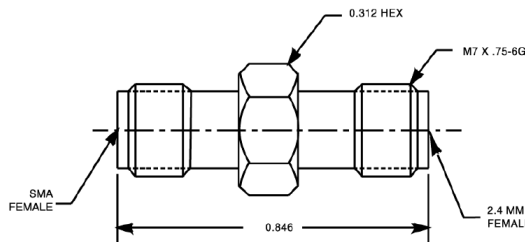


Tensolite Part Number	Max. VSWR DC - 18.0 GHz
5015CCSF	1.12:1

Center conductor is captivated.
Standard finish is passivated.

5017CCSF

SMA female to 2.4 mm female adapter
frequency: DC-24.0 GHz



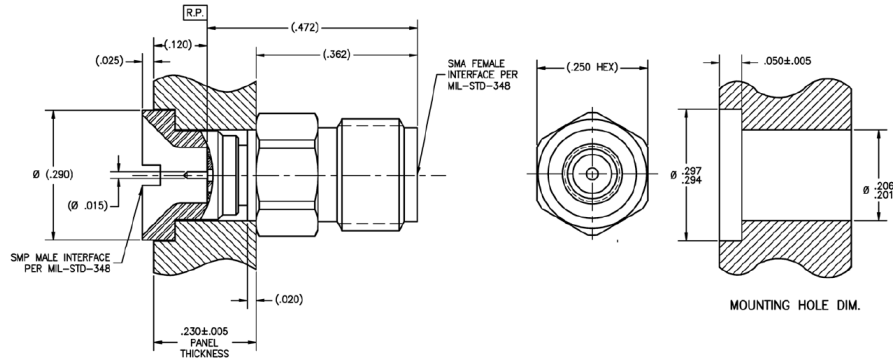
Tensolite Part Number	Max. VSWR DC - 18.0 GHz
5017CCSF	1.12:1

Center conductor is captivated.
Standard finish is passivated.

Adapters SMP

P802-1CC

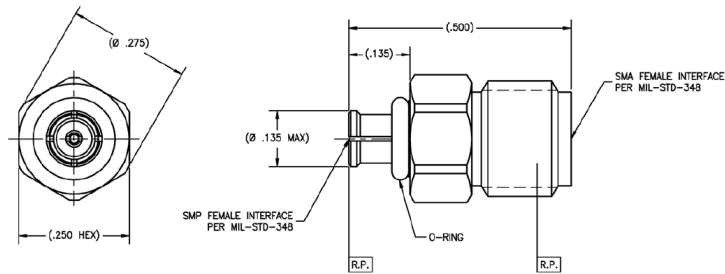
SMP male (catcher's mitt) to SMA female straight adapter



Center conductor is captivated.
Standard units are gold finish.

P819-1CC

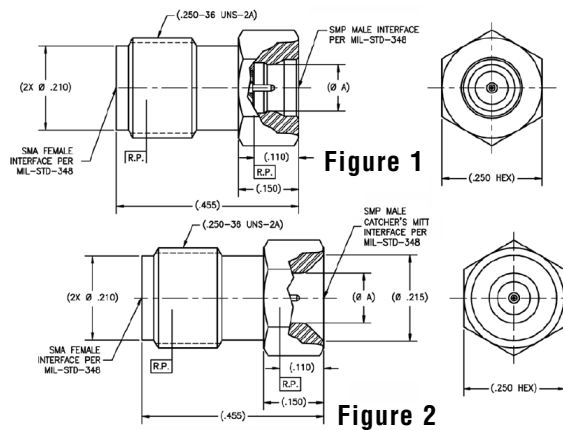
SMP female to SMA female straight adapter



Center conductor is captivated.
Standard units are gold finish.

P823

SMP male to SMA female straight adapter

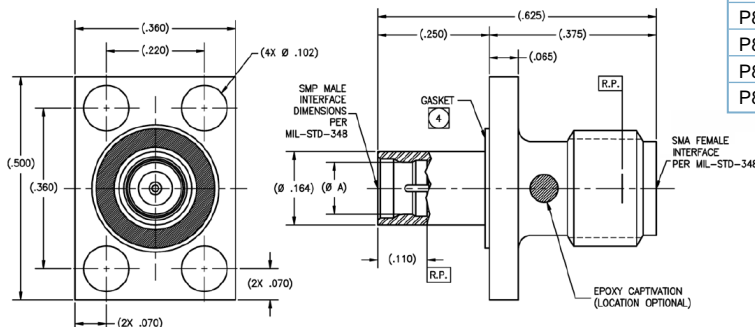
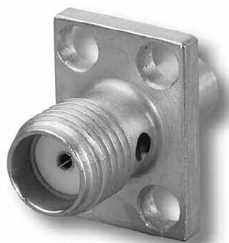


Tensolite Part No.	(ØA)	Interface	Fig.
P823-1CC	.116	Full Detent	1
P823-2CC	.120	Limited Detent	1
P823-3CC	.125	Smooth Bore	1
P823-4CC	.125	Catcher's Mitt	2

Center conductor is captivated.
Standard units are gold finish.

P825

SMP male 4 hole flange mount to SMA female straight adapter (w/gasket)



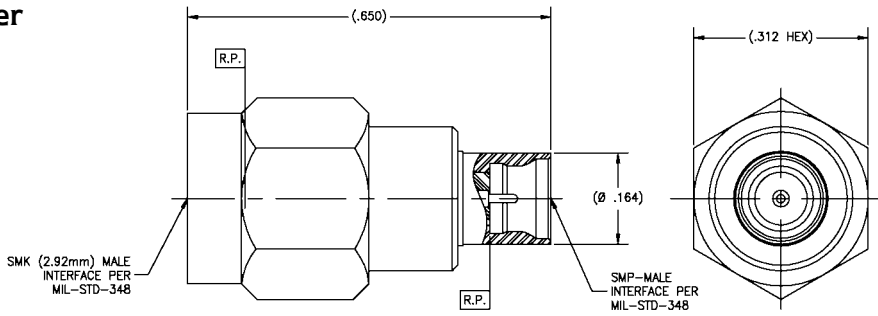
Tensolite Part Number	(ØA)	Interface
P825-1CCSF	.116	Full Detent
P825-1CC	.116	Full Detent
P825-2CCSF	.120	Limited Detent
P825-2CC	.120	Limited Detent
P825-3CCSF	.125	Smooth Bore
P825-3CC	.125	Smooth Bore

Center conductor is captivated.
SF designates passivated finish.
Standard units are gold finish.

Adapters SMP

P902

SMP male to SMK (2.92 mm) male straight adapter

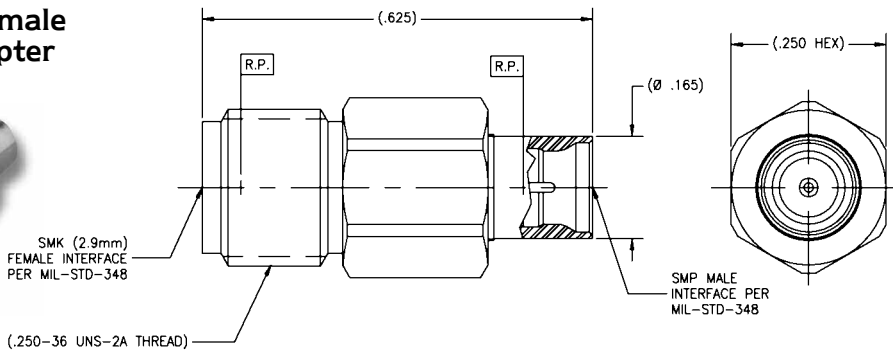


Tensolite Part Number	Interface
P902-1CCSF	Limited Detent
P902-2CCSF	Smooth Bore
P902-3CCSF	Full Detent

Center conductor is captivated.
Standard finish is passivated.

P903

SMP male to SMK (2.92mm) female straight adapter

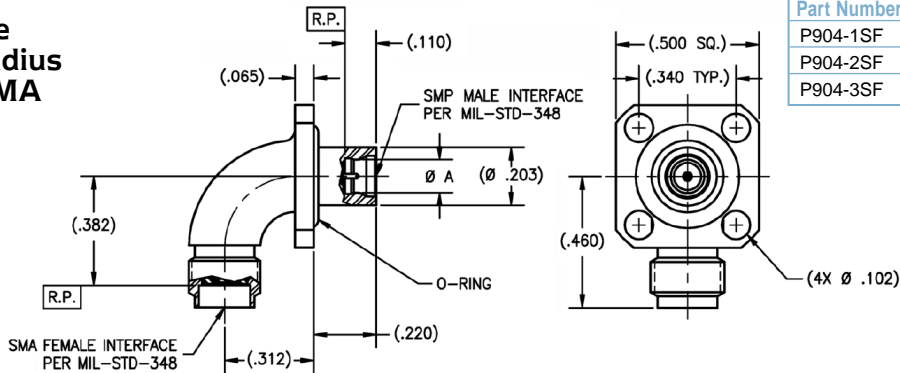


Tensolite Part Number	Interface
P903-1CCSF	Limited Detent
P903-2CCSF	Smooth Bore
P903-3CCSF	Full Detent

Center conductor is captivated.
Standard finish is passivated.

P904

SMP male 4 hole flange mount right angle to SMA female adapter

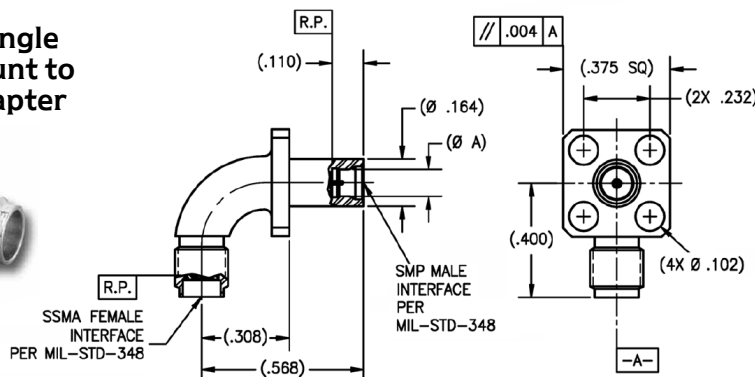


Tensolite Part Number	(ØA)	Interface
P904-1SF	(.116)	Full Detent
P904-2SF	(.120)	Limited Detent
P904-3SF	(.125)	Smooth Bore

Center conductor is captivated.
Standard finish is passivated.

P905

SMP male right angle 4 hole flange mount to SSMA female adapter



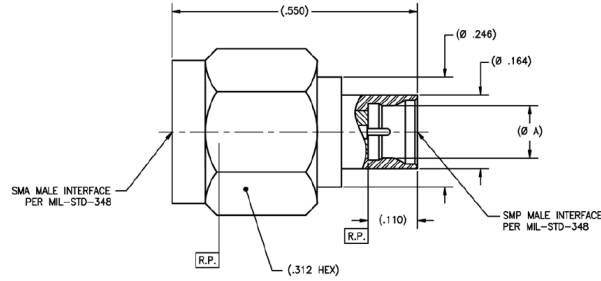
Tensolite Part Number	(ØA)	Interface
P905-1CC	(.116)	Full Detent
P905-2CC	(.120)	Limited Detent
P905-3CC	(.125)	Smooth Bore

Center conductor is captivated.
Standard finish is passivated.

Adapters SMP

P906

SMP male to SMA male straight adapter

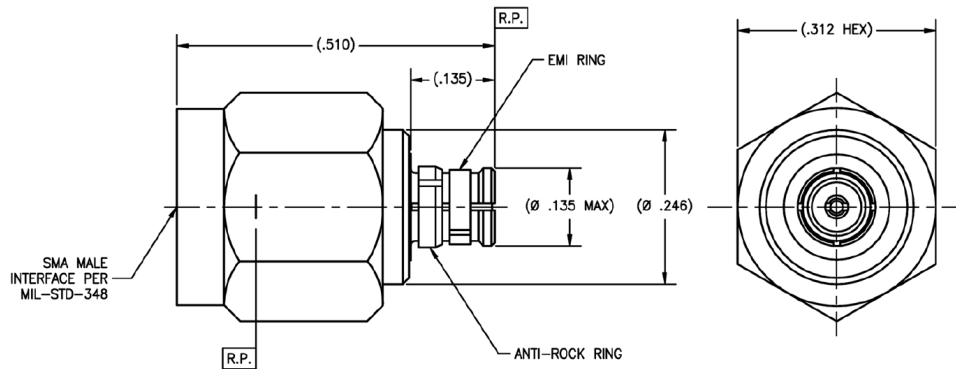


Tensolite Part Number	(ØA)	Interface
P906-1CCSF	(.120)	Limited Detent
P906-2CCSF	(.125)	Smooth Bore
P906-3CCSF	(.116)	Full Detent

Center conductor is captivated.
Standard finish is passivated.

P907-1CCSF

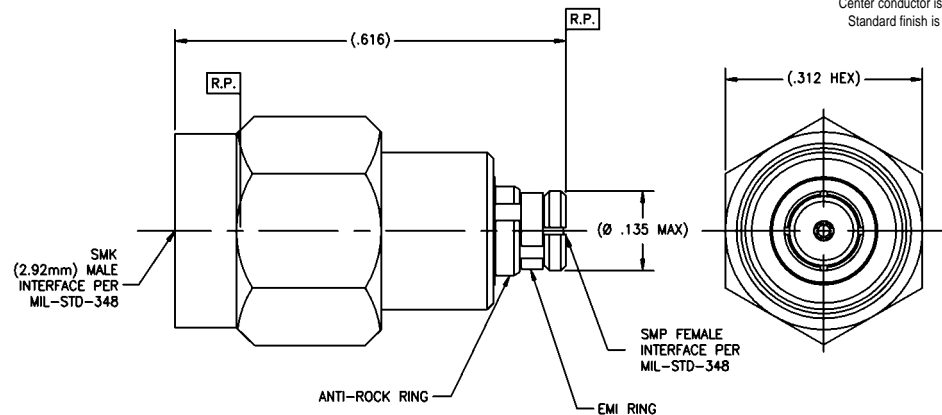
SMP female to SMA male straight adapter



Center conductor is captivated.
Standard finish is passivated.

P908-1CCSF

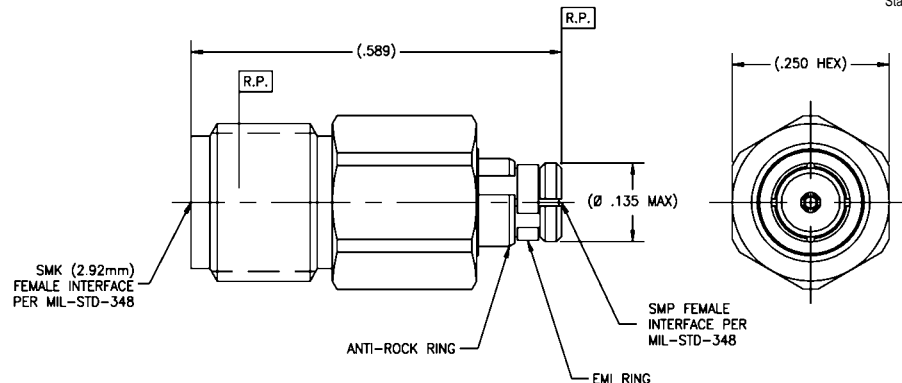
SMP female to SMK (2.92mm) male straight adapter



Center conductor is captivated.
Standard finish is passivated.

P909-1CCSF

SMP female to SMK (2.92mm) female straight adapter

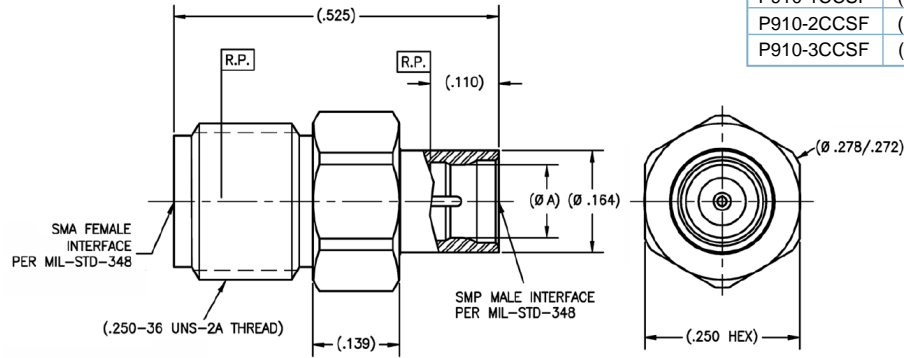


Center conductor is captivated.
Standard finish is passivated.

Adapters SMP

P910

SMP male to SMA female straight adapter

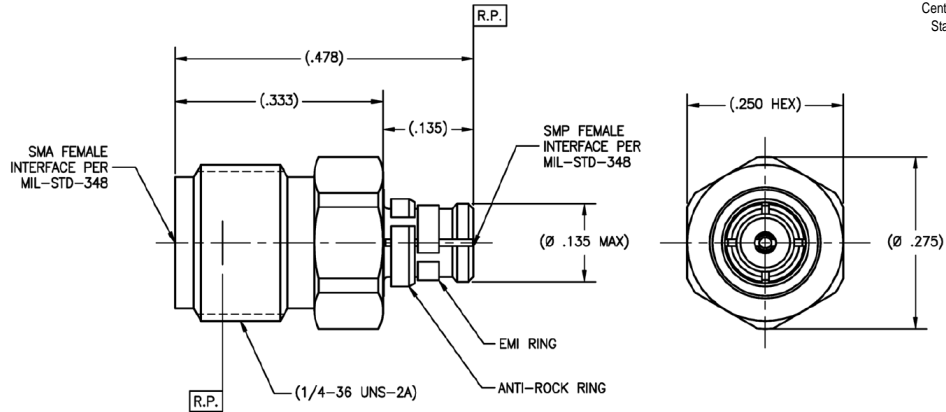


Tensolite Part Number	($\varnothing A$)	Interface
P910-1CCSF	(.120)	Limited Detent
P910-2CCSF	(.125)	Smooth Bore
P910-3CCSF	(.116)	Full Detent

Center conductor is captivated.
Standard finish is passivated.

P911-1CCSF

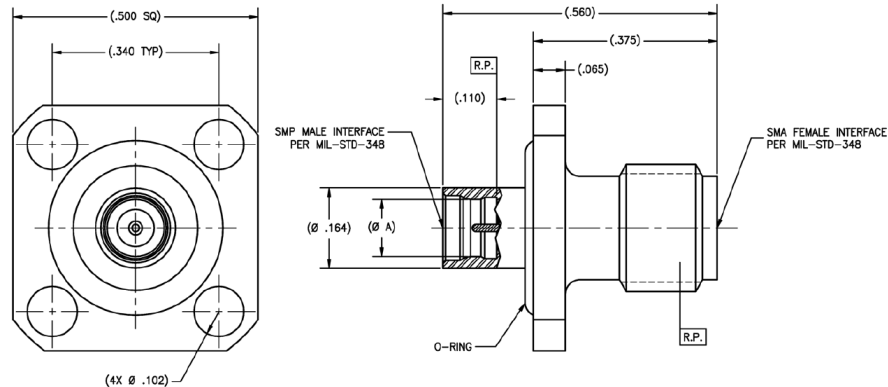
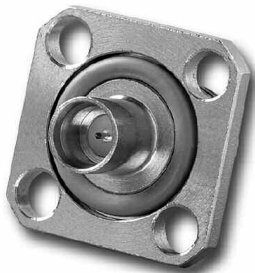
SMP female to SMA female straight adapter



Center conductor is captivated.
Standard finish is passivated.

P920

SMP male 4 hole flange mount to SMA female straight adapter (w/O-ring)



Tensolite Part Number	($\varnothing A$)	Interface
P920-1CCSF	(.116)	Full Detent
P920-2CCSF	(.120)	Limited Detent
P920-3CCSF	(.125)	Smooth Bore

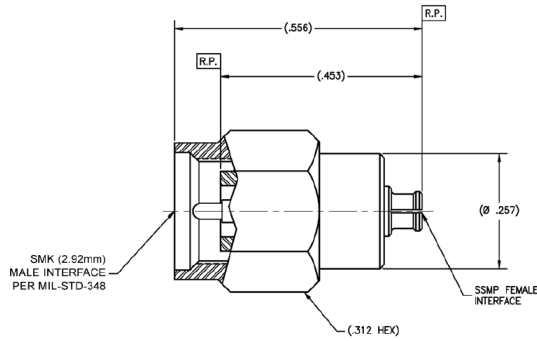
Center conductor is captivated.
Standard finish is passivated.

Adapters SSMP

SSMP Adapters

P123-1CCSF

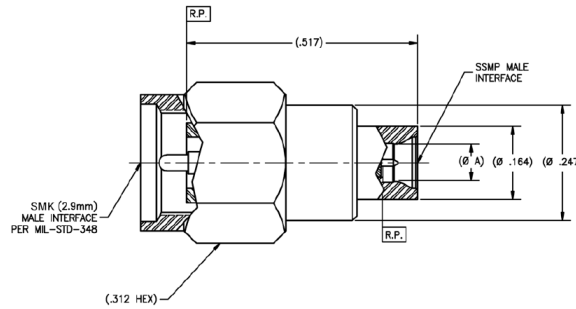
SSMP female SMK (2.92mm) male straight adapter



Center conductor is captivated.
Standard finish is passivated.

P124

SSMP male SMK (2.92MM) male straight adapter

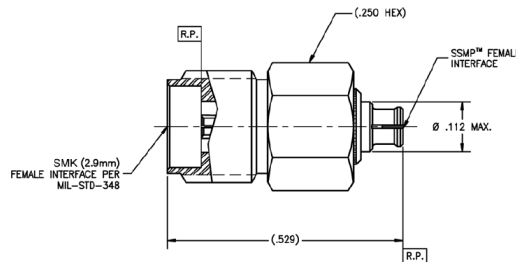


Tensolite Part Number	(ØA)	Interface
P124-1CCSF	(.085)	Full Detent
P124-2CCSF	(.088)	Non-Detent

Center conductor is captivated.
Standard finish is passivated.

P125-1CCSF

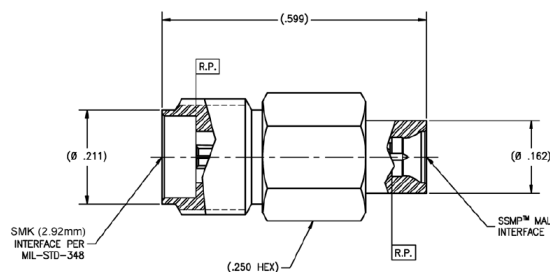
SSMP female to SMK (2.92mm) female straight adapter



Center conductor is captivated.
Standard finish is passivated.

P126

SSMP male to SMK (2.92mm) female straight adapter

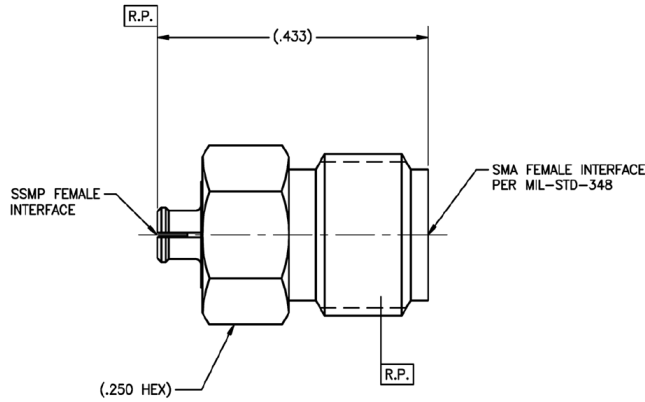


Tensolite Part Number	Interface
P126-1CCSF	Detent
P126-2CCSF	Non-detent

Center conductor is captivated.
Standard finish is passivated.

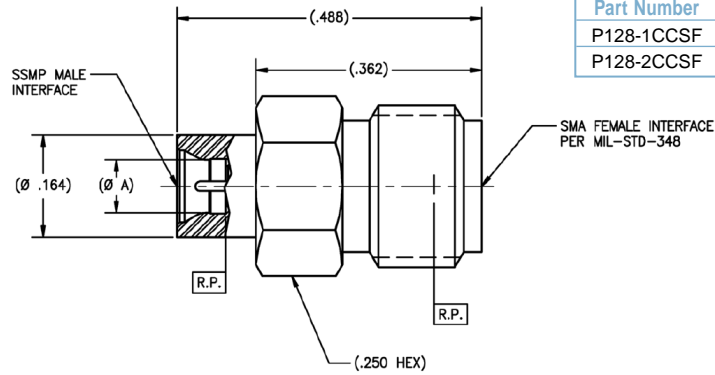
Adapters SSMP

P127-1CCSF SSMP female to SMA female straight adapter



Center conductor is captivated.
Standard finish is passivated.

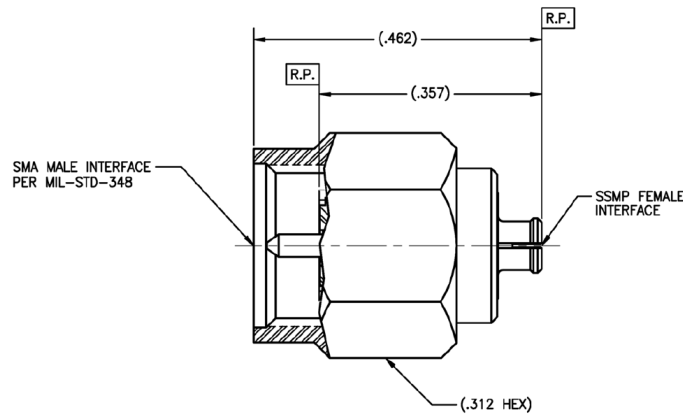
P128 SSMP male to SMA female straight adapter



Tensolite Part Number	(ØA)	Interface
P128-1CCSF	(.085)	Detent
P128-2CCSF	(.088)	Non-detent

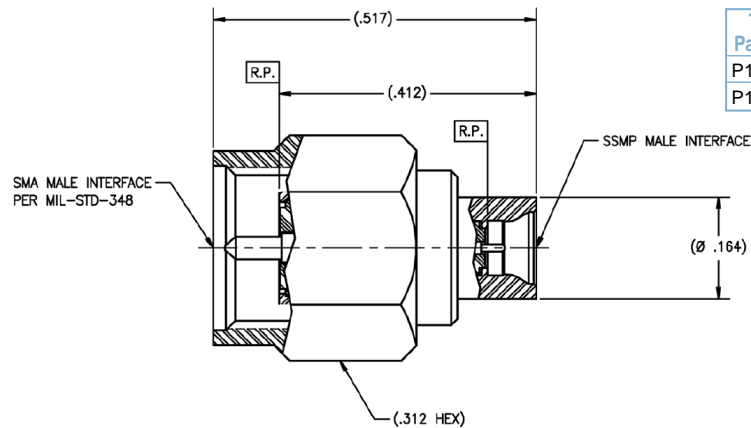
Center conductor is captivated.
Standard finish is passivated.

P129-1CCSF SSMP female to SMA male straight adapter



Center conductor is captivated.
Standard finish is passivated.

P130 SSMP male to SMA male straight adapter



Tensolite Part Number	Interface
P130-1CCSF	Detent
P130-2CCSF	Non-detent

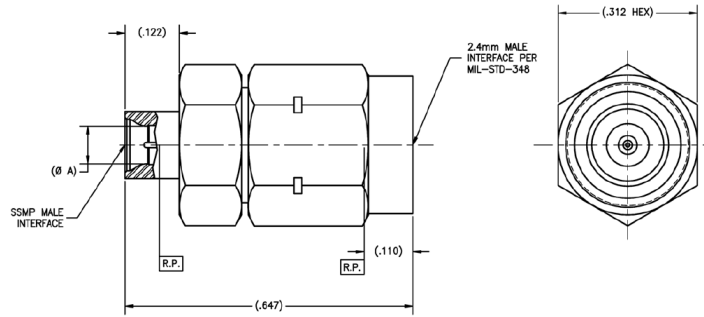
Center conductor is captivated.
Standard finish is passivated.

Adapters SSMP

SSMP Adapters

P139

SSMP male to 2.4mm male straight adapter

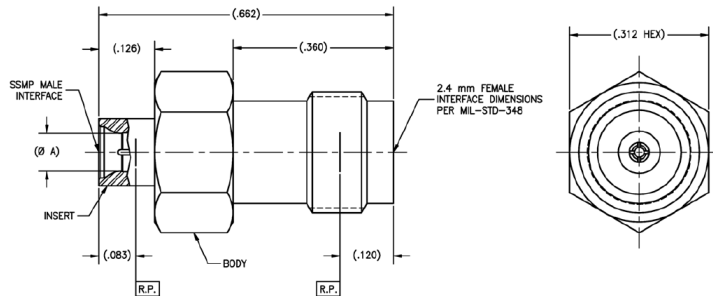


Tensolite Part Number	(ØA)	Interface
P139-1CC	.085	Detent
P139-1CCSF	.085	Detent
P139-2CC	.085	Smooth Bore
P139-2CCSF	.085	Smooth Bore

SF designates passivated finish.
Standard units are gold finish.

P141

SSMP male to 2.4 mm female straight adapter



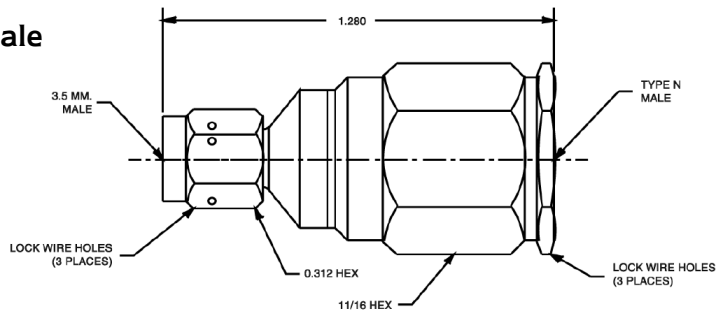
Tensolite Part Number	(ØA)	Interface
P141-1CC	.085	Detent
P141-1CCSF	.085	Detent
P141-2CC	.088	Non-detent
P141-2CCSF	.088	Non-detent

SF designates passivated finish.
Standard units are gold finish.

Adapters Type N Between Series - 3.5 mm, SMA, TNC

5029CCSF

N male to 3.5 mm male adapter

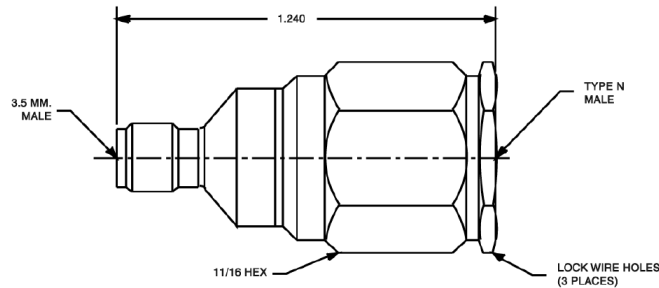


Tensolite Part Number	Max. VSWR DC-18.0 fGHz
5029CCSF	1.08 + .007 fGHz

Center conductor is captivated.
Standard finish is passivated.

5030CCSF

N male to 3.5 mm female adapter

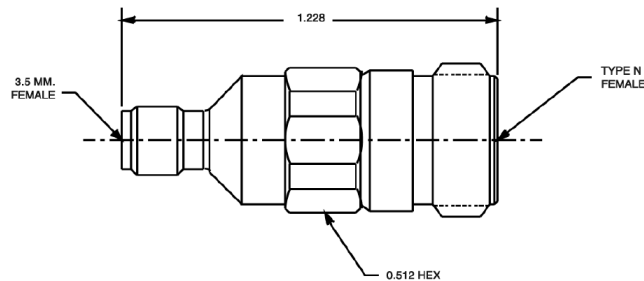


Tensolite Part Number	Max. VSWR DC-18.0 fGHz
5030CCSF	1.08 + .007 fGHz

Center conductor is captivated.
Standard finish is passivated.

5027CCSF

N female to 3.5 mm female adapter

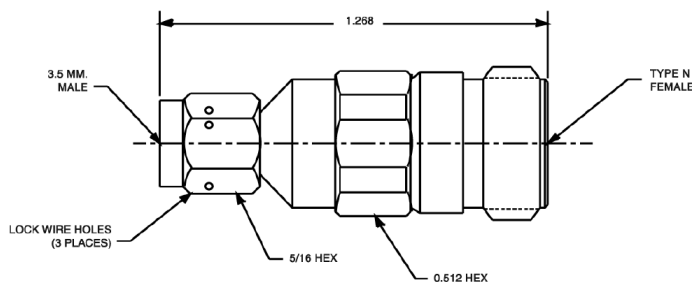


Tensolite Part Number	Max. VSWR DC-18.0 fGHz
5027CCSF	1.08 + .007 fGHz

Center conductor is captivated.
Standard finish is passivated.

5028CCSF

N female to 3.5 mm male adapter



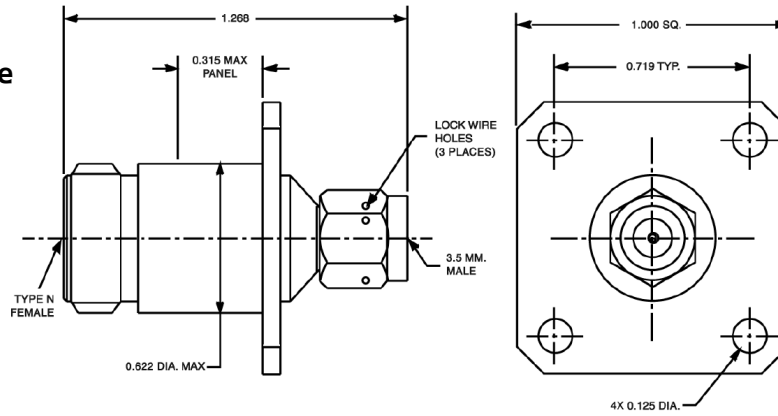
Tensolite Part Number	Max. VSWR DC-18.0 fGHz
5028CCSF	1.08 + .007 fGHz

Center conductor is captivated.
Standard finish is passivated.

Adapters Type N Between Series - 3.5 mm, SMA, TNC

5039CCSF

N female to 3.5 mm male adapter, flange mount



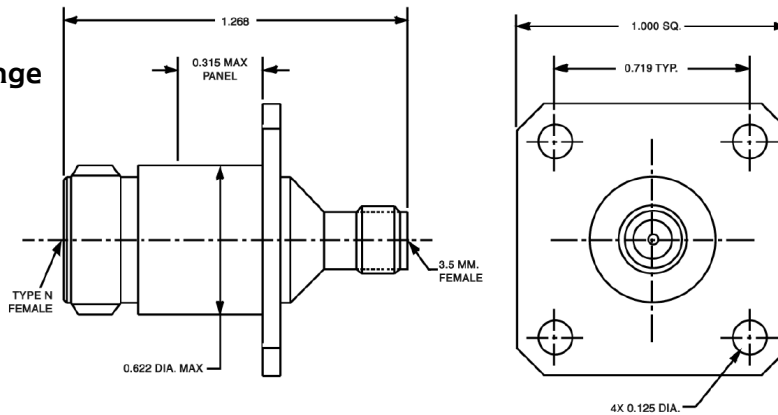
Tensolite Part Number	Max. VSWR DC-18.0 fGHz
5039CCSF	1.08 + .007 fGHz

Center conductor is captivated.
Standard finish is passivated.

Type N Between Series Adapters

5040CCSF

N female to 3.5 mm female adapter, flange mount

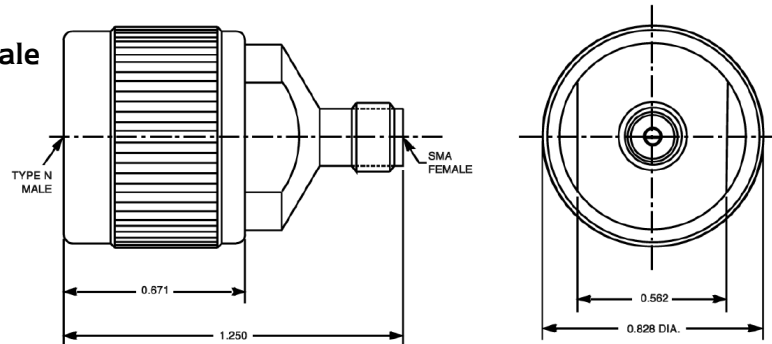


Tensolite Part Number	Max. VSWR DC-18.0 fGHz
5040CCSF	1.08 + .007 fGHz

Center conductor is captivated.
Standard finish is passivated.

5004CCSF

N male to SMA female adapter

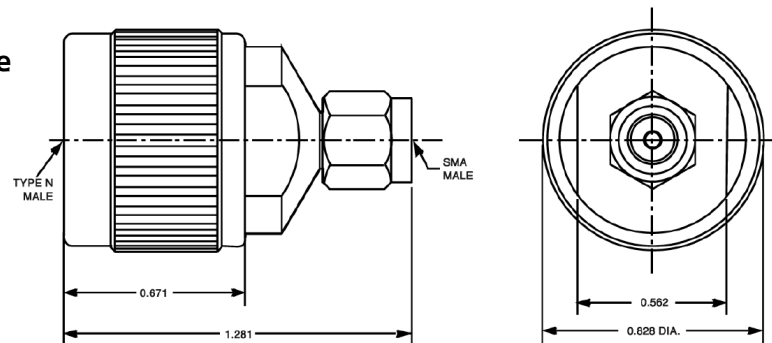


Tensolite Part Number	Max. VSWR DC-18.0 fGHz
5004CCSF	1.06 + .005 fGHz

Center conductor is captivated.
Standard finish is passivated.

5006CCSF

N male to SMA male adapter



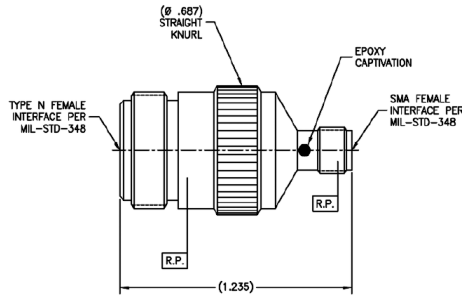
Tensolite Part Number	Max. VSWR DC-18.0 fGHz
5006CCSF	1.06 + .005 fGHz

Center conductor is captivated.
Standard finish is passivated.

Adapters Type N Between Series - 3.5 mm, SMA, TNC

5008CCSF

N female to SMA female adapter

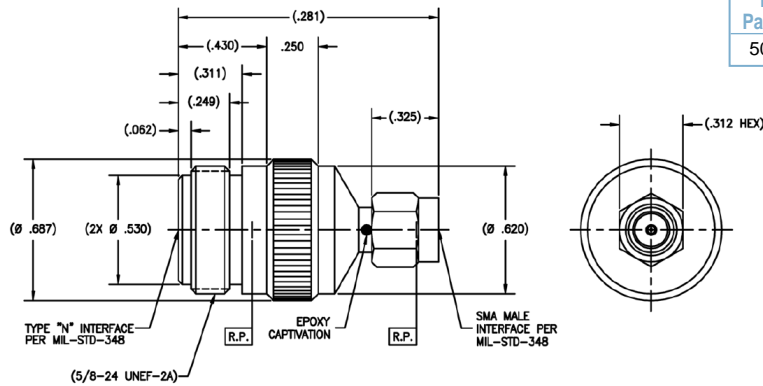


Tensolite Part Number	Max. VSWR DC-18.0 fGHz
5008CCSF	1.06 + .005 fGHz

Center conductor is captivated.
Standard finish is passivated.

5010CCSF

N female to SMA male adapter

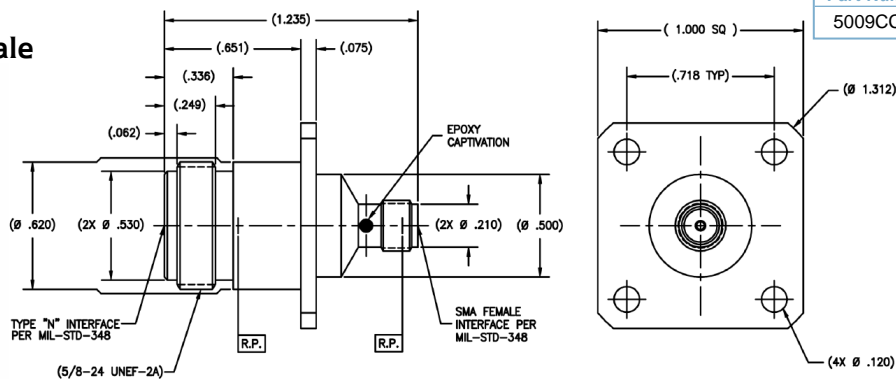


Tensolite Part Number	Max. VSWR DC-18.0 fGHz
5010CCSF	1.06 + .005 fGHz

Center conductor is captivated.
Standard finish is passivated.

5009CCSF

Flange mount N female to SMA female

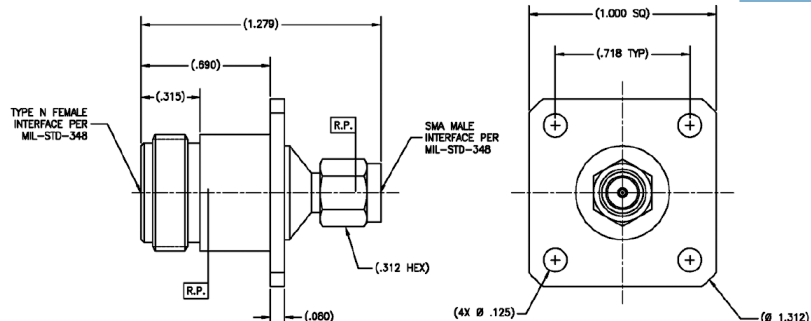


Tensolite Part Number	Max. VSWR DC-18.0 fGHz
5009CCSF	1.06 + .005 fGHz

Center conductor is captivated.
Standard finish is passivated.

5012CCSF

Flange mount N female to SMA male



Tensolite Part Number	Max. VSWR DC-18.0 fGHz
5012CCSF	1.06 + .005 fGHz

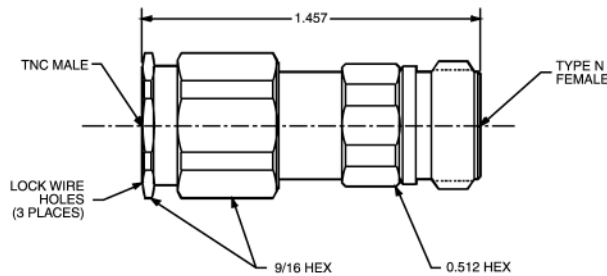
Center conductor is captivated.
Standard finish is passivated.

Type N Adapters

Adapters Type N Between Series - 3.5 mm, SMA, TNC

5013CCSF

TNC male to type N female adapter

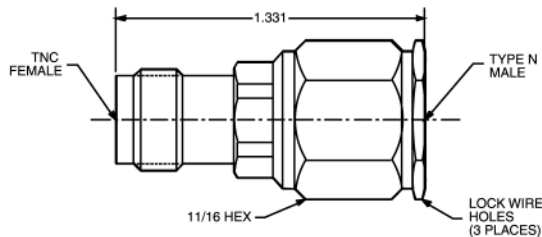


Tensolite Part Number	Max. VSWR DC-18.0 GHz
5013CCSF	1.09 + .008 fGHz

Center conductor is captivated.
Standard finish is passivated.

5034CCSF

TNC female to type N male adapter

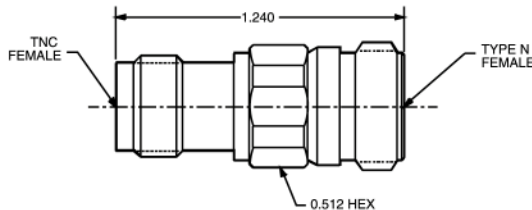


Tensolite Part Number	Max. VSWR DC-18.0 GHz
5034CCSF	1.09 + .008 fGHz

Center conductor is captivated.
Standard finish is passivated.

5035CCSF

TNC female to type N female adapter

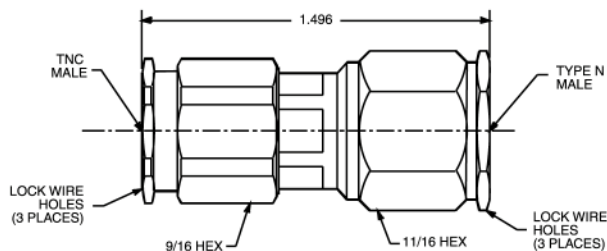


Tensolite Part Number	Max. VSWR DC-18.0 GHz
5035CCSF	1.09 + .008 fGHz

Center conductor is captivated.
Standard finish is passivated.

5033CCSF

N male to TNC male adapter



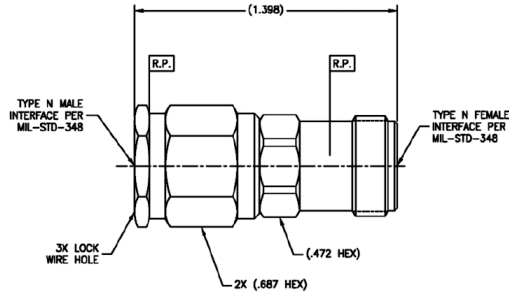
Tensolite Part Number	Max. VSWR DC-18.0 GHz
5033CCSF	1.09 + .008 fGHz

Center conductor is captivated.
Standard finish is passivated.

Adapters Type N In-Series Adapters

8036CCSF

N Male to female adapter

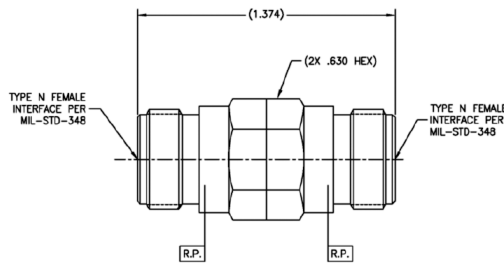


Tensolite Part Number	Max. VSWR DC - 18.0 GHz
8036CCSF	1.09 + .008 fGHz

Center conductor is captivated.
Standard finish is passivated.

8037CCSF

N Female to female adapter

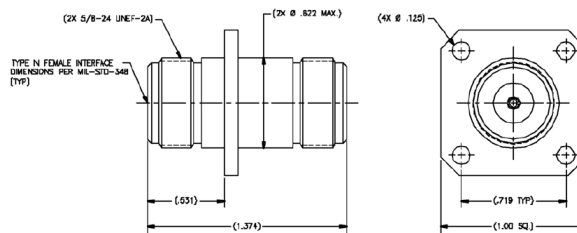


Tensolite Part Number	Max. VSWR DC - 18.0 GHz
8037CCSF	1.09 + .008 fGHz

Center conductor is captivated.
Standard finish is passivated.

8038CCSF

N Female to female adapter, flange mount

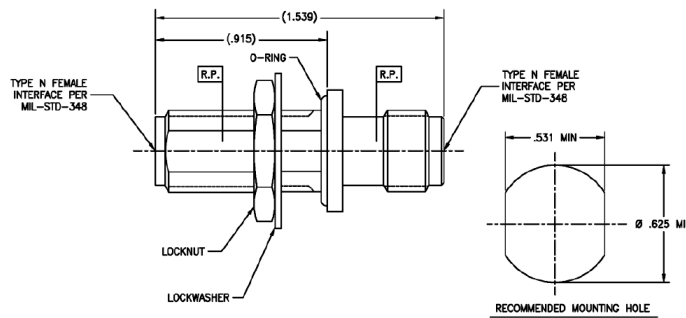


Tensolite Part Number	Max. VSWR DC - 18.0 GHz
8038CCSF	1.09 + .008 fGHz

Center conductor is captivated.
Standard finish is passivated.

8020CCSF

N Female to female adapter, bulkhead feedthrough



Tensolite Part Number	Max. VSWR DC - 18.0 GHz
8020CCSF	1.25:1

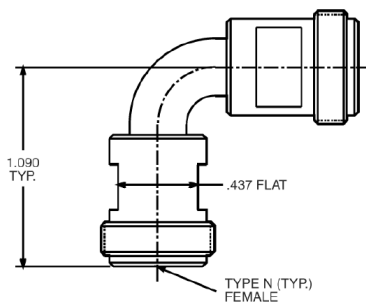
Center conductor is captivated.
Standard finish is passivated.

Type N In Series

Adapters Type N In-Series Adapters

8029CCSF

Right Angle, FE/FE
In-Series Adapter

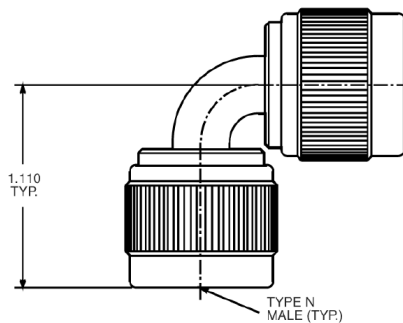
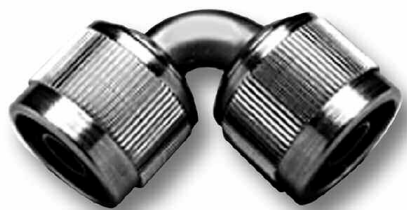


Tensolite Part Number	Max. VSWR DC - 18.0 GHz
8029CCSF	1.20:1

Center conductor is captivated.
Standard finish is passivated.

8028CCSF

Right Angle, MA/MA
In-Series Adapter

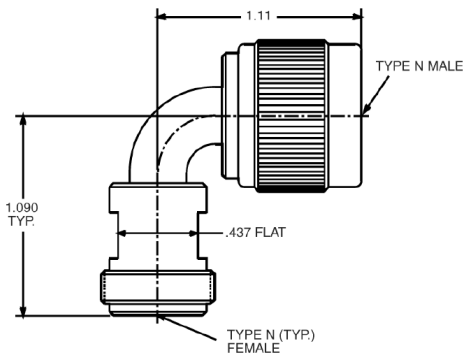


Tensolite Part Number	Max. VSWR DC - 18.0 GHz
8028CCSF	1.20:1

Center conductor is captivated.
Standard finish is passivated.

8030CCSF

Right Angle,
MA/FE In-Series
Adapter



Tensolite Part Number	Max. VSWR DC - 18.0 GHz
8030CCSF	1.20:1

Center conductor is captivated.
Standard finish is passivated.